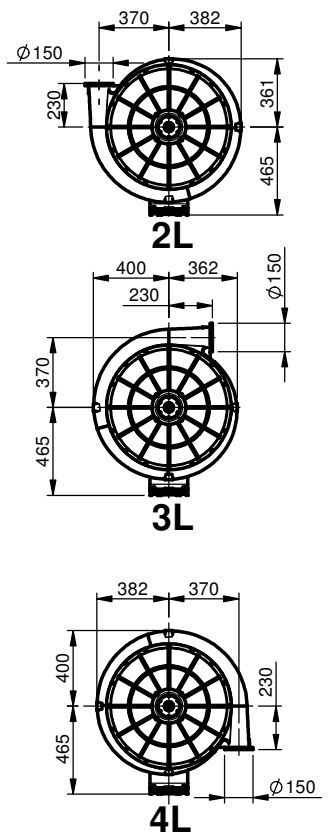
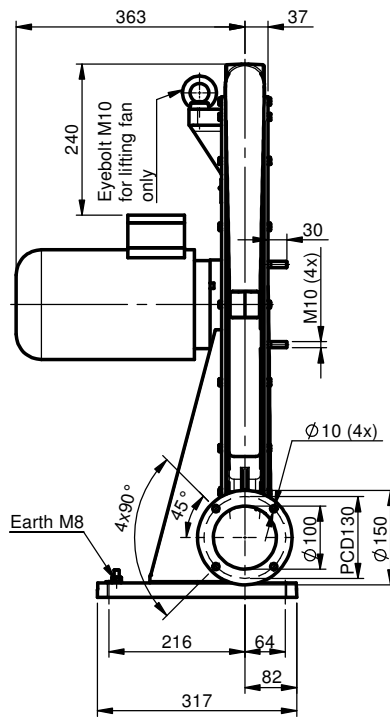
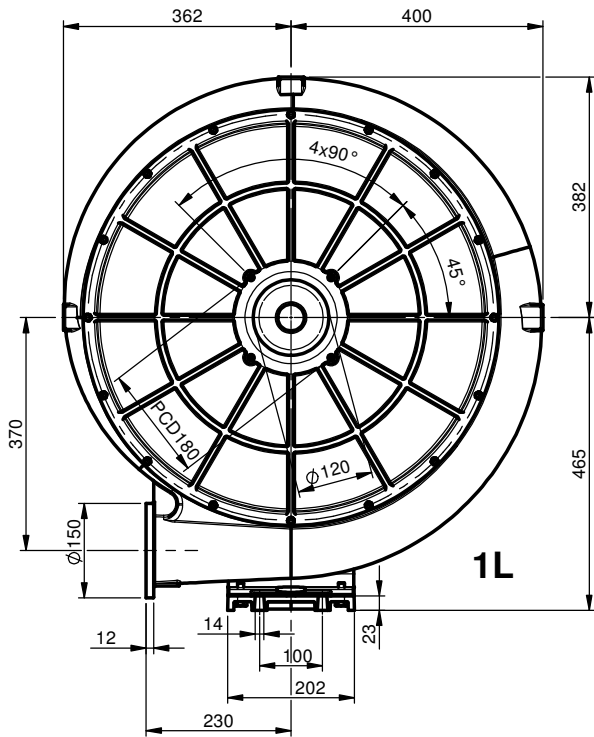



This document is confidential. The copyright is reserved.
 Neither the whole nor any part of this document may be
 disseminated, reproduced, stored in a retrieval system,
 transmitted, or otherwise made available in any form
 (electronic, mechanical, reprographic, recording or otherwise)
 without the prior written consent of the copyright owner.



Fan type : 54DZK601/S2N1
 Part nr. : 702.060
 Fan speed : Approx. 2900 rpm
 Fan Ex class : Ex II 3G IIB c T3 IN/OUT
 Mass : 104 kg
 Remarks :

Motor Type : 5RE90L-2
 Motor power : 1.85 kW
 Motor supply : 400V STAR - 50Hz. - 3ph.
 Motor frame size : IEC 90L - B14A
 Motor Ex class : Ex II 2G EEx-e-II-T3
 Protection : IP55 Cl.-F
 Remarks :

02	-	14-02-2014	Opnieuw getekend in 3D-SW.	AB	
01	-	13-09-2009	Fan protection description: IIB added.	JG	
00					
ISSUE	QTY	DATE	DESCRIPTION	NAME	
PROJECTION		ROUGHNESS SYMBOLS ACC. ISO 1302	GENERAL TOLERANCES ACC. ISO 2768-M	GEOMETRIC TOLERANCE SYMBOLS ACC. ISO 1101	702.060
 Special electric motors and fans			Outline drawing of COMBIMAC centrifugal fan Type 54DZK601/S2N1 SCALE 1:6 DIMS IN mm DRAWN 19-06-2006 HvK CHECKED		
				C.003.666	