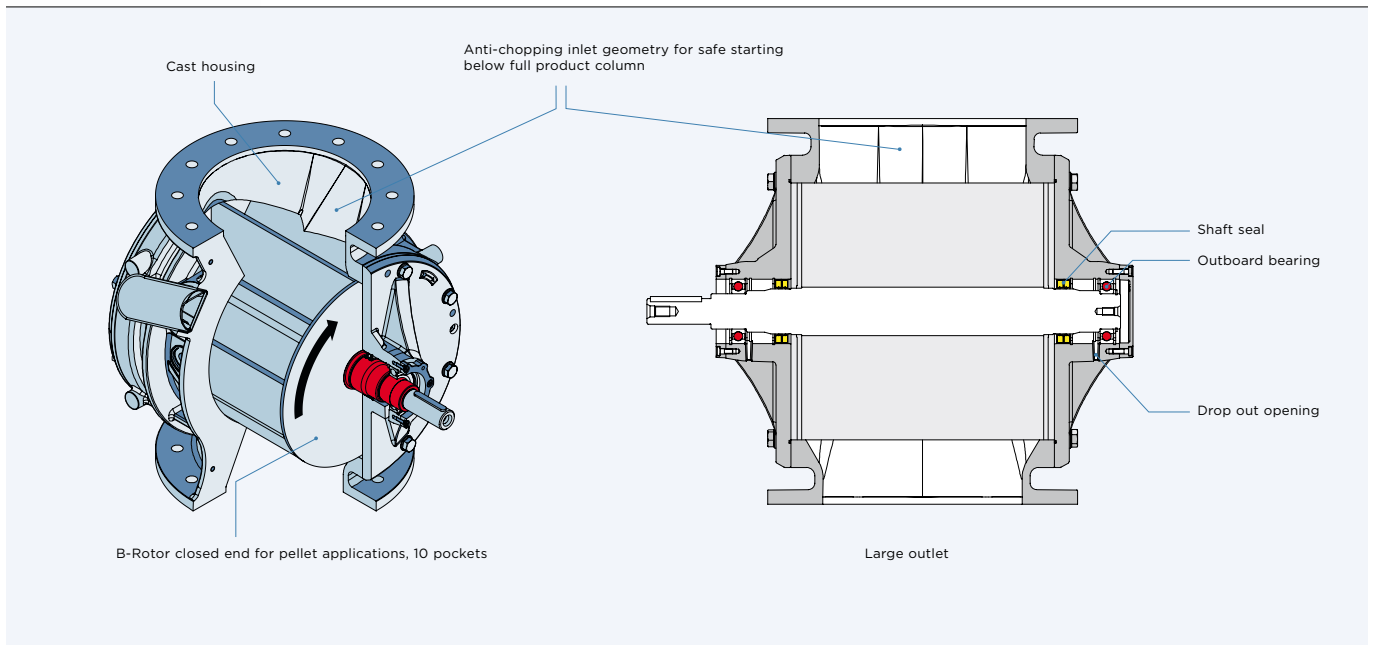


# Rotary Valve ZVB



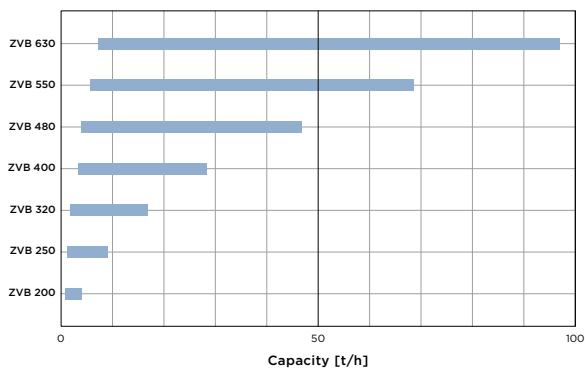
## DISCHARGING VALVE FOR GRANULAR PRODUCTS

- \_ Max. capacity through ideal ratio of rotor volume and inlet cross section
- \_ Special inlet geometry designed for gentle pellet handling
- \_ With feeding shoe also suitable for feeding bulk materials into pneumatic conveying systems at up to 1.5 barg (21 psi)



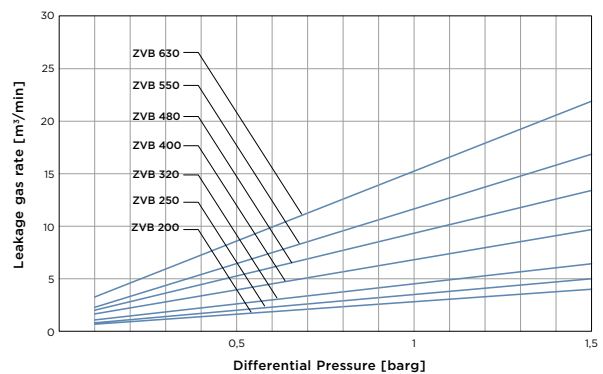
### Performance diagram

PE/PP pellets with bulk density 520 kg/m<sup>3</sup> and particle size 3 mm, Δp = 0.8 barg



### Leakage gas diagram

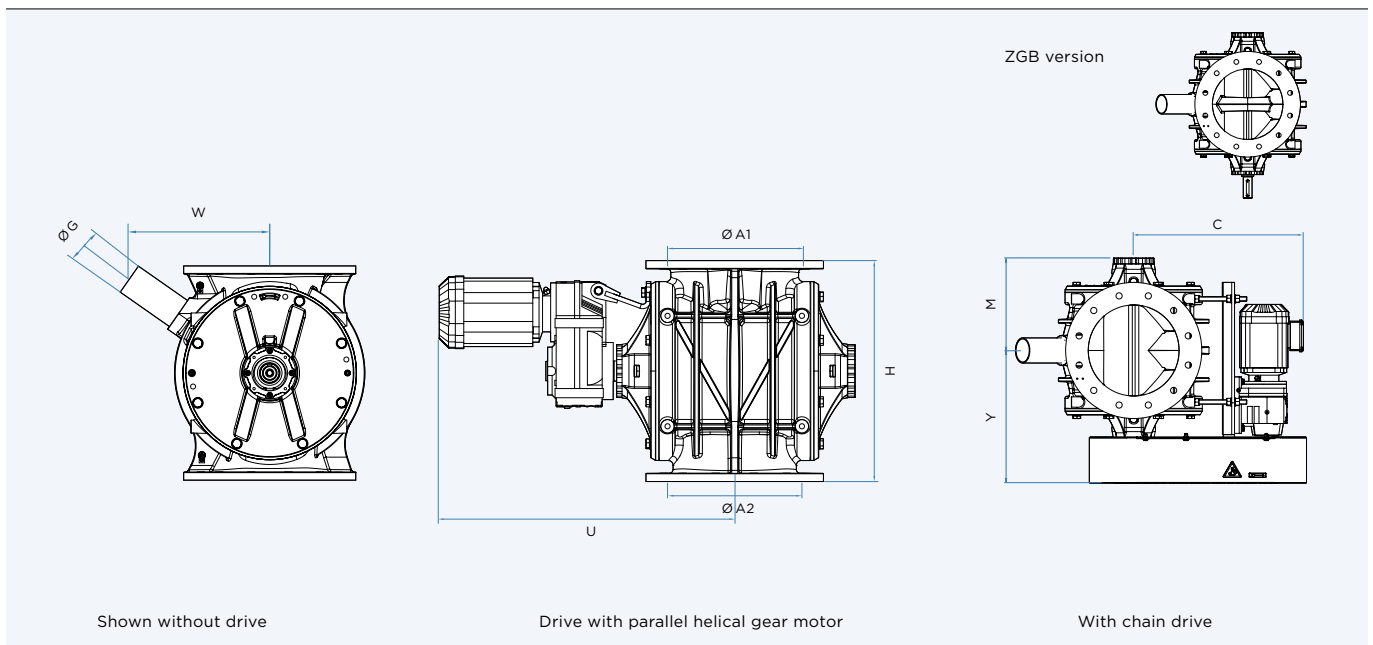
(New, standard clearance 60°C, max. speed)



ROTARY VALVE FOR GRANULAR PRODUCTS | ZVB

**PRESSURE RANGE** 1.5 barg (21 psi) system and differential pressure  
**PRESSURE SURGE PROOF** 10 barg (145 psi), due to heavy duty design  
**ATEX (OPTIONAL)** Usable in Ex-Zones  
**INLET FOR PELLETS** Anti-chopping inlet geometry (patented) for safe starting below full product column  
**CAPACITY** High filling efficiency by internal leakage gas venting

**OPTIONS AND ACCESSORIES**  
 \_ Rotor with shallow pockets  
 \_ ZGB version (pellet deflection)  
 \_ Wear protection  
 \_ High temperature execution (T) up to 250°C



|         | Inlet*/Outlet* |              | Other dimensions |      |                   |     |     |     |     |      |       | Weight*** appr. kg |      |
|---------|----------------|--------------|------------------|------|-------------------|-----|-----|-----|-----|------|-------|--------------------|------|
|         | A1/A2 (DIN)    | A1/A2 (ANSI) | Ø A1             | Ø A2 | H <sup>±0.1</sup> | C** | Y** | W   | M** | U**  | Ø G   | AL                 | SS   |
| ZVB 200 | ND 150         | 6"           | 166              | 155  | 360               | 490 | 328 | 226 | 216 | 350  | 48,3  | 30                 | 48   |
| ZVB 250 | ND 200         | 8"           | 213              | 207  | 450               | 515 | 347 | 278 | 235 | 639  | 60,3  | 35                 | 66   |
| ZVB 320 | ND 250         | 10"          | 272              | 259  | 500               | 635 | 391 | 320 | 282 | 683  | 76,1  | 52                 | 80   |
| ZVB 400 | ND 300         | 12"          | 322              | 310  | 600               | 700 | 470 | 393 | 327 | 760  | 88,9  | 117                | 188  |
| ZVB 480 | ND 350         | 14"          | 360              | 350  | 750               | 755 | 540 | 464 | 372 | 940  | 88,9  | 320                | 480  |
| ZVB 550 | ND 400         | 16"          | 410              | 400  | 850               | 785 | 590 | 537 | 425 | 984  | 108,0 | 414                | 670  |
| ZVB 630 | ND 500         | 20"          | 500              | 480  | 970               | 840 | 670 | 584 | 492 | 1041 | 108,0 | 500                | 1000 |

Dimensions in mm

\* Drilled according to DIN PN 10 or ANSI 150 lbs

\*\* Dimensions are not valid for high temperature executions and may vary depending on installed drive

\*\*\* Without drive