



Adams

Lubricators & Oilers



COLVILARÓ S.A.

DISTRIBUIDOR - IMPORTADOR

RODAMIENTOS, TRANSMISIÓN Y SISTEMAS DE ENGRASE

P.E. Granland - C/ Francesc Teixidó, 10

08918 BADALONA (Barcelona) SPAIN

T. +34 93 459 06 18 FAX +34 93 457 91 99

collvilaro@collvilaro.com - www.collvilaro.com



The Company was founded by George Adams in 1942, who recognised a supply shortage in the local machine tool industry. In 1999 the Company became known as Adams LubeTech Limited and also moved to its present site in the same year.

Today Adams LubeTech has an unrivalled reputation as a manufacturer of single point 'Oilers and Lubricators', exporting to many countries throughout the world.

A comprehensive range of 'Centralized Systems' for machine tool lubrication is also available and a catalogue can be obtained on request.

The Company is registered to quality management system BS EN ISO 9001.



L'entreprise a été fondée en 1942 par George Adams, qui avait remarqué une pénurie de matériel de lubrification au sein de l'industrie locale de la machine-outil. En 1999 la compagnie est devenue notoire comme Adams LubeTech Limité et également déplacé à son site par même année.

Adams LubeTech, qui jouit aujourd'hui d'une réputation sans égale dans la fabrication des 'Lubrificateurs et huileurs' monopoints, exporte dans de nombreux pays de monde.

Il propose également une gamme complète de 'Systèmes centralisés' pour la lubrification des machine-outils. Un catalogue est disponible sur demande.

La société est homologuée selon le systèmes de gestion de la qualité BS EN ISO 9001.



Das Unternehmen wurde 1942 von George Adams gegründet. Er hatte erkannt, dass es in der Werkzeugmaschinenindustrie an geeigneten Schmiereinrichtungen mangelte. 1999 zog die Firma in moderne Räume um und firmiert seitdem als Adams LubeTech Ltd.

Heute genießt Adams LubeTech den Ruf eines Herstellers von Schmiereinrichtungen höchster Qualität für Öl und Fett, dessen Produkte in alle Welt exportiert werden.

Neben den in diesem Katalog gezeigten einfachen Schmiergeräten hat Adams ein umfangreiches Programm von Zentralschmieranlagen. Auf Wunsch senden wir Ihnen gerne den Spezialkatalog.

Die Qualitätssicherung des Unternehmens ist zertifiziert nach BS EN ISO 9001.



Drip Feed Lubricators
3 - 18

Spring Greasers and Cups
19 - 22

Constant Level Oilers
23 - 26

Oil Levels and Windows
27 - 32

Oil Hole Covers and Cups
33 - 36

Grease Nipples
37 - 40

Fittings and Accessories
41 - 44

Grease Guns, Oil Cans
And Funnels
45 - 48

As part of its development process the company reserves the right to modify any product or specification without prior notice.

All sizes, weights and measures are approximate.



Lubrificateurs Goutte à Goutte
3 - 18

Graisseurs Automatiques et
Graisseurs à Réserve
19 - 22

Huilers à Niveau Constant
23 - 26

Niveaux d'Huile et Voyants
27 - 32

Bouchons et Coupelles
33 - 36

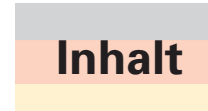
Graisseurs
37 - 40

Barrettes de Graissage et
Accessoires
41 - 44

Pistolets à Graisse, Burettes
et Entonnoirs
45 - 48

Dans le cadre de son processus de développement, la société se réserve le droit de modifier sans préavis ses produits ou leurs caractéristiques.

Les dimensions, poids et mesures mentionnés n'ont qu'une valeur indicative.



Tropföler
3 - 18

Schmierbuchsen und
Stauferbuchsen
19 - 22

Ölstandsregler
(Constant Level Öler)
23 - 26

Ölstandsanzeiger und Öläugen
27 - 32

Klappöler und Kugelöler
33 - 36

Schmiernippel
37 - 40

Schottverschraubungen und
Zubehör
41 - 44

Fettpressen, Ölkannen und
Trichter
45 - 48

Im Rahmen unserer Politik der ständigen Verbesserung behalten wir uns das Recht vor, unsere Produkte ohne vorherige Ankündigung zu ändern.

Alle Maße, Gewichte und Größenangaben sind Näherungswerte.

Adams

Drip Feed Lubricators

Lubrificateurs Goutte à Goutte

Tropföler



Drip Feed Lubricators

A range of gravity and forced feed oilers for lubricating single or multiple points and for use in conjunction with brushes to lubricate conveyor chains. Reservoirs are available in plexiglas or glass and range in capacity from 14 cc to 3 litres. Solenoid operation and timers are optional.

Lubrificateurs Goutte à Goutte

Une gamme de huileurs par gravité pour lubrifier un ou plusieurs points et en conjonction avec des brosses pour la lubrification des chaînes. Les réservoirs d'une capacité de 14 cm³ à 3 litres sont disponibles en plexiglass ou en verre. Ils peuvent être équipés d'une vanne électrique commandée par une minuterie.

Tropföler

Lieferbar sowohl als Schwerkraftsystem als auch als Drucksystem zur Schmierung einzelner oder mehrerer Stellen. Bürsten als Zubehör ermöglichen die Schmierung von Ketten. Vorratsbehälter von 14 ml bis 3l sind lieferbar in Plexiglas oder Glas. Magnetventile und Zeitsteuerungen ermöglichen volle Automatisierung.

MANUAL ON/OFF SINGLE OUTLET Material - BRASS Bottle - GLASS Maximum operating temperature 80°C

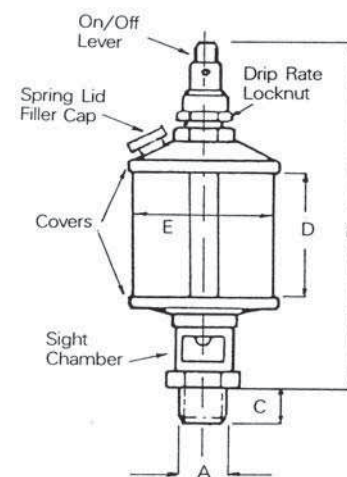
Product Code	A	B mm	C mm	D mm	E mm	Capacity ml
GSF 130	1/8 BSP	97	8	30	30	15
GSFN 130	1/8 NPT					
GSF 230	1/4 BSP					
GSFN 230	1/4 NPT					
GSF 240	1/4 BSP	110	10	36	40	35
GSFN 240	1/4 NPT					
GSF 340	3/8 BSP					
GSFN 340	3/8 NPT					
GSF 250	1/4 BSP	126	10	50	50	80
GSFN 250	1/4 NPT					
GSF350	3/8 BSP					
GSFN 350	3/8 NPT					
GSF 260	1/4 BSP	140	10	60	60	150
GSFN 260	1/4 NPT					
GSF 360	3/8 BSP					
GSFN 360	3/8 NPT					
GSF 460	1/2 BSP	160	10	80	60	200
GSFN 460	1/2 NPT					
GSF 268	1/4 BSP					
GSFN 268	1/4 NPT					
GSF 368	3/8 BSP	185	15	100	80	400
GSFN 368	3/8 NPT					
GSF 468	1/2 BSP					
GSFN 468	1/2 NPT					
GSF 380	3/8 BSP	210	15	120	100	900
GSFN 380	3/8 NPT					
GSF 480	1/2 BSP					
GSFN 480	1/2 NPT					
GSF 4100	1/2 BSP	210	15	120	100	900
GSFN 4100	1/2 NPT					
GSF 5100	3/4 BSP					
GSFN 5100	3/4 NPT					

Seals - FIBRE & NITRILE 80
Finish - NATURAL BRASS



Material - BRASS Bottle - PLEXIGLASS Maximum operating temperature 70°C

Product Code	A	B mm	C mm	D mm	E mm	Capacity ml
PSF 130	1/8 BSP	97	8	30	30	15
PSFN 130	1/8 NPT					
PSF 230	1/4 BSP					
PSFN 230	1/4 NPT					
PSF 240	1/4 BSP	110	10	36	40	35
PSFN 240	1/4 NPT					
PSF 340	3/8 BSP					
PSFN 340	3/8 NPT					
PSF 250	1/4 BSP	126	10	50	50	80
PSFN 250	1/4 NPT					
PSF 350	3/8 BSP					
PSFN 350	3/8 NPT					
PSF 260	1/4 BSP	140	10	60	60	150
PSFN 260	1/4 NPT					
PSF 360	3/8 BSP					
PSFN 360	3/8 NPT					
PSF 460	1/2 BSP	160	10	80	60	200
PSFN 460	1/2 NPT					
PSF 268	1/4 BSP					
PSFN 268	1/4 NPT					
PSF 368	3/8 BSP	185	15	100	80	400
PSFN 368	3/8 NPT					
PSF 468	1/2 BSP					
PSFN 468	1/2 NPT					
PSF 380	3/8 BSP	210	15	120	100	900
PSFN 380	3/8 NPT					
PSF 480	1/2 BSP					
PSFN 480	1/2 NPT					
PSF 4100	1/2 BSP	210	15	120	100	900
PSFN 4100	1/2 NPT					
PSF 5100	3/4 BSP					
PSFN 5100	3/4 NPT					



These oilers have shut-off control and needle valve oil feed adjustment. A sight chamber is provided to check the oil flow drip rate

SPARE GLASSES AVAILABLE

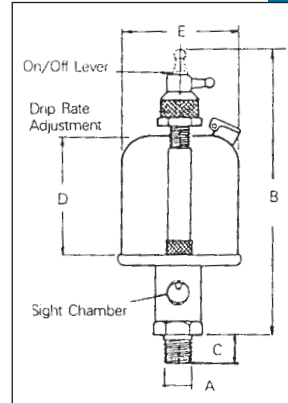
To order Plexiglas use Ref PB plus diameter.
To order Glass use Ref GB plus diameter.

i.e. PB 80 Plexiglas bottle 80mm diameter.

MANUAL ON/OFF SINGLE OUTLET

Material - STEEL Finish - NICKEL Sight Chamber - ALUMINIUM Bottle - PLASTIC
 Seals - STENCORRA Maximum operating temperature: 65° C

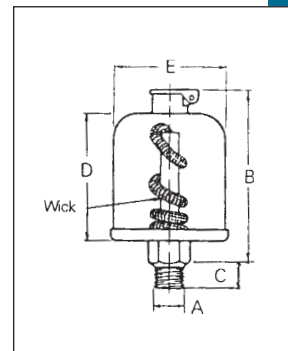
Product Code	A	B	C	D	E	Capacity ml
USF 7402	1/8 BSP	102	10	38	32	21
USFN 7402	1/8 NPT					
USF 7403	1/4 BSP	102	11	38	32	21
USFN 7403	1/4 NPT					
USF 7409	1/8 BSP	111	10	48	38	42
USFN 7409	1/8 NPT					
USF 7410	1/4 BSP	111	11	48	38	42
USFN 7410	1/4 NPT					
USF 7416	1/8 BSP	121	10	54	44	70
USFN 7416	1/8 NPT					
USF 7417	1/4 BSP	121	11	54	44	70
USFN 7417	1/4 NPT					
USF 7424	1/4 BSP	134	13	60	51	98
USFN 7424	1/4 NPT					
USF 7431	1/4 BSP	140	13	64	57	140
USFN 7431	1/4 NPT					
USF 7432	3/8 BSP	140	14	64	57	140
USFN 7432	3/8 NPT					
USF 7438	1/4 BSP	144	13	70	64	182
USFN 7438	1/4 NPT					
USF 7439	3/8 BSP	144	14	70	64	182
USFN 7439	3/8 NPT					



WICK FEED SINGLE OUTLET

Material - STEEL Finish - ZINC Bottle - PLASTIC
 Maximum operating temperature 65°C

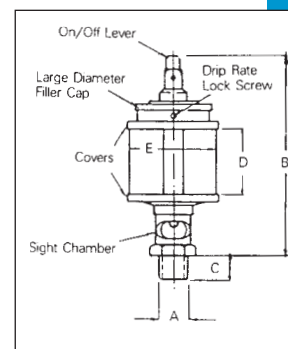
Product Code	A	B	C	D	E	Capacity ml
SWF 7701	1/8 BSP	55	8	37	32	17
SWFN 7701	1/8 NPT					
SWF 7706	1/8 BSP	65	8	47	38	35
SWFN 7706	1/8 NPT					
SWF 7712	1/4 BSP	75	13	53	44	63
SWFN 7712	1/4 NPT					
SWN 7717	1/4 BSP	81	13	59	50	84
SWFN 7717	1/4 NPT					



MANUAL ON/OFF SINGLE OUTLET - LARGE FILLER

Material - BRASS Bottle - GLASS. Seals - FIBRE & NITRILE 80
 Maximum operating temperature: 80°C Finish - NATURAL BRASS

Product Code	A	B	C	D	E	Capacity ml
GSL 130	1/8 BSP	88	8	30	30	15
GSLN 130	1/8 NPT					
GSL 230	1/4 BSP	119	10	50	50	80
GSLN 230	1/4 NPT					
GSL 250	1/4 BSP	129	10	60	60	150
GSLN 250	1/4 NPT					
GSL 350	3/8 BSP	149	10	80	60	200
GSLN 350	3/8 NPT					
GSL 260	1/4 BSP	185	16	100	80	400
GSLN 260	1/4 NPT					
GSL 360	3/8 BSP	185	16	100	80	400
GSLN 360	3/8 NPT					
GSL 268	1/4 BSP	185	16	100	80	400
GSLN 268	1/4 NPT					
GSL 368	3/8 BSP	185	16	100	80	400
GSLN 368	3/8 NPT					
GSL 380	3/8 BSP	185	16	100	80	400
GSLN 380	3/8 NPT					
GSL 480	1/2 BSP	185	16	100	80	400
GSLN 480	1/2 NPT					



These oilers have shut-off control and needle valve oil feed adjustment. A sight chamber is provided to check the oil flow drip rate

MANUAL ON/OFF SINGLE OUTLET - LARGE FILLER/continued

Material - BRASS Bottle - GLASS

Product Code	A	B mm	C mm	D mm	E mm	Capacity ml
*GSL 4100	1/2 BSP	208	16	120	100	900
*GSLN 4100	1/2 NPT					
*GSL 5100	3/4 BSP	250	16	150	130	1900
*GSLN 5100	3/4 NPT					
*GSL 4150	1/2 BSP	280	16	180	150	3000
*GSLN 4150	1/2 NPT					
*GSL 5150	3/4 BSP					
*GSLN 5150	3/4 NPT					

*Available with low level switch, add suffix "FS" to product code.

Material - BRASS Bottle - PLEXIGLASS

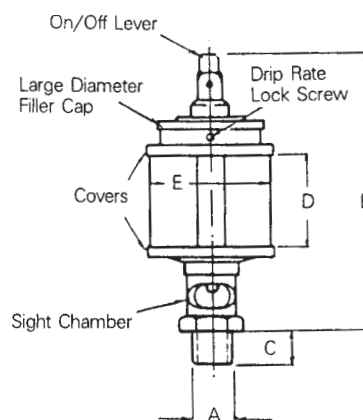
Seals - FIBRE & NITRILE 80

Maximum operating temperature: 70°C

Finish - NATURAL BRASS

Product Code	A	B mm	C mm	D mm	E mm	Capacity ml
PSL 130	1/8 BSP	88	8	30	30	15
PSLN 130	1/8 NPT					
PSL 230	1/4 BSP	111	10	40	40	35
PSLN 230	1/4 NPT					
PSL 240	1/4 BSP	119	10	50	50	80
PSLN 240	1/4 NPT					
PSL 340	3/8 BSP	129	10	60	60	150
PSLN 340	3/8 NPT					
PSL 250	1/4 BSP	149	10	80	60	200
PSLN 250	1/4 NPT					
PSL 350	3/8 BSP	185	16	100	80	400
PSLN 350	3/8 NPT					
PSL 260	1/4 BSP	208	16	120	100	900
PSLN 260	1/4 NPT					
PSL 360	3/8 BSP	250	16	150	130	1900
PSLN 360	3/8 NPT					
PSL 268	1/4 BSP	280	16	180	150	3000
PSLN 268	1/4 NPT					
PSL 368	3/8 BSP					
PSLN 368	3/8 NPT					
PSL 380	3/8 BSP					
PSLN 380	3/8 NPT					
PSL 480	1/2 BSP					
PSLN 480	1/2 NPT					
*PSL 4100	1/2 BSP					
*PSLN 4100	1/2 NPT					
*PSL 5100	3/4 BSP					
*PSLN 5100	3/4 NPT					
*PSL 4133	1/2 BSP					
*PSLN 4133	1/2 NPT					
*PSL 5133	3/4 BSP					
*PSLN 5133	3/4 NPT					
*PSL 4150	1/2 BSP					
*PSLN 4150	1/2 NPT					
*PSL 5150	3/4 BSP					
*PSLN 5150	3/4 NPT					

*Available with low level switch, add suffix "FS" to product code.



These oilers have shut-off control and needle valve oil feed adjustment. A sight chamber is provided to check the oil flow drip rate

SPARE GLASSES AVAILABLE

To order Plexiglas use Ref PB plus diameter.

To order Glass use Ref GB plus diameter.

i.e. PB 80 Plexiglas bottle 80mm diameter.

SOLENOID OPERATED SINGLE OUTLET

Materials: Covers - BRASS Bottle - GLASS Finish - NICKEL
 Seals - FIBRE & NITRILE 80 Maximum operating temperature: 80°C
 Electrical rating: 12VA IP 20 (DIN 40050)

Product Code	A	F	B mm	C mm	D mm	E mm	Capacity ml
GSD 460	1/2 BSP	1/4 BSP	150	15	60	60	140
GSDN 460	1/2 NPT	1/4 NPT					
GSD 468	1/2 BSP	1/4 BSP	185	15	80	60	200
GSDN 468	1/2 NPT	1/4 NPT					
GSD 480	1/2 BSP	1/4 BSP	210	15	100	80	400
GSDN 480	1/2 NPT	1/4 NPT					
GSD 4100	1/2 BSP	1/4 BSP	250	15	120	100	900
GSDN 4100	1/2 NPT	1/4 NPT					
GSD 4133	1/2 BSP	1/4 BSP	285	15	150	133	1900
GSDN 4133	1/2 NPT	1/4 NPT					
GSD 4150	1/2 BSP	1/4 BSP	315	15	180	150	3000
GSDN 4150	1/2 NPT	1/4 NPT					

Voltages available: 12V DC, 24V DC, 24V AC, 110V 50Hz, 230V 50Hz, 415V 50Hz
 When ordering, please state voltage required.

Materials: Covers - BRASS Bottle - PLEXIGLAS Finish - NICKEL

Seals - FIBRE & NITRILE 80 Maximum operating temperature 70°C
 Electrical rating 12VA IP20 (DIN 40050)

Product Code	A	F	B mm	C mm	D mm	E mm	Capacity ml
PSD 460	1/2 BSP	1/4 BSP	150	15	60	60	140
PSDN 460	1/2 NPT	1/4 NPT					
PSD 468	1/2 BSP	1/4 BSP	185	15	80	60	200
PSDN 468	1/2 NPT	1/4 NPT					
PSD 480	1/2 BSP	1/4 BSP	210	15	100	80	400
PSDN 480	1/2 NPT	1/4 NPT					
PSD 4100	1/2 BSP	1/4 BSP	250	15	120	100	900
PSDN 4100	1/2 NPT	1/4 NPT					
PSD 4133	1/2 BSP	1/4 BSP	285	15	150	133	1900
PSDN 4133	1/2 NPT	1/4 NPT					
PSD 4150	1/2 BSP	1/4 BSP	315	15	180	150	3000
PSDN 4150	1/2 NPT	1/4 NPT					

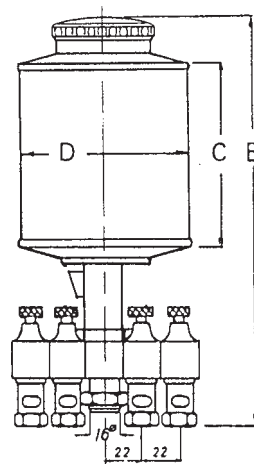
Voltages available: 12V DC, 24V DC, 24V AC, 110V 50Hz, 230V 50Hz, 415V 50Hz
 When ordering, please state voltage required. Timer for use with GSD/PSD shown on page 15

The multiple drip feed lubricator models GTM, PTM, GET and PET are available with a range of 2 to 24 distribution outlets. This permits the make up of simple and cost effective centralized lubrication systems.

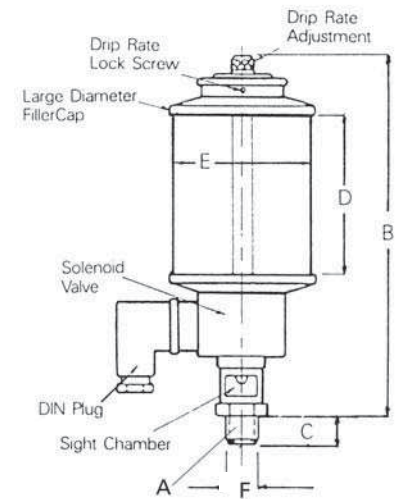
MANUAL ON/OFF MULTI-OUTLET with 2 outlets

Material - BRASS Bottle - GLASS Finish - NICKEL/BRASS
 Seals - FIBRE & NITRILE 80 Maximum operating temperature: 80°C

Product Code	A	B mm	C mm	D mm	Capacity ml
GTM 160	1/8 BSP	160	60	60	140
GTMN 160	1/8 NPT				
GTM 168	1/8 BSP	180	80	60	200
GTMN 168	1/8 NPT				
GTM 180	1/8 BSP	220	100	80	400
GTMN 180	1/8 NPT				
*GTM 1100	1/8 BSP	260	120	100	900
*GTMN 1100	1/8 NPT				
*GTM 1133	1/8 BSP	305	150	133	1900
*GTMN 1133	1/8 NPT				
*GTM 1150	1/8 BSP	335	180	150	3000
*GTMN 1150	1/8 NPT				



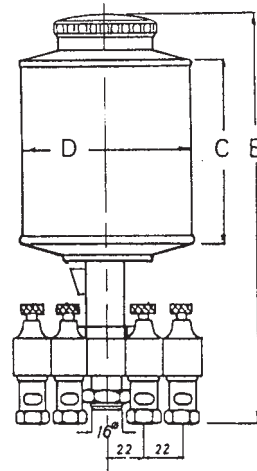
* Available with low level switch, add suffix "FS" to product code.
 When ordering, please state quantity if more than 2 distribution outlets are required.



MANUAL ON/OFF MULTI-OUTLET with 2 outlets/continued

Material - BRASS Bottle - PLEXIGLAS Seals - FIBRE & NITRILE 80 Finish - NICKEL/BRASS
 Maximum operating temperature 70°C

Product Code	A	B mm	C mm	D mm	Capacity ml
PTM 160	1/8 BSP				
PTMN 160	1/8 NPT	160	60	60	140
PTM 168	1/8 BSP				
PTMN 168	1/8 NPT	180	80	60	200
PTM 180	1/8 BSP				
PTMN 180	1/8 NPT	220	100	80	400
*PTM 1100	1/8 BSP				
*PTMN 1100	1/8 NPT	260	120	100	900
*PTM 1133	1/8 BSP				
*PTMN 1133	1/8 NPT	305	150	133	1900
*PTM 1150	1/8 BSP				
*PTMN 1150	1/8 NPT	335	180	150	3000



* Available with low level switch, add suffix "FS" to product code.
 Please state quantity if more than 2 distribution outlets are required.

SOLENOID OPERATED MULTI-OUTLET with 2 outlets

Material - BRASS Bottle - GLASS Seals - FIBRE & NITRILE 80 Finish - NICKEL/BRASS
 Maximum operating temperature: 80°C

Product Code	A	B mm	C mm	D mm	Capacity ml
GET 160	1/8 BSP				
GETN 160	1/8 NPT	175	60	60	140
GET 168	1/8 BSP				
GETN 168	1/8 NPT	195	80	60	200
GET 180	1/8 BSP				
GETN 180	1/8 NPT	235	100	80	400
*GET 1100	1/8 BSP				
*GETN 1100	1/8 NPT	275	120	100	900
*GET 1133	1/8 BSP				
*GETN 1133	1/8 NPT	320	150	133	1900
*GET 1150	1/8 BSP				
*GETN 1150	1/8 NPT	350	180	150	3000



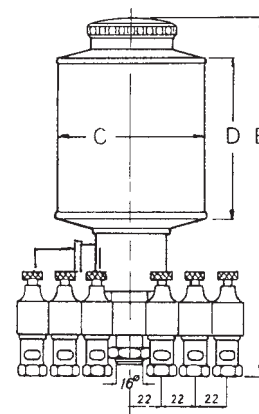
Voltagages available: 12V DC, 24V DC, 24V AC, 110V 50Hz, 230V 50Hz, 415V 50Hz
 When ordering, please state voltage and number of outlets if more than 2 are required.

* Available with low level switch, add suffix "FS" to product code.

Material - BRASS Bottle - PLEXIGLASS

Seals - FIBRE & NITRILE 80 Maximum operating temperature 70°C
 Finish - NICKEL PLATED COVERS

Product Code	A	B mm	C mm	D mm	Capacity ml
PET 160	1/8 BSP				
PETN 160	1/8 NPT	175	60	60	140
PET 168	1/8 BSP				
PETN 168	1/8 NPT	195	80	60	200
PET 180	1/8 BSP				
PETN 180	1/8 NPT	235	100	80	400
*PET 1100	1/8 BSP				
*PETN 1100	1/8 NPT	275	120	100	900
*PET 1133	1/8 BSP				
*PETN 1133	1/8 NPT	320	150	133	1900
*PET 1150	1/8 BSP				
*PETN 1150	1/8 NPT	350	180	150	3000

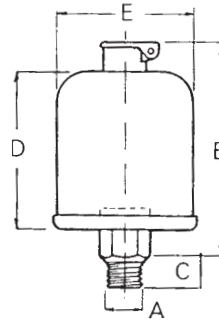


Voltagages available: 12V DC, 24V DC, 24V AC, 110V 50Hz, 230V 50Hz, 415V 50Hz
 When ordering, please state voltage and number of outlets if more than 2 are required.

* Available with low level switch, add suffix "FS" to product code. Timer for use with GET/PET shown on page 15.

OIL RESERVOIR with surge arrester

Material - STEEL Bottle - PLASTIC Finish - ZINC
 Maximum operating temperature 65°C



Product Code	A	B mm	C mm	D mm	E mm	Capacity ml
OR 7708	1/4 BSP					
ORN 7708	1/4 NPT	62	12	45	38	35
OR 7714	1/4 BSP					
ORN 7714	1/4 NPT	77	12	54	44	63
OR 7724	1/4 BSP					
ORN 7724	1/4 NPT	86	12	63	57	127
OR 7730	1/4 BSP					
ORN 7730	1/4 NPT	93	12	69	64	170

OIL RESERVOIR

Material - BRASS Bottle - GLASS Finish - NICKEL
 Seals - FIBRE & NITRILE 80 Maximum operating temperature: 80°C

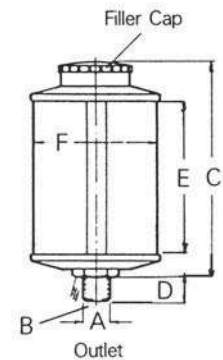


Product Code	A	B mm	C mm	D mm	E mm	F mm	Capacity ml
GRE 260	1/4 BSP	---					
GREN 260	1/4 NPT	---	99	14	60	60	140
GRE 360	3/8 BSP	---					
GREN 360	3/8 NPT	---					
GRE 268	1/4 BSP	---					
GREN 268	1/4 NPT	---	119	14	80	60	200
GRE 368	3/8 BSP	---					
GREN 368	3/8 NPT	---					
GRE 280	1/4 BSP	---					
GREN 280	1/4 NPT	---	148	14	100	80	400
GRE 380	3/8 BSP	---					
GREN 380	3/8 NPT	---					
*GRE 2100	1/4 BSP	---					
*GREN 2100	1/4 NPT	---					
*GRE 3100	3/8 BSP	---	175	14	120	100	900
*GREN 3100	3/8 NPT	---					
*GRE 4100	1/2 BSP	1/4 BSP					
*GREN 4100	1/2 NPT	1/4 NPT					
*GRE 2133	1/4 BSP	---					
*GREN 2133	1/4 NPT	---					
*GRE 3133	3/8 BSP	---	215	14	150	133	1900
*GREN 3133	3/8 NPT	---					
*GRE 4133	1/2 BSP	1/4 BSP					
*GREN 4133	1/2 NPT	1/4 NPT					
*GRE 2150	1/4 BSP	---					
*GREN 2150	1/4 NPT	---					
*GRE 3150	3/8 BSP	---	250	14	180	150	3000
*GREN 3150	3/8 NPT	---					
*GRE 4150	1/2 BSP	1/4 BSP					
*GREN 4150	1/2 NPT	1/4 NPT					

* Available with low level switch. If required, add suffix "FS" to product code.

Material - BRASS Bottle - PLEXIGLAS Finish - NICKEL

Seals - FIBRE & NITRILE 80 Maximum operating temperature: 70°C



Product Code	A	B mm	C mm	D mm	E mm	F mm	Capacity ml
PRE 260	1/4 BSP	---					
PREN 260	1/4 NPT	---	99	14	60	60	140
PRE 360	3/8 BSP	---					
PREN 360	3/8 NPT	---					
PRE 268	1/4 BSP	---					
PREN 268	1/4 NPT	---	119	14	80	60	200
PRE 368	3/8 BSP	---					
PREN 368	3/8 NPT	---					

OIL RESERVOIR/ continued

Material - BRASS Bottle - PLEXIGLAS Finish - NICKEL

Product Code	A	B	C mm	D mm	E mm	F mm	Capacity ml
PRE 280	1/4 BSP	---	148	14	100	80	400
PREN 280	1/4 NPT	---					
PRE 380	3/8 BSP	---	175	14	120	100	900
PREN 380	3/8 NPT	---					
*PRE 2100	1/4 BSP	---	215	14	150	133	1900
*PREN 2100	1/4 NPT	---					
*PRE 3100	3/8 BSP	---	250	14	180	150	3000
*PREN 3100	3/8 NPT	---					
*PRE 4100	1/2 BSP	1/4 BSP	---	---	---	---	---
*PREN 4100	1/2 NPT	1/4 NPT					
*PRE 2133	1/4 BSP	---	---	---	---	---	---
*PREN 2133	1/4 NPT	---					
*PRE 3133	3/8 BSP	---	---	---	---	---	---
*PREN 3133	3/8 NPT	---					
*PRE 4133	1/2 BSP	1/4 BSP	---	---	---	---	---
*PREN 4133	1/2 NPT	1/4 NPT					
*PRE 2150	1/4 BSP	---	---	---	---	---	---
*PREN 2150	1/4 NPT	---					
*PRE 3150	3/8 BSP	---	---	---	---	---	---
*PREN 3150	3/8 NPT	---					
*PRE 4150	1/2 BSP	1/4 BSP	---	---	---	---	---
*PREN 4150	1/2 NPT	1/4 NPT					

* Available with low level switch. If required add suffix "FS" to product code.

OIL RESERVOIRS - MANUAL ON/OFF

Material - BRASS Bottle - GLASS Finish - NICKEL

Seals - FIBRE & NITRILE 80 Maximum operating temperature: 80°C

Product Code	A	B mm	C mm	D mm	E mm	Capacity ml
GOS 260	1/4 BSP	150	14	60	60	140
GOSN 260	1/4 NPT					
GOS 268	1/4 BSP	170	14	80	60	200
GOSN 268	1/4 NPT					
GOS 280	1/4 BSP	210	14	100	80	400
GOSN 280	1/4 NPT					
*GOS 2100	1/4 BSP	250	14	120	100	900
*GOSN 2100	1/4 NPT					
*GOS 2133	1/4 BSP	295	14	150	133	1900
*GOSN 2133	1/4 NPT					
*GOS 2150	1/4 BSP	325	14	180	150	3000
*GOSN 2150	1/4 NPT					

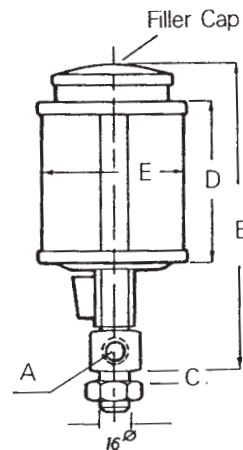
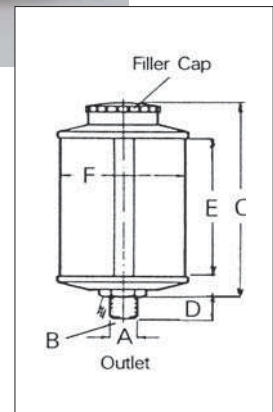
* Available with low level switch. If required add suffix "FS" to product code.

Material - BRASS Bottle - PLEXIGLAS Finish - NICKEL

Seals - FIBRE & NITRILE 80 Maximum operating temperature: 70°C

Product Code	A	B mm	C mm	D mm	E mm	Capacity ml
POS 260	1/4 BSP	150	14	60	60	140
POSN 260	1/4 NPT					
POS 268	1/4 BSP	170	14	80	60	200
POSN 268	1/4 NPT					
POS 280	1/4 BSP	210	14	100	80	400
POSN 280	1/4 NPT					
*POS 2100	1/4 BSP	250	14	120	100	900
*POSN 2100	1/4 NPT					
*POS 2133	1/4 BSP	295	14	150	133	1900
*POSN 2133	1/4 NPT					
*POS 2150	1/4 BSP	325	14	180	150	3000
*POSN 2150	1/4 NPT					

* Available with low level switch. If required add suffix "FS" to product code.



SOLENOID OPERATED - OIL RESERVOIRS

Material - BRASS Bottle - GLASS Finish - NICKEL

Seals - FIBRE & NITRILE 80

Maximum operating temperature: 80°C

Electrical rating: 14VA IP20 (DIN400 50)

Product Code	A	B mm	C mm	D mm	E mm	Capacity ml
GRS 260	1/4 BSP					
GRSN 260	1/4 NPT	160	25	60	60	140
GRS 268	1/4 BSP					
GRSN 268	1/4 NPT	190	25	80	60	200
GRS 280	1/4 BSP					
GRSN 280	1/4 NPT	220	25	100	80	400
GRS 2100	1/4 BSP					
GRSN 2100	1/4 NPT	250	25	120	100	900
GRS 2133	1/4 BSP					
GRSN 2133	1/4 NPT	295	25	150	133	1900
GRS 2150	1/4 BSP					
GRSN 2150	1/4 NPT	325	25	180	150	3000

The following voltages are available:

12V DC, 24V DC, 24V AC, 110V 50Hz, 230V 50Hz, 415V 50Hz

When ordering, please state voltage required.

Material - BRASS Bottle - PLEXIGLAS Finish - NICKEL

Seals - FIBRE & NITRILE 80

Maximum operating temperature: 70°C

Electrical rating: 14VA IP20 (DIN 400 50)

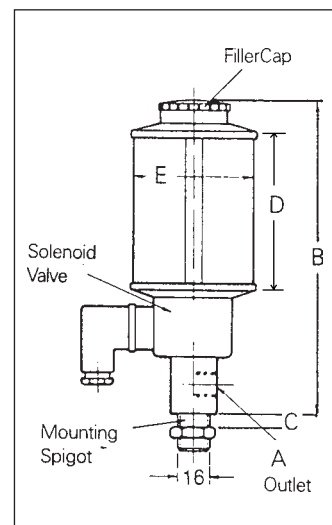
Product Code	A	B mm	C mm	D mm	E mm	Capacity ml
PRS 260	1/4 BSP					
PRSN 260	1/4 NPT	160	25	60	60	140
PRS 268	1/4 BSP					
PRSN 268	1/4 NPT	190	25	80	60	200
PRS 280	1/4 BSP					
PRSN 280	1/4 NPT	220	25	100	80	400
PRS 2100	1/4 BSP					
PRSN 2100	1/4 NPT	250	25	120	100	900
PRS 2133	1/4 BSP					
PRSN 2133	1/4 NPT	295	25	150	133	1900
PRS 2150	1/4 BSP					
PRSN 2150	1/4 NPT	325	25	180	150	3000

Timer for use with GRS/PRS shown on page number 15

The following voltages are available:

12V DC, 24V DC, 24V AC, 110V 50Hz, 230V 50Hz, 415V 50Hz

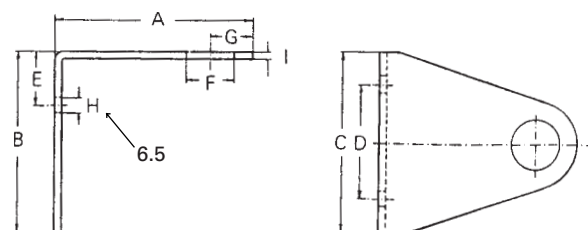
When ordering, please state voltage required.



MOUNTING BRACKET - To suit most drip feed lubricators

Product Code	A mm	B mm	C mm	D mm	E mm	F mm	G mm	I mm
MWI 90	90	80	80	50	25	21	20	3
MWI120	120	80	80	50	25	21	20	3

Material - STEEL. Finish - ZINC PLATED

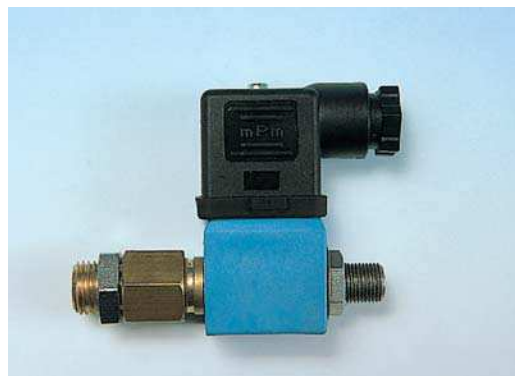


STANDARD FIXING THREAD M16x1.5

PUMP ONLY

This self priming electromagnetic pump has been designed for intermittently operated single line lubrication systems using light to medium machine and chain oils. The electric pump can be controlled by an existing machine control or by our LVT series timer.

Maximum Pressure: 1.5 bar, at approx 10 Mtrs
 Output: 21 cc/min
 Electrical rating: 18.5W IP65
 Maximum temperature: 40°C
 Inlet thread: 1/8" BSP Male
 Outlet thread: 1/8" BSP Female



Material - BRASS - PLASTIC
 Finish - NATURAL BRASS

Product Code	A BSP	B mm	C mm	D mm	E BSP	F mm	G mm	H BSP
EPT 200	1/8"	69	58	22	1/4"	10	12	1/8"

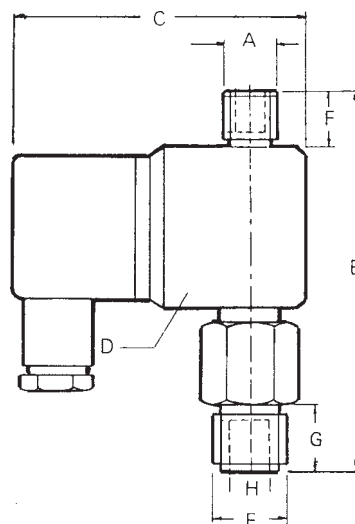
The following voltages are available: 24V 50HZ, 42V 50HZ, 48V 50HZ, 110V 50HZ, 220V 50HZ, 220V 60HZ. When ordering please state voltage required.

The pump EPT is for INTERMITTENT use only.

The following operating instructions should be followed.

CONTINUOUS, INTERMITTENT AND SHORT TIME DUTY:
 (On-time 0.5, sec to max 90, sec).
 Within this range, a continuous signal is ensured provided that the OFF time is equal to the ON time. For example: 60, sec ON and 60, sec OFF.

SHORT TIME DUTY: (On-time 90, sec to max 150, sec).
 Within this range the OFF time must be twice as long as the ON time. For example: 120, sec ON and 240, sec OFF.



For the flexible lead to connect EPT 200 pump to the control timer LVT series order product code: LVT 10780/100

COMBINED PUMP, REGULATOR AND RESERVOIR

Centralized Lubrication Units, Models GPO and PPO, have been designed for intermittently operated single line lubrication systems using light to medium machine and chain oils.

The electromagnetic pump can be controlled by an existing machine control or by our LVT series timer with an adaptor.

Maximum Pressure: 1.5 bar, at approx 10 Mtrs

Output: 21 cc/min

Electrical rating: 18.5W IP65

Maximum temperature: 40°C

Mounting thread M16 supplied with locknut

Outlet thread: 1/8" BSP Female

Material - BRASS/ALUMINIUM Bottle - GLASS

Finish - NICKEL PLATED COVERS/NATURAL BRASS

Product Code	A mm	B mm	C mm	D mm	E mm	F mm	Capacity ml
GPO 500	180	100	80	66	22	121	400
GPO 1000	200	120	100				900
GPO 2000	235	150	133				1900
GPO 3000	300	180	150				3000

Material - BRASS/ALUMINIUM Bottle - PLEXIGLAS

Finish - NICKEL PLATED COVERS - NATURAL BRASS

Product Code	A mm	B mm	C mm	D mm	E mm	F mm	Capacity ml
PPO 500	180	100	80	66	22	121	400
PPO 1000	200	120	100				900
PPO 2000	235	150	133				1900
PPO 3000	300	180	150				3000

The following voltages are available:

24V AC, 110V 50HZ, 230V 50HZ, 415V 50HZ.

When ordering please state voltage required.

Available with Low Level switch, add suffix "FS" to product code.

The electromagnetic pumps fitted to GPO and PPO are for INTERMITTENT use only.

The following operating instructions should be followed.

CONTINUOUS, INTERMITTENT AND SHORT TIME DUTY:

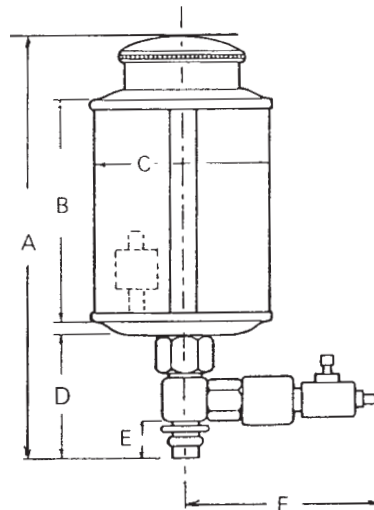
(On-time 0.5, sec to max 90, sec).

Within this range, a continuous signal is ensured provided that the OFF time is equal to the ON time.

For example: 60, sec ON and 60, sec OFF.

SHORT TIME DUTY: (On-time 90, sec to max 150, sec).

Within this range the OFF time must be twice as long as the ON time. For example: 120, sec ON and 240, sec OFF.



SPARE GLASSES AVAILABLE

To order Plexiglas use Ref PB plus diameter.

To order Glass use Ref GB plus diameter.

i.e. PB 150 Plexiglas bottle 150mm diameter.

COMBINED PUMP, REGULATOR AND RESERVOIR

Centralized Lubrication Units Model APO has been designed for intermittently operated single line lubrication systems using light to medium machine and chain oils. The electromagnetic pump can be controlled by an existing machine control or by our LVT series timer with an adaptor.

Maximum Pressure: 1.5 bar, at approx 10 Mtrs
 Output: 21 cc/min
 Electrical rating: 18.5W IP65
 Maximum temperature: 40°C
 Mounting thread M16 supplied with locknut
 Outlet thread: 1/8" BSP Female



Material - ALUMINIUM/BRASS/PLASTIC
 Finish - PAINTED GREY - NATURAL BRASS

Product Code	A mm	B mm	C mm	D mm	E mm	F mm	G mm	H mm	Capacity ml
APO 5000	250	165	155	230	325	215	20	40	5000

Material - STEEL/BRASS/PLASTIC
 Finish - PAINTED GREY - NATURAL BRASS

Product Code	A mm	B mm	C mm	D mm	E mm	F mm	G mm	H mm	Capacity ml
APO 9000	365	185	173	250	345	333	18	41	9000

The following voltages are available:
 24V 50HZ, 42V 50HZ, 48V 50HZ, 110V 50HZ, 110V 60HZ, 220V 50HZ, 220V 60HZ
 When ordering please state voltage required.

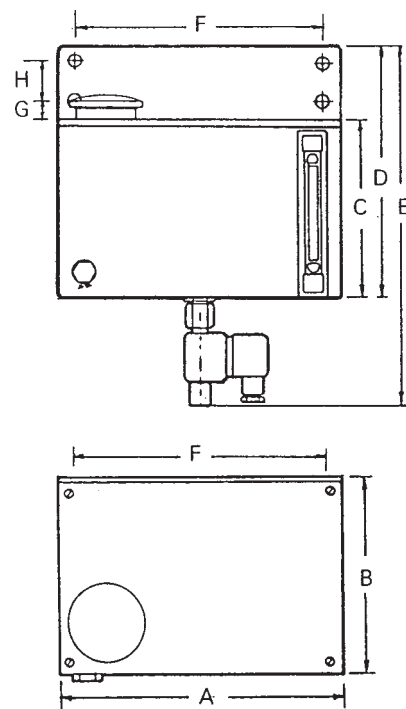
Available with Low Level switch, add suffix "FS" to product code.

The electromagnetic pumps fitted to APO is for INTERMITTENT use only.

The following operating instructions should be followed.

CONTINUOUS, INTERMITTENT AND SHORT TIME DUTY:
 (On-time 0.5, sec to max 90, sec).
 Within this range, a continuous signal is ensured provided that the OFF time is equal to the ON time. For example: 60, sec ON and 60, sec OFF.

SHORT TIME DUTY: (On-time 90, sec to max 150, sec).
 Within this range the OFF time must be twice as long as the ON time.
 For example: 120, sec ON and 240, sec OFF.

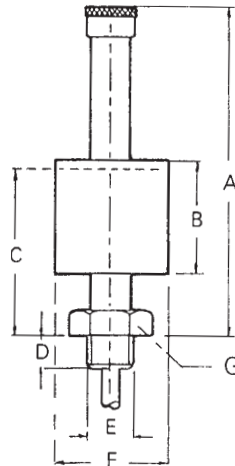


LOW LEVEL SWITCH

For monitoring liquid levels in reservoirs of all kinds. For example: Models GSD/PSD, GRS/PRS, GPO/PPO, GTM/PTM, GET/PET, etc. This magnetic switch is equipped with hermetically sealed contacts. The virtually wear-resisting "Reed Switch" is actuated by a magnetic field inside the float.. Designed for vertical installation.

Voltage: 300V AC/DC max
 Switch current: 0.5A
 Contact load: 10W
 Temperature range: - 20°C to +100°C
 Supplied with 1 meter 2 x 0.25mm 2 cable

Material - BRASS BODY with ALUMINIUM FLOAT
 Finish - NICKEL PLATED



Product Code	A mm	B mm	C mm	D mm	E BSP	F mm	G mm A/F
SMM	50	29	40	12	1/8"	25	14

PROGRAMME TIMER

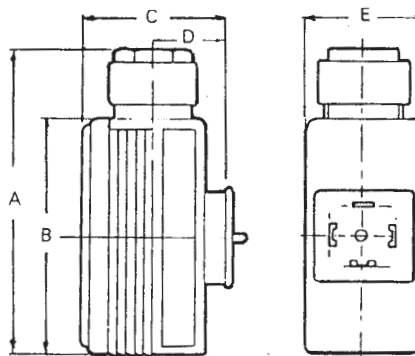
This programme timer can be fitted to all valves with the cable plug standard to DIN 43 650. Internally programmable via DIP-switches and potentionmeters, range 0.5, sec to 10 hours. Four functions can be programmed. Two LEDs display the mains voltage and valve status.

Product Code	Voltage	A mm	B mm	C mm	D mm	E mm
LVT 10780	24/48V 50-60Hz and DC	90	70	41.5	21	32
LVT 10781	110/230V 50-60Hz					



Specifications:

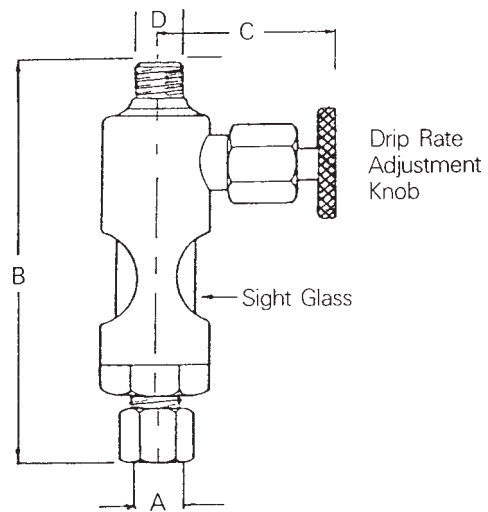
Timing range: On: 0.5, sec to 10 hours
 Off: 0.5, sec to 10 hours
 Switching load: 1 max = 1.5A at 24-48V/50-60Hz and DC
 1 max = 0.5A at 110-230V/50-60Hz
 Power consumption: 1.0W max
 Rating: IP 65
 Working temperature: 0°C to +60°C
 Outlet: Connector pin standard to DIN 43 650
 Material - POLYAMID BODY



SINGLE DRIP FEED

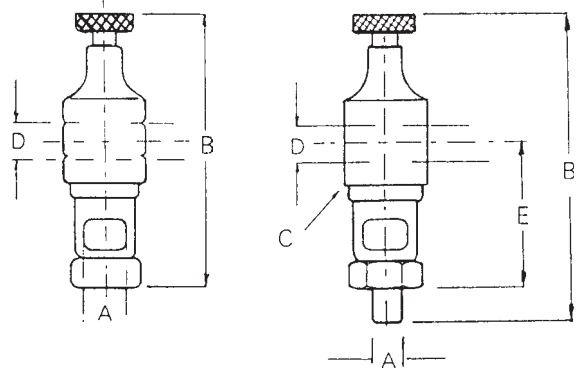
Material - BRASS, PLEXIGLAS with NATURAL FINISH

Product Code	A	B mm	C mm	D mm	-----
LV10078	4 mm OD TUBE	76	28.6	1/8" BSP	VENTED
LVN10078	5/32" OD TUBE	77	28.6	1/8" NPT	
OS3471	3/16" OD TUBE	76	28.6	1/8" BSP	UNVENTED
OSN3471	3/16" OD TUBE	77	28.6	1/8" NPT	
OS3472	1/4" OD TUBE	76	28.6	1/8" BSP	
OSN3472	1/4" OD TUBE	77	28.6	1/8" NPT	



FEMALE OUTLET

Product Code	A	B mm	C mm	D mm	E mm	----
ETR10490	1/8" BSP	70	22	1/8" BSP	38	VENTED
ETRN10490	1/8" NPT	78	22	1/8" NPT	38	



MALE OUTLET

Product Code	A	B mm	C mm	D mm	E mm	----
ETR10491	1/8" BSP	78	22	1/8" BSP	38	VENTED
ETRN10491	1/8" NPT	79	22	1/8" NPT	38	

ANGLE BRACKET

for use with ETR/ETRN

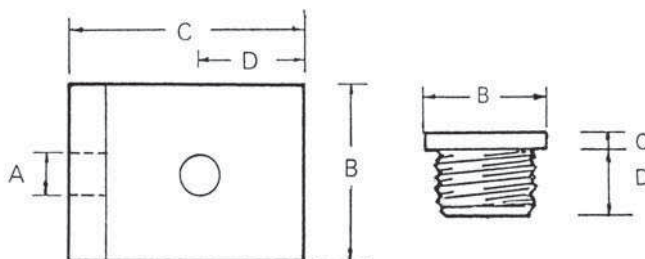
Material - BRASS with NATURAL FINISH

Product Code	A mm	B mm	C mm	D mm
ETR10490/1	6.5	22	30	10

PLUG

Material - BRASS with NATURAL FINISH

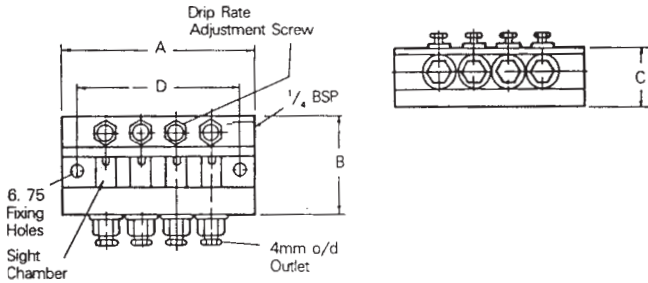
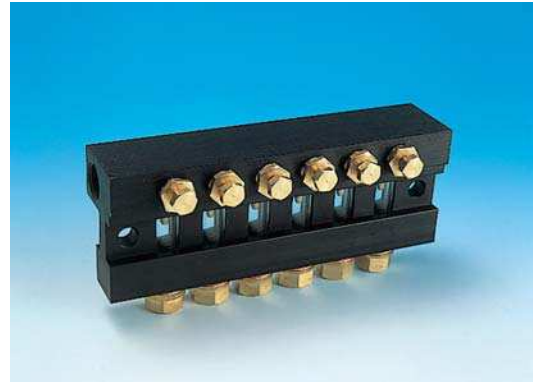
Product Code	A	B mm	C mm	D mm
ETR10490/2	1/8" BSP	14	3	8.5
ETRN10490/2	1/8" NPT	16	3	8.5



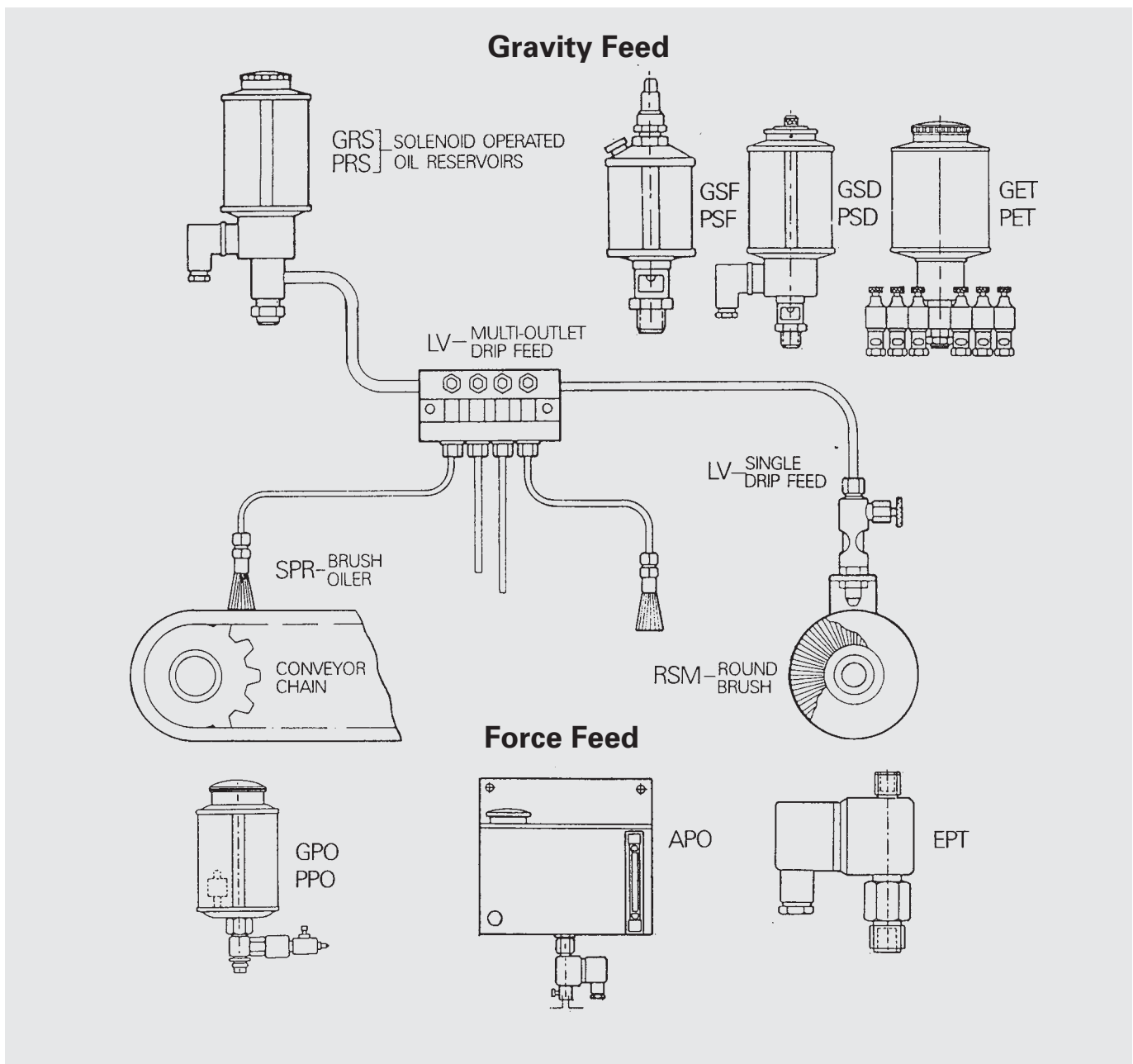
MULTI-DRIP FEED

Dimensions in mm

Product Code	No of Outlets	A mm	B mm	C mm	D mm	----
LV 10030	4	97	49.6	30.2	81	UNVENTED
LV 10031	6	132	49.6	30.2	116	



TYPICAL FEED SYSTEM



BRUSHES

Dimensions in mm

No	A	B	C	Body
----	---	---	---	------

ROUND - 1/8" BSP

SPR 6.5	6.5	50	65	Brass
SPR 16	16	30	53	Brass
SPR 25	25	45	70	Brass
SPR 30	30	45	70	Brass

FLAT - 1/8" BSP

SPF 57	57	30	50	Aluminium
--------	----	----	----	-----------

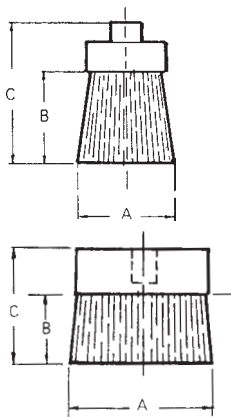
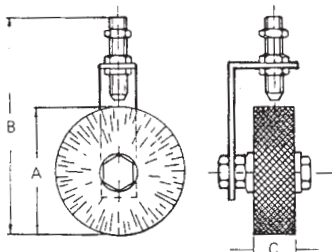
Spare brush unit Part No. SPF 57/1

CIRCULAR - 1/8" BSP

RSM 80	80	137	25	Steel Bracket
--------	----	-----	----	---------------

Spare brush unit Part No. RSM 80/1

Add suffix "N" if nylon brush is required ie SPFN 57.
Or suffix "B" if steel brush is required ie SPRB 25

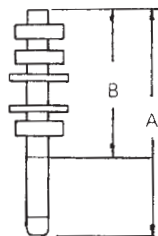


BRUSH HOLDER - Adjustable

No	A	B	Thread
PHA 60	60	47	1/8" BSP
PHA 80	80	47	1/8" BSP
PHA 120	120	47	1/8" BSP

Material - STEEL

Finish - ZINC PLATE



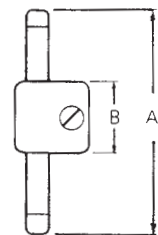
BRUSH HOLDER

For use with mounting Rail - Swivel

No	A	B	Thread
PHB 60	60	30	1/8" BSP
PHB 80	80	30	1/8" BSP
PHB120	120	30	1/8" BSP

Material - STEEL

Finish - ZINC PLATE



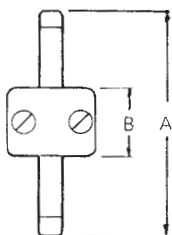
BRUSH HOLDER

For use with mounting - Rail - Fixed

No	A	B	Thread
PHC 60	60	30	1/8" BSP
PHC 80	80	30	1/8" BSP
PHC120	120	30	1/8" BSP

Material - STEEL

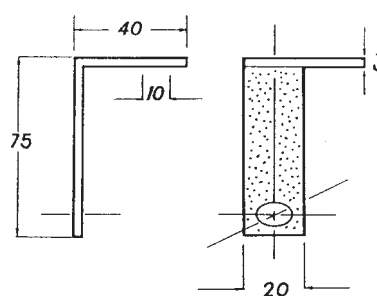
Finish - ZINC PLATE



RSMB ANGLE BRACKET FOR USE WITH PHA

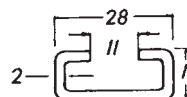
Material - STEEL

Finish - ZINC PLATE



TS11 MOUNTING RAIL FOR USE WITH PHB and PHC

Material - STEEL



Adams

Spring Greasers and Cups

Graisseurs Automatiques et Graisseurs à Réserve

Schmierbuchsen und Staufferbuchsen



Spring Greasers and Cups

Two types of spring operated greasers are offered for greasing in areas where it is difficult to access or where constant pressure is required. The plexiglas model has a reservoir capacity of 50 cc and the steel model 80 cc. A range of grease cups is also available.

Graisseurs Automatiques et Graisseurs à Réserve

Deux types de graisseurs automatiques à ressort sont proposés pour le graissage des organes difficiles d'accès ou nécessitant une pression constante. Le modèle en plexiglas a une capacité de 50 cm³, le modèle en acier a une capacité de 80 cm³. Une gamme complète de graisseurs à réserve est également disponible.

Schmierbuchsen & Staufferbuchsen

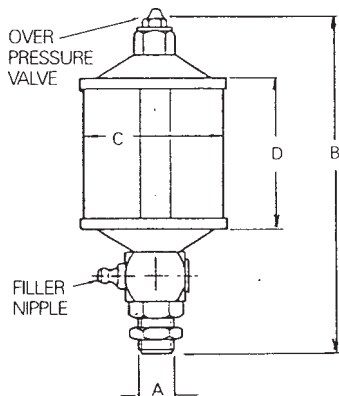
2 Typen von Federschmierbuchsen gewährleisten Schmierung mit konstantem Fettdruck auch an unzugänglichen Stellen. Der Typ aus Plexiglas hat einen Inhalt von 50 ccm, die Stahlausführung hat 80 ccm. Außerdem steht eine Baureihe sog. "Staufferbuchsen" zur Verfügung.

SPRING GREASERS - PLEXIGLAS RESERVOIR

	Dimensions
A	= 1/8", 1/4" or 3/8" BSP
B	= 125mm
C	= 50mm
D	= 55mm

Capacity = 50cc
 Material = Steel and Brass
 = Nitrile Rubber Seals
 = Plexiglas Reservoir

Maximum Working temperature 60°C



FEATURES

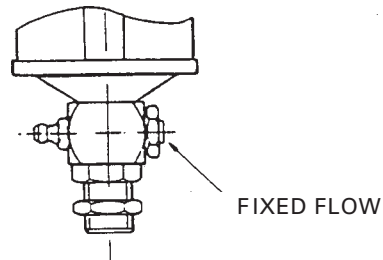
Re-fillable via grease nipple.
 Visual level indication

Suitable for use with greases which do not separate under pressure



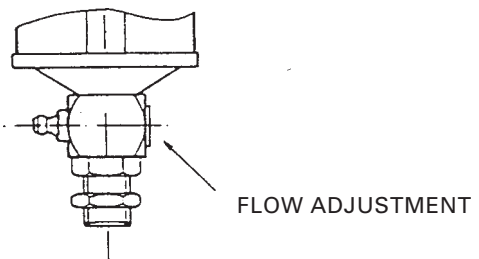
FIXED FLOW RATE

No	Thread	Capacity
SBK 1501	1/8" BSP	50cc
SBK 2501	1/4" BSP	
SBK 3501	3/8" BSP	



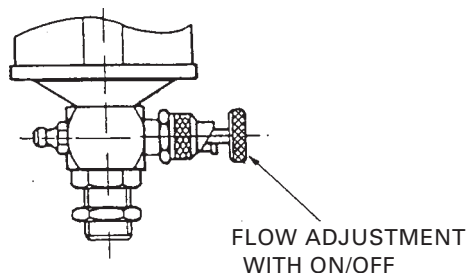
ADJUSTABLE FLOW RATE

No	Thread	Capacity
SBK 1502	1/8" BSP	50cc
SBK 2502	1/4" BSP	
SBK 3502	3/8" BSP	



ADJUSTABLE FLOW RATE AND ON/OFF

No	Thread	Capacity
SBK 1503	1/8" BSP	50cc
SBK 2503	1/4" BSP	
SBK 3503	3/8" BSP	



SPRING GREASERS - STEEL RESERVOIR

	Dimensions
A	= 60mm
B	= 95mm
C	= 130mm

Capacity = 80cc
 Material = Steel Body
 = Fibre Seals
 Finish = Zinc Plated

Operating temperature - 25°C to + 100°C

Suitable for use with greases which do not separate under pressure



STANDARD SPRING PRESSURE (RED CAP)

Mounted directly to lubrication point.
 Suitable for use with light grease

Product Code	Thread	Capacity	Spring Force
SGS 280	1/4" BSP	80cc	3 kg
SGSN 280	1/4" NPT		

MEDIUM SPRING PRESSURE (BLACK CAP)

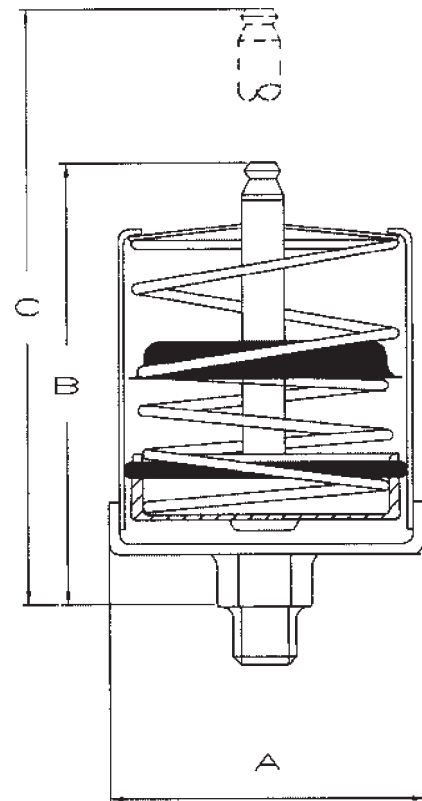
Mounted directly to lubrication point.
 or up to 30mm of large bore pipe.

Product Code	Thread	Capacity	Spring Force
SGS 280/M	1/4" BSP	80cc	5 kg
SGSN 280/M	1/4" NPT		

STRONG SPRING PRESSURE (YELLOW CAP)

Suitable for use with large bore pipe up to 50mm

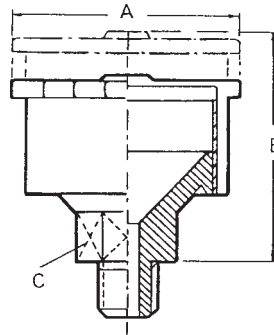
Product Code	Thread	Capacity	Spring Force
SGS 280/S	1/4" BSP	80cc	8 kg
SGSN 280/S	1/4" NPT		



FEATURES

- Re-fillable via grease nipple.
- Can be mounted in any position.
- Level indicator rod.
- No maintenance required.
- Constant lubrication pressure

GREASE CUPS - PRESSED STEEL AND BRASS



Material BLUE STEEL	Material NATURAL BRASS	Thread	A mm	B mm	C A/F	Capacity
GCR 11	BGCR 11	1/8" BSP	19	31	12mm	4.5 cc
GCR 21	BGCR 21	1/8" BSP	25	40	17mm	7 cc
GCR 22	BGCR 22	1/4" BSP				
GCR 31	BGCR 31	1/8" BSP	34	40	17mm	14 cc
GCR 32	BGCR 32	1/4" BSP				
GCR 41	BGCR 41	1/8" BSP	40	45	17mm	30 cc
GCR 42	BGCR 42	1/4" BSP				
GCR 52	BGCR 52	1/4" BSP	52	45	17mm	53 cc
GCR 62	BGCR 62	1/4" BSP	60	50	17mm	88 cc
GCR 73	BGCR 73	3/8" BSP	70	55	19mm	128 cc
GCR 83	BGCR 83	3/8" BSP	84	57	19mm	200 cc

Adams

Constant
Level
Oilers

Huileurs
à Niveau
Constant

Ölstandsregler
(Constant
Level Öler)



Constant Level Oilers

Widely used in the chemical and process industries, constant level oilers maintain a constant fluid level at all times. Available with BSP or NPT thread. Plastic or glass reservoirs with capacities of 85 cc to 500 cc.

Huileurs à Niveau Constant

Largement répandus dans les industries chimiques et de process, les huileurs à niveau constant assurent en permanence un niveau constant de liquide. Fournis en filetage BSP ou NPT, avec réservoirs en verre ou en plastique ils sont disponibles en capacité de 85 cm³ à 500 cm³.

Ölstandsregler (Constant Level Öler)

Diese Öler halten das gewünschte Niveau der Flüssigkeit immer konstant. Eingesetzt werden sie vor allem in der chemischen Industrie und der Verfahrenstechnik. Lieferbar sind diese Öler von 85 ml bis 500ml, mit Behältern aus Glas oder Plexiglas, Anschlußgewinde Rohrgewinde oder NPT.

ALUMINIUM ALLOY BODY - PLASTIC BOTTLE

Product No	A	B	C	D	E	Capacity
ACL 7567	51	82	1/4 BSP	7	51	85 ml
ACL 7568	51	82	1/4 NPT	7	51	85 ml
ACL 7572	57	87	1/4 BSP	7	51	115 ml
ACL 7573	57	87	1/4 NPT	7	51	115 ml
ACL 7577	64	94	1/4 BSP	7	51	158 ml
ACL 7578	64	94	1/4 NPT	7	51	158 ml

Maximum operating temperature 65° C

Finish - ZINC PLATE

STEEL BODY - PLASTIC BOTTLE

Product No	A	B	C	D	E	Capacity
ACL 7563	51	82	1/8 BSP	7	51	85 ml
ACL 7564	51	82	1/8 NPT	7	51	85 ml
ACL 7579	51	82	1/4 BSP	7	51	85 ml
ACL 7580	51	82	1/4 NPT	7	51	85 ml
ACL 7581	57	87	1/4 BSP	7	51	115 ml
ACL 7582	57	87	1/4 NPT	7	51	115 ml
ACL 7583	64	94	1/4 BSP	7	51	158 ml
ACL 7584	64	94	1/4 NPT	7	51	158 ml

Maximum operating temperature 65° C

Finish - ZINC PLATE

ALUMINIUM ALLOY BODY - GLASS BOTTLE

Product No	A	B	C	D	E	Capacity
ACL 7595	61	92	1/4 BSP	7	51	120 ml
ACL 7596	61	92	1/4 NPT	7	51	120 ml

Maximum operating temperature 100° C

Finish - ZINC PLATE

STEEL BODY - GLASS BOTTLE

Product No	A	B	C	D	E	Capacity
ACL 7597	61	92	1/4 BSP	7	51	120 ml
ACL 7598	61	92	1/4 NPT	7	51	120 ml

Maximum operating temperature 100° C

Finish - ZINC PLATE

ACL 7595/2 spare glass 120 ml

BAYONET TYPE - PLASTIC BOTTLE

Product No	A	B	C	D	E	Capacity
ABL 7528	51	93	1/4 BSP	7	51	85 ml
ABL 7538	64	104	1/4 BSP	7	51	158 ml

Maximum operating temperature 65° C

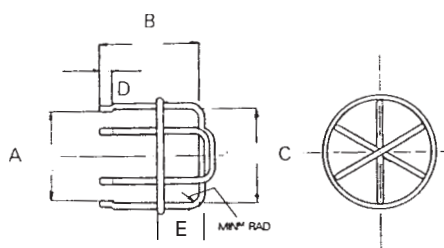
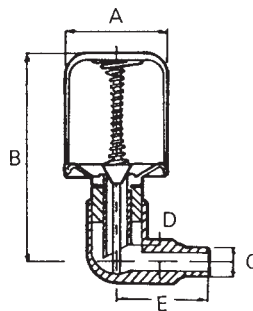
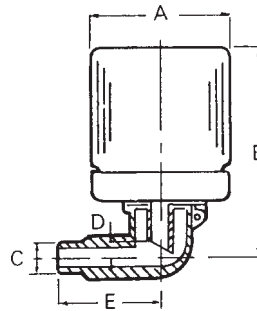
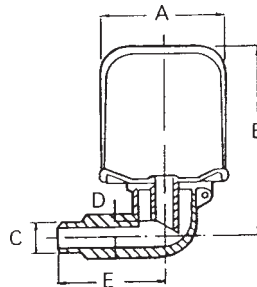
Finish - ZINC PLATE

WIRE GUARD for 120 ml capacity oiler

Product No	A	B	C	D	E
	mm	mm	mm	mm	mm
WG 120	60.3	61.9	62.7	6.35	25.4

Material - STEEL

Finish - ZINC PLATE



BASE ENTRY - GLASS BOTTLE

Product No	A mm	B		D	E mm	Capacity
		Min	Max			
VABL 7974	61	132	142	1/4 NPT	26	120 ml
VABL 7983	61	132	142	1/4 BSP	26	120 ml
VABL 7977	64	189	199	1/4 NPT	26	220 ml
VABL 7986	64	189	199	1/4 BSP	26	220 ml
VABL 7980	82	217	227	1/4 NPT	26	500 ml
VABL 7989	82	217	227	1/4 BSP	26	500 ml

Maximum operating temperature - 100° C
Material - STEEL BODY Finish - ZINC PLATE

SIDE ENTRY - GLASS BOTTLE

Product No	A mm	B		C mm	D	E mm	Capacity
		Min	Max				
VABL 7973	61	132	142	33	1/4 NPT	26	120 ml
VABL 7982	61	132	142	33	1/4 BSP	26	120 ml
VABL 7976	64	189	199	33	1/4 NPT	26	220 ml
VABL 7985	64	189	199	33	1/4 BSP	26	220 ml
VABL 7979	82	222	232	33	1/4 NPT	26	500 ml
VABL 7988	82	222	232	33	1/4 BSP	26	500 ml

Maximum operating temperature - 100° C
Material - STEEL BODY Finish - ZINC PLATE

VABL 7976/2 spare glass 220 ml

VABL 7979/1 spare glass 500 ml

SIDE ENTRY - PLASTIC BOTTLE

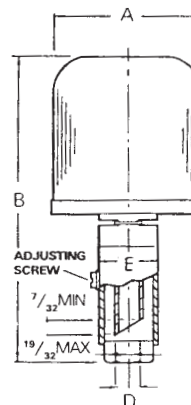
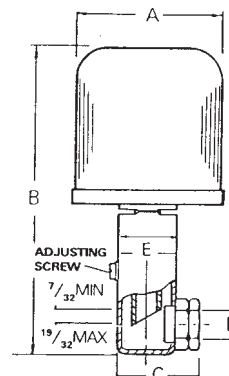
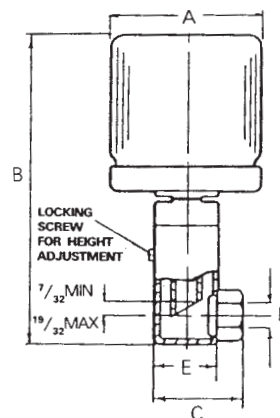
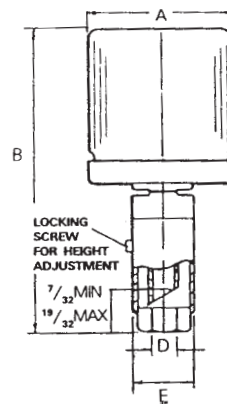
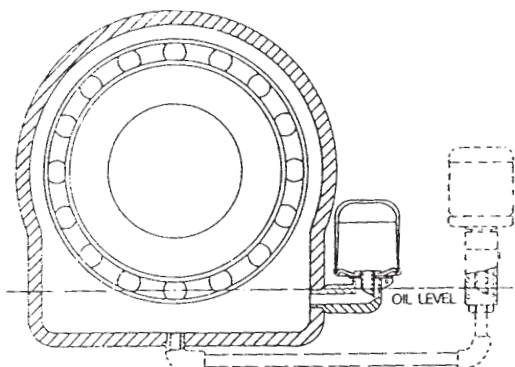
Product No	A mm	B		C mm	D	Capacity ml
		Min	Max			
VABL 7970	63.5	135	145	33	1/4 NPT	158
VABL 7991	63.5	135	145	33	1/4 BSP	158

Maximum operating temperature 65° C
Material - STEEL BODY Finish - ZINC PLATE

BASE ENTRY - PLASTIC BOTTLE

Product No	A mm	B		D	Capacity ml
		Min	Max		
VABL 7971	63.5	135	145	1/4 NPT	158
VABL 7992	63.5	135	145	1/2 BSP	158

Maximum operating temperature 65° C
Material - STEEL BODY Finish - ZINC PLATE



Height adjustment -
Min 7/32 (5.5mm)
Max 19/32 (15mm)

TYPICAL APPLICATION

Constant level oilers, depending on type are mounted into either oil level plug or drain plug holes. The cut-off tube MUST be vertical. Final oil level adjustments can be made by filing the cut-off tube or in the case of the VABL by the adjustment screw. To ensure the correct oil level, the gearbox MUST be filled using the oil feeder tube of the constant level.

AUTOMATIC OPEN VENT

Dimension in mm

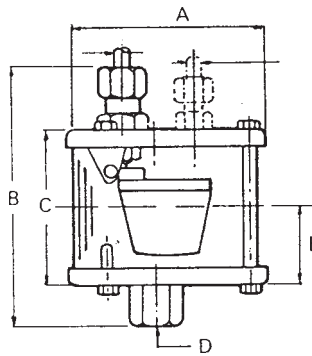
Product No	A	B	C	D	E
RCL 7780	85	100	60	1/4 BSP	30

PORTED VENT

Dimension in mm

Product No	A	B	C	D	E
RCL 7781	85	100	60	1/4 BSP	30

Material - STEEL, GLASS Finish - ZINC PLATE

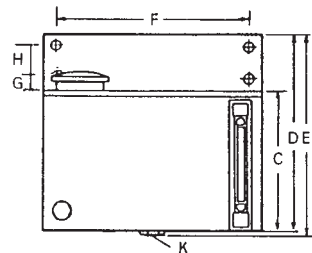
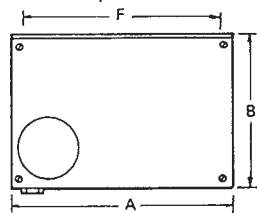


RESERVOIRS

Dimensions in mm

Product No	Capacity	A	B	C	D	E	F	G	H	J	K	Material	Finish
LV 10640	2 litre	155	142	150	198	200	125	32	-	7	3/8 BSP	Aluminium	Silver
LV 10641	2.7 litre	155	142	157	205	213	125	32	-	7	3/8 BSP	Plastic	Natural
LV 10642	5 litre	248	174	157	228	236	218	15	40	8	3/8 BSP	Aluminium	Silver
LV 10644	8 litre	362	185	180	273	281	333	15	40	8	3/8 BSP	Steel	Silver

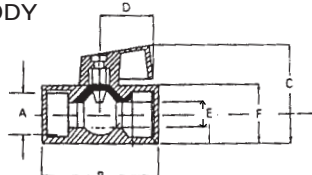
Add suffix "FS" if low level switch required



ON/OFF VALVES

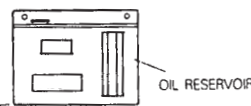
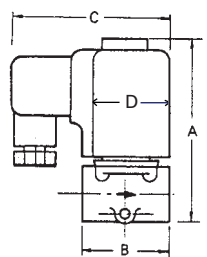
MANUALLY OPERATED NICKEL PLATED BRASS BODY

Product No	A	B	C	D	E	F
LV 10521	1/4 BSP	39	38	22	8	21



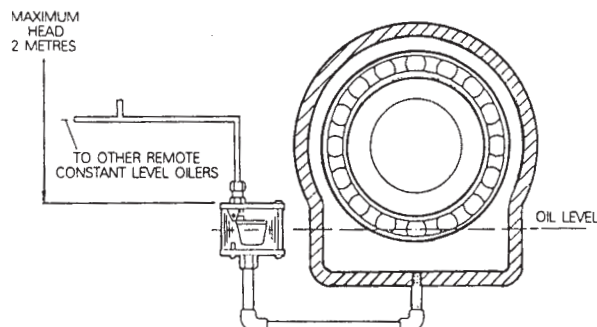
ELECTRIC SOLENOID OPERATED

Product No	Voltage	A	B	C	D	Thread
LV 10523	110. 50	82	35	79	32	1/4 BSP
LV 10524	240. 50	82	35	79	32	
LV 10525	440. 50	82	35	79	32	



AUTOMATIC CONSTANT LEVEL SYSTEMS

The advantages of having the Adams RCL 7780 constant level oiler incorporates a float operated "shut-off" valve enabling it to be filled from a central reservoir. As the pump loses oil, the pump and the constant level oiler reservoir levels fall. The valve in the RCL opens taking oil from the central reservoir, when the correct oil level is reached, the float closes the valve. The system is gravity fed using the central reservoir as a header tank. Any number of pumps can be incorporated into an automatic constant level system.



Adams

Oil Levels & Windows

Niveaux d'Huile et Voyants

Ölstandsanzeiger & Ölaugen



Oil Levels and Windows

These units are used in industry to visually check the fluid level within a reservoir or gearbox. Vertical and angled oil level gauges are available in brass. Screw in windows are available in various materials, the "drive-in" type is steel with plastic window.

Niveaux d'Huile et Voyants

Ces accessoires sont utilisés dans l'industrie pour le contrôle visuel du niveau d'un réservoir ou d'un carter. Verticaux ou à l'équerre les niveaux d'huile sont en laiton. Les voyants à visser existent dans différents matériaux, ceux à encastrer sont en acier avec fenêtre en plastique.

Ölstandsanzeiger & Ölaugen

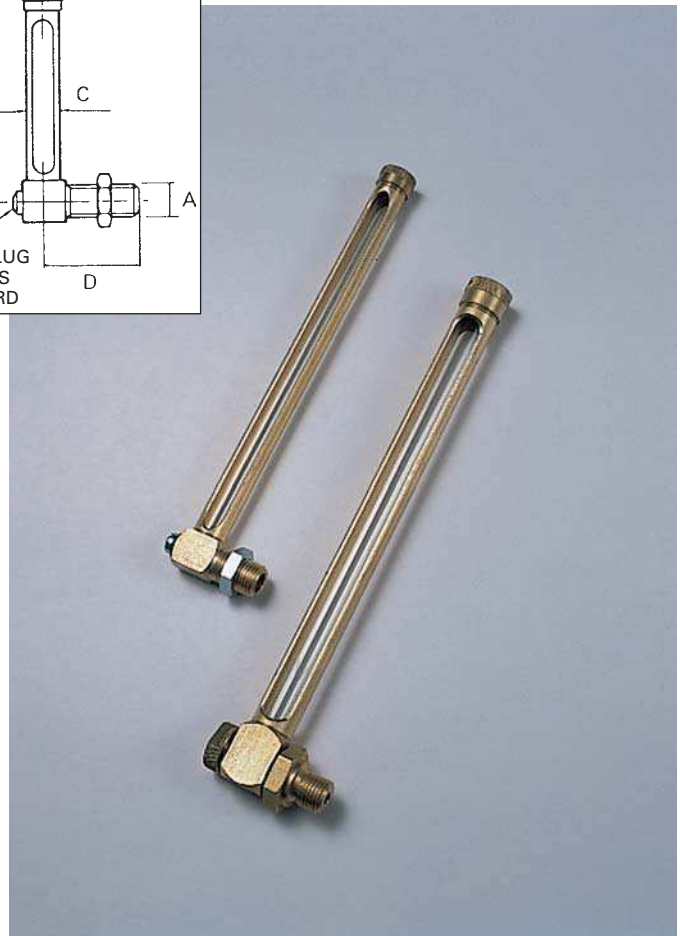
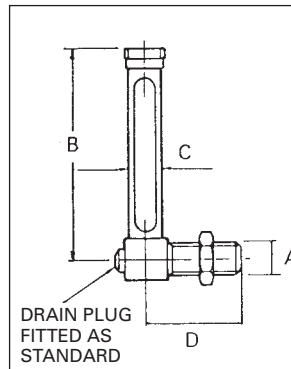
Industriell gebräuchliche Geräte für die optische Kontrolle des Flüssigkeitsstandes in einem Behälter oder auch Getriebegehäuse. Senkrechte und horizontale Anzeiger sind aus Messing. Ölaugen sind in vielen Werkstoffen lieferbar.

OIL LEVELS

WITH LOCKNUT (DIN 3018)

Material - BRASS, GLASS Finish - NATURAL
Maximum Working Temperature 90° C

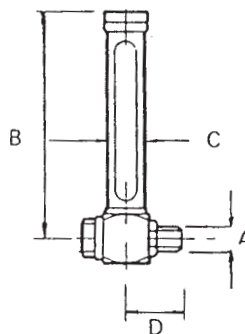
Product Code	A	B mm	C mm	D mm
FGM 150	1/8 BSP	50	13	27
FGM 160		60	13	27
FGM 180		80	13	27
FGM 250	1/4 BSP	50	13	27
FGM 260		60	13	27
FGM 280		80	13	27
FGM 2100		100	13	27
FGM 2125		125	13	27
FGM 2150		150	13	27
FGM 2175		175	13	27
FGM 2200		200	13	27
FGM 2250		250	13	27
FGM 2300		300	13	27
FGM 350	3/8 BSP	50	13	34
FGM 360		60	13	34
FGM 380		80	13	34
FGM 3100		100	13	34
FGM 3125		125	13	34
FGM 3150		150	13	34
FGM 3175		175	13	34
FGM 3200		200	13	34
FGM 3250		250	13	34
FGM 3300		300	13	34
FGM 4100	1/2 BSP	100	16	38
FGM 4125		125	16	38
FGM 4150		150	16	38
FGM 4200		200	16	38
FGM 4250		250	16	38



WITH BANJO COUPLING (DIN 3018)

Material - BRASS, GLASS. Finish - NATURAL
Maximum Working Temperature 90° C

Product Code	A	B mm	C mm	D mm
FGB 160	1/8 BSP	60	16	28
FGB 180		80	16	28
FGB 1100		100	16	28
FGB 1125		125	16	28
FGB 250	1/4 BSP	50	16	30
FGB 260		60	16	30
FGB 280		80	16	30
FGB 2100		100	16	30
FGB 2125		125	16	30
FGB 2150		150	16	30
FGB 2175		175	16	30
FGB 2200		200	16	30
FGB 2250		250	16	30
FGB 2300		300	16	30



3/8 BSP, 1/2 BSP and NPT sizes available on request

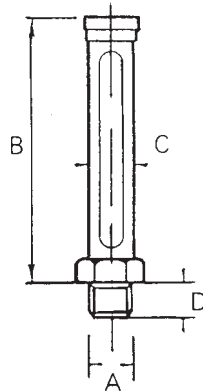
OIL LEVELS

VERTICAL (DIN 3018)

Material - BRASS, GLASS. Finish - NATURAL
Maximum Working Temperature 90°C

Product Code	A	B mm	C mm	D mm
FGV 250		50	13	8
FGV 260		60	13	8
FGV 280		80	13	8
FGV 2100		100	13	8
FGV 2125	1/4 BSP	125	13	8
FGV 2150		150	13	8
FGV 2175		175	13	8
FGV 2200		200	13	8
FGV 2250		250	13	8
FGV 2300		300	13	8

3/8 BSP, 1/2 BSP and NPT sizes available on request

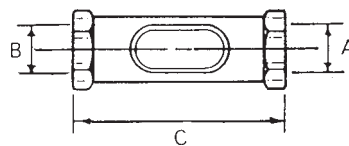


OIL LINE FLOW

Material - BRASS, GLASS, NITRILE. Finish - NATURAL.
Maximum Working Pressure 2 bar.

Maximum Working Temperature 80°C

Product Code	A	B	C mm	A/FLATS mm
OL 4279	1/8 BSP	1/8 BSP	70	19
OL 4280	1/8 NPT	1/8 NPT	70	19
OL 4281	1/4 BSP	1/4 BSP	62	21
OL 4282	1/4 NPT	1/4 NPT	62	21
OL 4283	3/8 BSP	3/8 BSP	76	31.75
OL 4284	3/8 NPT	3/8 NPT	76	31.75
OL 4285	1/2 BSP	1/2 BSP	70	32
OL 4286	1/2 NPT	1/2 NPT	70	32



FLANGED

Material - BRASS, GLASS. Finish - NATURAL

Maximum Working Pressure 1 bar.

Maximum Working Temperature 100°C

Product Code	A mm	B mm	C mm	D mm	E mm	F mm	G mm
CW 4032	31.8	57.2	46.8	4.8	9.5	17.5	31.8
CW 4033	38.1	65.1	54.8	4.8	9.5	17.5	38.1



DRIVE IN

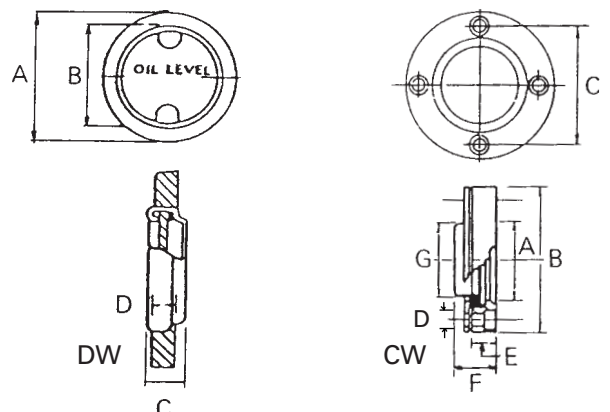
Material - STEEL, PERSPEX. Finish - ZINC PLATE

Maximum Working Pressure 0.7 bar.

Maximum Working Temperature 70°C with 0.2 bar pressure

Product Code	Hole Diameter	A	B mm	C mm	D mm
DW 4064	22.23 - 22.28	22.30 - 22.35	17.5	7.1	0.4
DW 4061	31.75 - 31.80	31.83 - 31.88	25.4	8.7	0.4
DW 4062	38.10 - 38.15	38.18 - 38.23	31.8	9.5	0.4
DW 4063	50.80 - 50.85	50.88 - 50.93	44.5	10.8	0.4

Add suffix 'A' to part No. if reflector is required.



OIL WINDOWS

PLEXIGLASS, ALUMINIUM BODY

Maximum Working Pressure 3.5 bar.

Maximum Working Temperature 70° C

Product Code	A	B mm	C mm	D mm	E mm
AW 1145	1/4 BSP	8	15	8	17
AW 1150	3/8 BSP	8	16	11	22
AW 1155	1/2 BSP	9	17	15	27
AW 1160	3/4 BSP	10	20	20	32
AW 1165	1 BSP	14	24	25	41
AW 1170	1.1/4 BSP	14	24	33	50
AW 1175	1.1/2 BSP	14	24	38	55

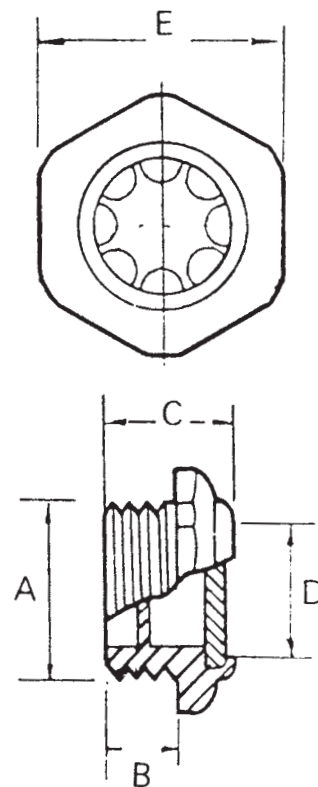


HEAT RESISTANT GLASS, ALUMINIUM BODY

Maximum Working Pressure 10 bar.

Maximum Working Temperature 130° C

Product Code	A	B mm	C mm	D mm	E mm
AW 1245	1/4 BSP	8	15	8	17
AW 1250	3/8 BSP	8	16	11	22
AW 1255	1/2 BSP	9	17	15	27
AW 1260	3/4 BSP	10	20	20	32
AW 1265	1 BSP	14	24	25	41
AW 1270	1.1/4 BSP	14	24	33	50
AW 1275	1.1/2 BSP	14	24	38	55
AW 1280	2 BSP	14	24	46	70
AW 1955	M12 x 1.5	8	15	8	17
AW 1960	M16 x 1.5	8	16	11	22
AW 1964	M20 x 1.5	9	17	15	27
AW 1972	M24 x 2	9	17	15	27
AW 1974	M26 x 1.5	10	20	20	32
AW 1977	M27 x 1.5	10	20	20	32
AW 1980	M30 x 1.5	14	24	25	41
AW 1983	M33 x 1.5	14	24	25	41
AW 1993	M42 x 2	14	24	33	50



OIL WINDOWS

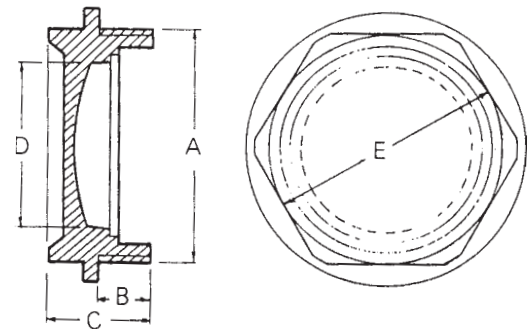
PLASTIC

Material - PLEXIGLASS

Maximum Working Pressure 3 bar.

Maximum Working Temperature 80°C

Product Code	A	B mm	C mm	D mm	E mm
PW 4210	1/4 BSP	8.2	13.2	6	17
PW 4211	3/8 BSP	9.2	15.7	9	22
PW 4212	1/2 BSP	10	18	12	24
PW 4213	3/4 BSP	12.2	21.2	16	30
PW 4214	1 BSP	11.6	20.6	22	36
PW 4215	1 1/4 BSP	12.8	22.3	28	46
PW 4216	1 1/2 BSP	13.8	25	33	50
PW 4217	2 BSP	13.8	26	43	60
PW 4520	M12 x 1	8.2	13.2	6	17
PW 4521	M16 x 1.5	9.2	15.7	9	22
PW 4522	M20 x 1.5	10.0	18.0	12	24
PW 4523	M24 x 1.5	12.2	21.2	16	30
PW 4524	M26 x 1.5	12.2	21.2	16	30
PW 4525	M27 x 1.5	12.2	21.2	16	30
PW 4526	M33 x 1.5	11.6	20.6	22	36
PW 4527	M35 x 1.5	11.6	22.5	25	41
PW 4528	M42 x 1.5	12.8	22.3	28	46
PW 4529	M48 x 1.5	13.8	25.0	33	50
PW 4530	M60 x 2	13.8	26.0	43	60



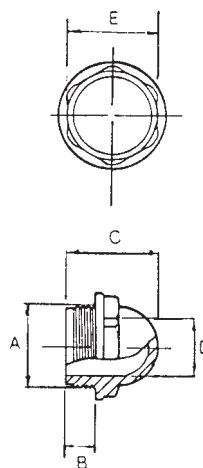
PLASTIC DOMED

Material - POLYCARBONATE

Maximum Working Pressure 3 bar.

Maximum Working Temperature 70°C

Product Code	A	B mm	C mm	D mm	E mm
PR 4300	1/2 BSP	10	30	14	24
PR 4301	3/4 BSP	12	34	20	30
PR 4302	1 BSP	12	36	23	36
PR 4310	M20 X 1.5	10	30	14	24
PR 4311	M27 X 1.5	13	34	16	30
PR 4312	M33 X 1.5	12	36	22	36



OIL WINDOWS

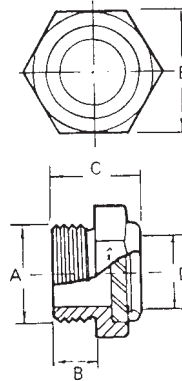
STEEL

With Toughened Glass Window

Material - STEEL, GLASS Finish - ZINC PLATE
Maximum Working Pressure 10 bar.

Maximum Working Temperature 100° C

Product Code	A	B mm	C mm	D mm	E mm
BWS4042	3/4 BSP	12.7	25.4	19.1	33.0
BWS4052	3/4 NPT	20.6	33.3	19.1	33.0
BWS4043	1 BSP	15.9	33	25.4	42.4
BWS4053	1 NPT	22.2	39.3	25.4	42.4
BWS4044	1 1/4 BSP	15.9	33	31.8	52.1
BWS4054	1 1/4 NPT	26	39.3	31.8	52.1
BWS4045	1 1/2 BSP	15.9	33	38.1	61.2
BWS4055	1 1/2 NPT	26	42	38.1	61.2
BWS4046	2 BSP	17	34.9	49.0	69.9



Add suffix 'R'. to part no. if reflector is required, eg BWS 4043R

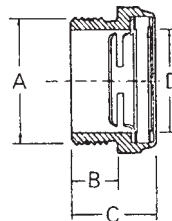
BRASS

With Perspex Window

Material - BRASS, PERSPEX Finish - NATURAL
Maximum Working Pressure 0.7 bar.

Maximum Working Temperature 70° C

Product Code	A	B mm	C mm	D mm	E mm
BW4040P	3/8 BSP	11.1	17.3	11.1	19.1
BW4041P	1/2 BSP	13.5	23.8	12.7	23.4



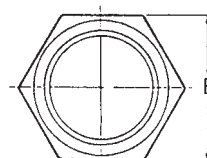
BRASS

With Toughened Glass Window

Material - BRASS, GLASS Finish - NATURAL
Maximum Working Pressure 0.7 bar.

Maximum Working Temperature 100° C

Product Code	A	B mm	C mm	D mm	E mm
BW4040TG	3/8 BSP	11.1	17.3	11.1	19.1
BW4041TG	1/2 BSP	13.5	23.8	12.7	23.4



BW4041 available with reflector add suffix 'R'. eg BW4041PR

Adams

Oil Hole
Covers &
Cups

Bouchons
et Coupelles

Klappöler
& Kugelöler



Oil Hole Covers and Cups

A comprehensive range of straight and angled oil hole covers and cups for screw or drive fit mounting. Rotating sleeve and ball spring oilers are also available.

Bouchons et Coupelles

Une large gamme de bouchons droits ou à l'équerre et de coupelles, à visser ou à encastrer. Huileurs à douille tournante ou à clapet sont également disponibles.

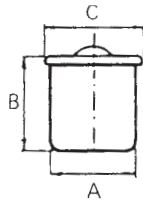
Klappöler & Kugelöler

Eine umfassende Serie aller Konstruktionen für alle Arten der Befestigung.

BALL VALVE OILERS

Material - STEEL Finish - ZINC PLATE

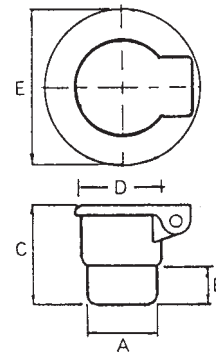
Product Code	Hole Diameter	A	B mm	C mm
A 1401	3/16"	0.190 - 0.192"	6.7	5.5
A 1402	1/4"	0.253 - 0.255"	7.7	7.1
A 1403	5/16"	0.315 - 0.317"	9.5	8.7
A 1404	3/8"	0.378 - 0.380"	8.7	10.3
A 1411	5mm	5.1mm	6.0	5.5
A 1412	6mm	6.1mm	7.0	6.5
A 1413	8mm	8.1mm	9.0	9.4
A 1414	10mm	10.1mm	11.0	11.5



SHOULDER DRIVE OIL CUP

Material - STEEL Finish - NICKEL PLATE

Product Code	Hole Diameter	A	B mm	C mm	D mm	E mm
BS 1511	1/4"	0.253 - 0.255"	5.6	11.9	7.2	15.9
BS 1512	3/16"	0.190 - 0.192"	5.6	11.9	7.2	15.9
BS 1513	6mm	6mm Taper	5.6	11.9	7.2	15.9
BS 1514	3/16"	3/16" Taper	5.6	11.9	7.2	15.9
BS 1516	5/16"	0.315 - 0.317"	6.4	13.5	8.9	19.1
BS 1518	7mm	7mm Taper	6.4	13.5	8.9	19.1
BS 1521	3/8"	0.378 - 0.380"	7.1	15.1	10.5	20.6
BS 1523	8mm	8mm Taper	7.1	15.1	10.5	20.6
BS 1536	10mm	10mm Taper	7.1	18.3	12.7	25.4
BS 1549	5/8"	0.628 - 0.630"	9.5	23.8	19.0	34.9
BS 1555	3/4"	0.753 - 0.755"	11.1	27.0	25.4	41.3
BS 1556	7/8"	0.878 - 0.880"	12.7	28.6	25.4	41.3
BS 1560	1"	1.003 - 1.005"	14.3	33.3	31.8	47.6
*BS 1573	1 1/4"	1.253 - 1.255"	17.5	38.1	41.3	63.5
*BS 1574	1 1/2"	1.503 - 1.507"	17.5	38.1	41.3	63.5

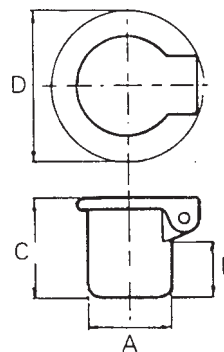


* ADD SUFFIX **DC** IF DUST PROOF COVER IS REQUIRED

DRIVE IN OIL CUPS

Material - STEEL Finish - NICKEL PLATE

Product Code	Hole Diameter	A	B mm	C mm	D mm
B 1604	1/4"	0.253 - 0.255"	36.5	41.3	15.9
B 1614	1/2"	0.503 - 0.505"	9.5	16.7	25.4
B 1620	5/8"	0.628 - 0.630"	10.3	19.1	31.8
B 1623	3/4"	0.753 - 0.755"	13.5	23.8	34.9
B 1625	1"	1.003 - 1.005"	14.3	25.4	41.3
B 1628	1 1/4"	1.253 - 1.256"	15.9	27.0	47.6
*B 1640	1 3/4"	1.753 - 1.757"	14.3	25.4	69.9
*B 1650	2 1/4"	2.253 - 2.258"	20.6	31.8	79.4

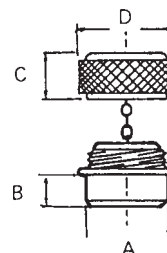


* ADD SUFFIX **DC** IF DUST PROOF COVER IS REQUIRED

SCREW CAP OIL HOLE COVER

Material - BODY BRASS Finish - NATURAL ANODIZE
CAP ALUMINUM

Product Code	Hole Diameter	A	B mm	C mm	D mm
AH 2181	3/4"	0.752 - 0.754"	6.4	9.5	23.8
AH 2182	1 5/16"	1.315 - 1.317"	9.5	17.5	38.1
AH 2183	1 5/8"	1.627 - 1.629"	11.9	19.0	49.2

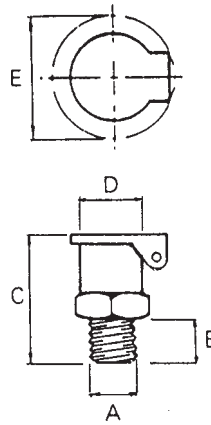


THREADED OIL CUPS

Material - Body - BRASS Filler - STEEL Finish - NICKEL PLATE

Product Code	A	B	C	D	E	Hex A/Flats
C 1730	3/16" - 32 TPI	4.8	14.3	6.4	15.9	5/16"
C 1732	1/4" - 32 TPI	4.8	14.3	6.4	15.9	5/16"
C 1733	1/4" - 26 TPI	5.6	20.6	7.1	15.9	3/8"
C 1735	10 - 32 TPI	4.8	14.3	6.4	15.9	5/16"
C 1736	2 BA	4.8	14.3	6.4	15.9	5/16"
C 1740	1/4" - 20 TPI	5.6	20.6	7.1	15.9	3/8"
C 1743	5/16" - 18 TPI	5.6	20.6	7.1	15.9	3/8"
C 1748	3/8" - 24 TPI	6.4	17.5	9.5	20.6	7/16"
C 1749	1/8" BSP	6.4	17.5	9.5	20.6	7/16"
C 1750	1/8" NPT	6.4	17.5	9.5	20.6	7/16"
C 1752	7/16" - 24 TPI	7.1	18.3	11.1	23.8	1/2"
C 1763	1/4" BSP	11.1	26.2	15.9	31.8	11/16"
C 1764	1/4" NPT	11.1	26.2	15.9	31.8	11/16"
C 1787	1/8" BSP	38.1	50.8	9.5	23.8	7/16"
*C 2141	1/8" BSP	9.5	31.8	15.9	31.8	11/16"

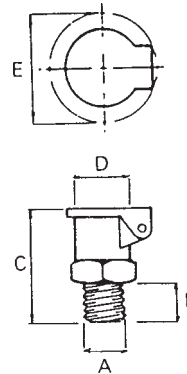
* ADD SUFFIX 'WF' IF SYPHON TUBE & WICK IS REQUIRED



THREADED OIL CUPS ROTATING SPRING LID

Material - Body - BRASS Finish - NICKEL PLATE
Filler - STEEL

Product Code	A	B	C	D	E	Hex A/Flats
C 1850	M5 x 0.8	4.0	15.0	7.5	16.0	8mm
C 1851	M6 x 1	5.0	15.0	7.5	16.0	8mm
C 1852	M6 x 1	5.0	18.5	9.5	19.0	10mm
C 1853	M8 x 1	5.0	18.5	9.5	19.0	10mm
C 1854	M8 x 1.25	6.0	18.5	11.0	21.0	12mm
C 1855	M10 x 1.5	6.0	22.0	12.5	22.0	14mm
C 1856	M10 x 1	6.0	22.0	12.5	22.0	14mm
C 1857	M12 x 1.5	8.0	27.5	15.0	27.0	17mm

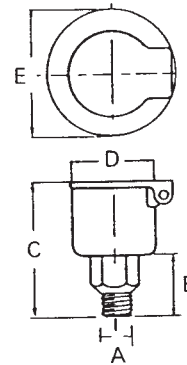


THREADED OIL CUPS

Material - STEEL Finish - NICKEL PLATE

Product Code	A	B	C	D	E	Hex A/Flats
D 1914	1/8" BSP	17.5	36.5	15.9	31.8	7/16"
D 1920	1/8" BSP	17.5	39	19.1	34.9	7/16"
D 1921	1/8" NPT	17.5	41.3	19.1	34.9	7/16"
D 1927	1/8" BSP	20.6	47.6	25.4	41.3	9/16"
D 1928	1/4" BSP	20.6	47.6	25.4	41.3	9/16"
D 1937	1/8" BSP	20.6	53	31.75	41.3	9/16"
D 1938	1/4" NPT	23.8	53	31.75	41.3	9/16"
D 1952	1/4" BSP	23.8	68.3	41.3	63.5	11/16"
D 1958	1/4" BSP	28.6	85.7	57.2	79.4	11/16"
D 1959	3/8" BSP	29.4	85.7	57.2	79.4	11/16"
D 1960	1/2" BSP	31.8	88.9	57.2	79.4	7/8"
D 1961	3/8" NPT	28.6	85.7	57.2	79.4	11/16"

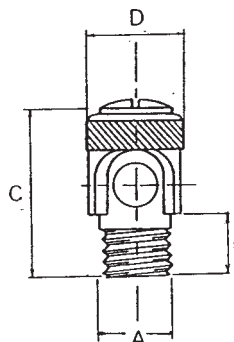
ADD SUFFIX 'WF' IF SYPHON TUBE AND WICK IS REQUIRED



ROTATING SLEEVE OILER

Material - BRASS Finish - NICKEL PLATE

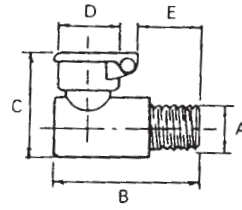
Product Code	A	B	C	D
I 2202	1/4" - 26 TPI	6.4	17.5	8.7
I 2204	3/16" - 32 TPI	6.4	17.5	8.7
I 2209	5/16" - 18 TPI	6.4	19.1	11.1
I 2215	1/8" BSP	7.9	22.2	12.7



THREADED ELBOW OIL CUP (90°)

Material - Body-BRASS Filler-STEEL Finish-NICKEL PLATE

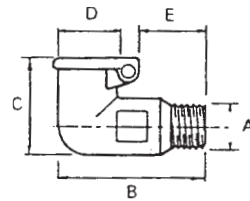
Product Code	A	B mm	C mm	D mm	E mm
L 2601	3/16" - 32TPI	19.1	14.3	6.4	8.7
L 2602	1/4" - 32TPI	19.1	14.3	6.4	8.7
L 2603	1/4" - 26TPI	19.1	14.3	6.4	8.7
L 2604	10 - 32TPI	19.1	14.3	6.4	8.7



THREADED ELBOW OIL CUP (90°)

Material - Body-BRASS Filler-STEEL Finish-NICKEL PLATE

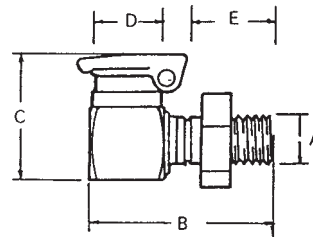
Product Code	A	B mm	C mm	D mm	E mm
LS 2616	5/16" - 32TPI	23.8	15.9	7.9	10.3
LS 2630	1/8" BSP	25.4	20.6	9.5	11.9
LS 2633	3/8" - 24TPI	25.4	20.6	9.5	11.9
LS 2680	1/8" NPT	34.9	25.4	15.9	14.3
LS 2681	1/8" BSP	34.9	25.4	15.9	14.3



THREADED ELBOW OIL CUP (90°) ROTATING SPRING LID

Material - Body-BRASS Filler-STEEL Finish-NICKEL PLATE

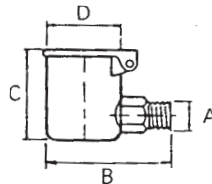
Product Code	A	B mm	C mm	D mm	E mm
L 2710	M6 x 1	24.0	15.0	7.5	13
L 2711	M8 x 1	28.0	18.0	9.5	14
L 2712	M10 x 1	30.0	20.0	12.5	14
L 2713	M12 x 1.5	34.0	22.0	15.0	15



THREADED ELBOW OIL CUP (90°)

Material-STEEL Finish-NICKEL PLATE

Product Code	A	B mm	C mm	D mm	Hex A/Flats
M 3011	1/8" BSP	33.3	26.2	15.9	7/16"
M 3017	1/8" BSP	36.5	30.2	19.1	7/16"
M 3018	1/8" NPT	41.3	28.6	19.1	7/16"
M 3024	1/8" BSP	46.0	35.7	25.4	9/16"
M 3025	1/4" BSP	46.0	35.7	25.4	9/16"
M 3026	1/4" NPT	46.0	34.9	25.4	9/16"
M 3031	1/8" BSP	52.4	40.5	31.8	9/16"
M 3032	1/4" BSP	52.4	40.5	31.8	9/16"
M 3041	1/4" BSP	65.1	52.4	41.3	1 1/16"
M 3042	3/8" BSP	65.1	52.4	41.3	1 1/16"
M 3064	1/4" BSP	85.7	58.7	57.2	1 1/16"
M 3065	3/8" BSP	85.7	58.7	57.2	1 1/16"

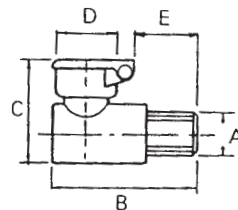


ADD SUFFIX "WF" IF SYPHON TUBE & WICK IS REQUIRED (EXCEPT M3011)

DRIVE IN ELBOW OIL CUP (90°)

Material - Body-BRASS Filler-STEEL Finish-NICKEL PLATE

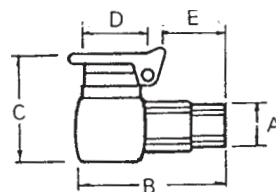
Product Code	A	B mm	C mm	D mm	E mm
L 2511	0.253 - 0.255"	19.1	14.3	6.4	8.7
L 2531	0.378 - 0.380"	27.0	19.8	9.5	11.1



DRIVE IN ELBOW OIL CUP (90°) ROTATING SPRING LID

Material-STEEL Finish-NICKEL PLATE

Product Code	A	B mm	C mm	D mm	E mm
L 2540	6mm	20.0	14.5	7.0	8.5
L 2541	8mm	24.0	17.5	9.0	9.0
L 2542	10mm	28.0	20.0	11.0	12.0
L 2543	12mm	32.0	22.0	13.0	15.0



Adams

Grease
Nipples

Graisseurs

Schmiernippel



Grease Nipples

A range of grease nipples in stainless steel or steel, metric or imperial threads, hydraulic, button, industrial button or concave heads are available.

Graisseurs

Une gamme de graisseurs en acier ou en inox, filetages métrique ou impérial, hydrauliques, à tête plate ou à cuvette.

Schmiernippel

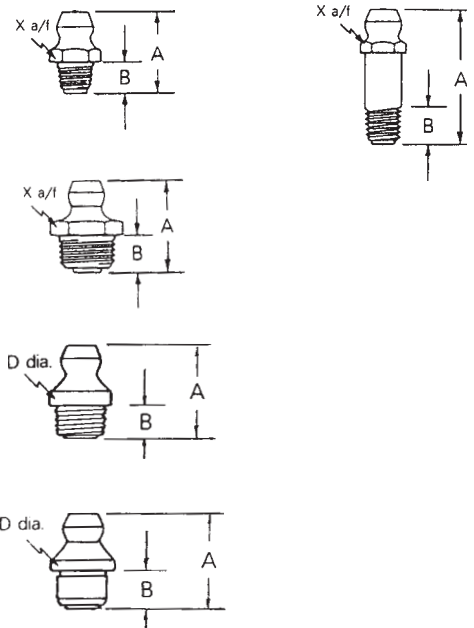
Lieferbar sind alle Bauformen mit metrischen und Zoll-Gewinden in Stahl und rostfreiem Stahl.

STEEL GREASE NIPPLES

Mild steel case hardened head. Zinc plated.
Stress relieved carbon steel spring. Carbon steel ball

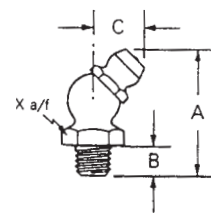
STRAIGHT

Product Code	Thread Type	Thread/Diameter	A mm	B mm	A/F mm	Nominal Hole Size mm
301901	BSF	1/4 x 26	13.7	5.3	5/16	-
303801	BSF	5/16 x 22	15.8	6.4	7/16	-
606901	BSP	1/8 x 28	15.2	5.8	17/16	-
607901	BSP	1/4 x 19	20.3	8.4	7/16	-
201641	UNF	1/4 x 28 (Taper)	13.7	5.1	5/16	-
201680	UNF	1/4 x 28 (15/16 O/L)	23.6	7.1	9/32	-
201698	UNF	1/4 x 28 Taper (1 1/8 O/L)	28.7	7.1	9/32	-
205530	UNF	1/4 x 28 Self Forming	14.2	5.3	5/16	6.0
201711	UNF	5/16 x 24	15.8	6.4	7/16	-
201710	UNF	3/8 x 24	15.8	6.4	7/16	-
201652	UNF	1/4 x 28 (11/16 O/L)	17.0	7.1	5/16	-
201610	NPT	1/8 x 27	15.8	6.4	7/16	-
205570	NPT	1/8 - 27 Self Forming	15.2	5.6	7/16	9.5
201627	NPT	1/4 x 18	20.3	8.9	9/16	-
201607	NPT	1/8 x 27 (1 1/4 O/L)	31.8	9.7	7/16	-
608601	Metric	M6 x 1	13.5	4.6	7mm	-
608771	Metric	M6 x 1 Self Forming	14.2	5.5	7mm	5.6
608901	Metric	M8 x 1	15.0	5.8	9mm	-
608971	Metric	M8 x 1 Self Forming	14.5	5.3	9mm	7.6
609201	Metric	M8 x 1.25	15.0	5.8	9mm	-
609301	Metric	M10 x 1	15.2	5.9	11mm	-
609501	Metric	M10 x 1.5	15.2	5.9	11mm	-
			A	B	D	
201728	Drive Fit	3/16	12.7	5.1	5/16	-
201743	Drive Fit	1/4	12.7	5.1	5/16	-
201608	Drive Fit	5/16	14.7	5.3	13/32	-
609601	Drive Fit	M6	14.5	6.0	8mm	-
609801	Drive Fit	M8	15.5	6.1	10mm	-



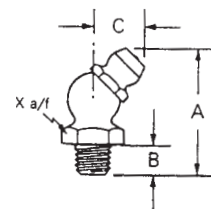
45° ANGLE

Product Code	Thread Type	Thread/Diameter	A mm	B mm	C mm	A/F
310645	BSF	1/4 x 26	22.4	5.1	8.9	3/8
311945	BSF	5/16 x 22	22.6	5.6	8.9	3/8
616945	BSP	1/8 x 28	23.6	5.6	9.7	7/16
614745	BSP	1/4 x 19	27.4	8.6	9.9	9/16
211637	UNF	1/4 x 28 (Taper)	22.4	5.1	8.9	3/8
211636	UNF	1/4 x 28 (0.3" long)	24.6	7.6	8.9	3/8
211688	NPT	1/8 x 27	24.9	6.9	9.7	7/16
617045	Metric	M6 x 1	22.6	5.6	8.9	9mm
617445	Metric	M8 x 1	22.6	5.6	8.9	9mm
617545	Metric	M8 x 1.25	22.6	5.6	8.9	9mm
619345	Metric	M10 x 1	23.5	5.6	9.7	11mm
617945	Metric	M10 x 1.5	24.9	6.9	9.7	11mm



65° ANGLE

Product Code	Thread Type	Thread/Diameter	A mm	B mm	C mm	A/F
211665	UNF	1/4 x 28 (Taper)	19.3	5.1	10.4	3/8
211612	NPT	1/8 x 27	22.4	6.9	11.7	7/16
211629	NPT	1/4 x 18	24.3	8.6	11.7	9/16

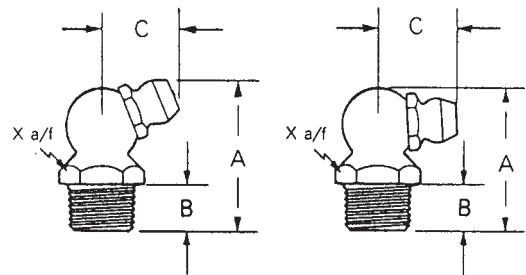


STEEL GREASE NIPPLES

Mild steel case hardened head. Zinc plated.
Stress relieved carbon steel spring. Carbon steel ball

67 1/2° ANGLE

Product Code	Thread Type	Thread	A mm	B mm	C mm	A/F
310667	BSF	1/4 x 26	19.3	5.1	10.4	3/8
311967	BSF	5/16 x 22	19.8	5.6	10.4	3/8
616967	BSP	1/8 x 28	20.3	5.6	11.7	9/16
614767	BSP	1/4 x 19	24.4	8.6	11.7	9/16



90° ANGLE

Product Code	Thread Type	Thread	A mm	B mm	C mm	A/F
310690	BSF	1/4 x 26	17.5	5.1	10.7	3/8
311990	BSF	5/16 x 22	18.0	5.6	10.7	3/8
616990	BSP	1/8 x 28	19.1	5.6	11.9	7/16
614790	BSP	1/4 x 19	23.4	8.6	11.9	9/16
211911	UNF	1/4 x 28	17.5	5.1	10.7	3/8
211613	NPT	1/8 x 27	20.8	6.9	11.9	7/16
617090	Metric	M6 x 1	18.0	5.6	10.7	9mm
617490	Metric	M8 x 1	18.0	5.6	10.7	9mm
617590	Metric	M8 x 1.25	18.0	5.6	10.7	9mm
619390	Metric	M10 x 1	19.0	5.6	11.9	11mm
617990	Metric	M10 x 1.5	20.0	6.9	11.9	11mm

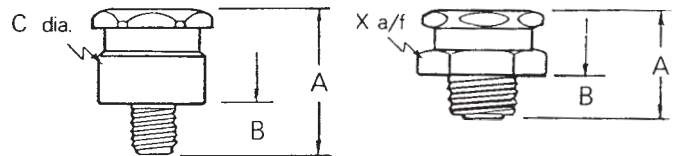
STANDARD BUTTON HEAD

Product Code	Thread Type	Thread	A mm	B mm	C mm	A/F
320201	BSF	1/4 Two Piece	19.6	5.8	14.3	.600"
321101	BSF	3/8 x 20	15.0	6.1	-	.600"
324001	BSP	1/8 x 28	15.0	6.1	-	.600"
325201	BSP	1/4 x 19	18.8	9.9	-	.600"



BUTTON HEAD

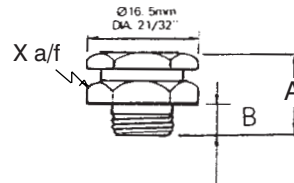
Product Code	Thread Type	Thread	A mm	B mm	A/F mm
TIB-6-2-M	Metric	M6 x 1	16	6	15
TIB-8-2-M	Metric	M8 x 1			
TIB-8-3-M	Metric	M8 x 1.25			
TIB-10-2-M	Metric	M10 x 1			
TIB-10-4-M	Metric	M10 x 1.5			
TIB-2-NT	NPT	1/8 NPT			



BUTTON HEAD

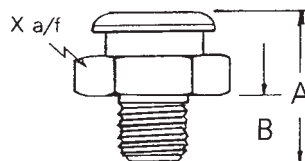
Material - Body, BRASS
Ball & Spring - BERYLIUM

Product Code	Thread Type	Thread	A mm	B mm	A/F mm
TIB-2-BP-BR	BSP	1/8 x 28	15	6	15
TIB-4-BP-BR	BSP	1/4 x 19			



BRITISH STANDARD INDUSTRIAL

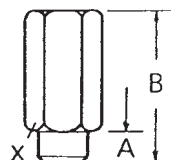
Product Code	Thread Type	Thread	A mm	B mm	A/F
327101	BSP	1/8 X 28	20.3	9.1	.710"
327501	BSP	1/4 X 19	22.6	11.4	.710"
327901	BSP	3/8 X 19	22.6	11.4	.710"



EXTENSIONS

Material - Steel, ZINC PLATE

Product Code	Thread Type	Thread	A mm	B mm	A/F mm
911531	BSP	1/8 X 28	6.6	19.3	14
911535	BSP	1/8 X 28	6.6	32.0	14



STAINLESS STEEL NIPPLES

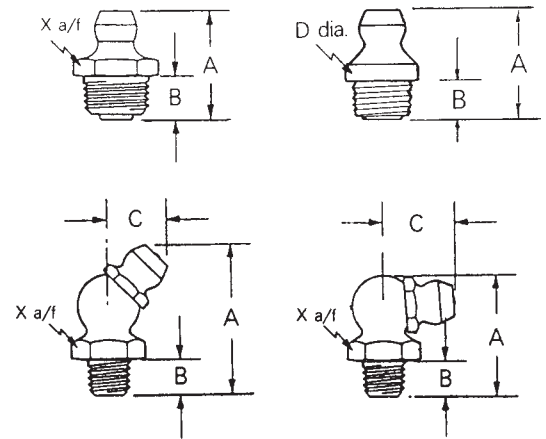
STRAIGHT

Product Code	Thread Type	Thread/Diameter	A mm	B mm	D Diameter	A/F
808014	BSP	1/8 x 28	15.2	5.8	-	7/16
808103	BSP	1/4 x 19	20.3	8.4	-	9/16
808025	UNF	1/4 x 28	13.7	5.1	-	5/16
808082	NPT	1/8 x 27	15.8	6.4	-	7/16
808126	NPT	1/4 x 18	20.8	8.9	-	9/16
808036	Metric	M6 x 1	13.7	4.8	-	7mm
808058	Metric	M8 x 1	15.0	5.8	-	9mm
808071	Metric	M10 x 1	15.2	5.8	-	11mm
808028	Drive Fit	3/16	12.7	5.3	8	-
808043	Drive Fit	1/4	12.7	5.3	8	-



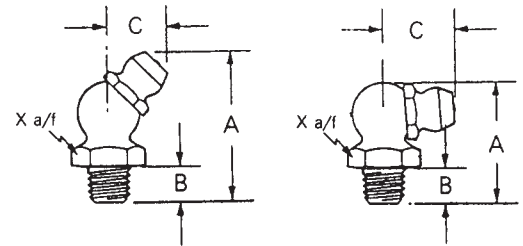
45° ANGLE

Product Code	Thread Type	Thread/Diameter	A mm	B mm	C mm	A/F
811445	BSP	1/8 x 28	20.6	5.6	10.4	7/16
812545	UNF	1/4 x 28	22.4	5.1	9.4	3/8
818245	NPT	1/8 x 27	25.2	6.9	10.2	7/16
813645	Metric	M6 x 1	22.6	5.6	8.9	9mm
815845	Metric	M8 x 1	22.4	5.6	8.9	9mm
817145	Metric	M10 x 1	23.1	5.6	10.4	11mm



90° ANGLE

Product Code	Thread Type	Thread/Diameter	A mm	B mm	C mm	A/F
811490	BSP	1/8 x 28	19.0	5.6	12.2	7/16
812590	UNF	1/4 x 28	17.5	5.1	11.2	3/8
818290	NPT	1/8 x 27	20.8	6.9	11.9	7/16
813690	Metric	M6 x 1	18.0	5.6	11.2	9mm
815890	Metric	M8 x 1	17.8	5.6	10.7	9mm
817190	Metric	M10 x 1	19.0	5.6	12.1	11mm



BUTTON HEAD

Product Code	Thread Type	Thread/Diameter	A mm	B mm	A/F mm
TIB-2-BP-SS	BSP	1/8 X 28	16	6	15
TIB-4-BP-SS	BSP	1/4 X 19	16	6	15

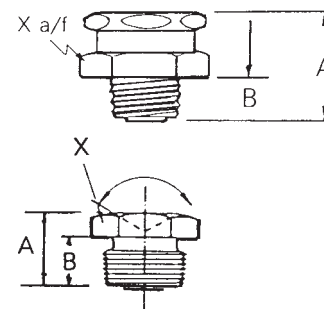
Material; Body 1.4305 Spring 1.4034. Ball 1.4310



STEEL GREASE NIPPLES

CONCAVE

Product Code	Thread Type	Thread/Diameter	A mm	B mm	A/F mm
D1-2-BP	BSP	1/8 X 28	9.5	6.5	11
D1-4-BP	BSP	1/4 X 19	14.0	9.5	14
D1-6-2-M	Metric	M6 x 1.0	8.5	5.5	7
D1-8-2-M	Metric	M8 x 1.0	9.5	6.5	7
D1-8-3-M	Metric	M8 x 1.25	9.5	6.5	9
D1-10-2-M	Metric	M10 x 1.0	9.5	6.5	11
DIA-6-M	Drive Fit	6 mm	7.5	5.5	-
DIA-8-M	Drive Fit	8 mm	9.5	6.5	-



Mild steel case hardened head - Zinc plated - Stress relieved carbon steel spring.

Adams



Grease Fittings & Accessories

Barrettes de Graissage et Accessoires

Schottverschraubungen & Zubehör

Grease Fittings and Accessories

When it is difficult to reach a grease lubrication point, the equipment shown in this section enables it to be reached from outside. When used with the tubes and fittings shown, lubrication by grease gun can be carried out while the machine is operating.

Barrettes de Graissage et Accessoires

Lorsque le point de lubrification est difficile d'accès, les matériels de cette section permettent de le ramener à l'extérieur de la zone. Utilisés avec les tuyauteries et les raccords nécessaires, la lubrification peut être effectuée au pistolet à graisse, même pendant le fonctionnement de la machine.

Schottverschraubungen & Zubehör

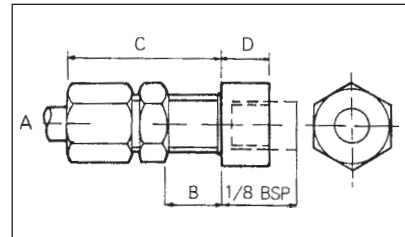
Wenn der Schmierpunkt an einer unzugänglichen Stelle liegt, kann er mit Hilfe dieser Einrichtung herausgelegt werden. Mit einer entsprechenden Montageschiene können mehrere Schmierstellen an einem Ort zusammengeführt werden.

Rohre und Fittings als Zubehör ermöglichen die Schmierung sogar bei laufender Maschine.

BULKHEAD FITTING

Supplied complete with compression nut and sleeve.

Product Code	A Diameter	B mm	C mm	D mm	Clear Hole mm
BPA 3/1	3/16"	8	25	13	10
BPA 3/2	3/16"	14	32	13	10
BPA 4/1	1/4" OD	12	32	13	11.5
BPA 4/2	1/4" OD	20	38	13	11.5
BPA 6M/1	6mm OD	12	32	13	11.5
BPA 6M/2	6mm OD	20	38	13	11.5



Material - BRASS Finish - NATURAL

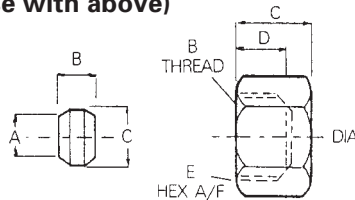
COMPRESSION NUT (optional for use with above)

Product Code	A Diameter	B Thread	C mm	D mm	E mm
BPA 3/N	3/16" OD	1/8" BSP	10.5	8	11
BPA 4/N	1/4" OD	11mm x 1	12	8	14
BPA 6M/N	6mm OD	11mm x 1	12	8	14

Material - BRASS Finish - NATURAL

COMPRESSION SLEEVE (optional for use with above)

Product Code	A Diameter	B mm	C mm
BPA 3/S	3/16" ID	6.5	7
BPA 4/S	1/4" ID	6.5	8.5
BPA 6M/S	6mm OD	6.5	8



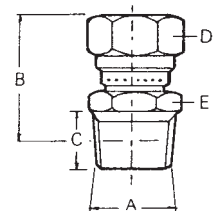
Material - BRASS Finish - NATURAL

STRAIGHT FITTINGS

Supplied with compression nut and sleeve

Product Code	Tube OD	A Thread	B mm	C mm	D mm	E mm	Suitable Nut	Suitable Sleeve
7061	3/16"	1/8" BSP	16	9.5	11.30	11.30	1001	1021
7063/1	1/4"	1/8" BSP	18.4	9.5	13.30	15.7	1003	1023

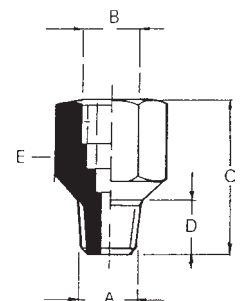
Material - BRASS Finish - NATURAL



Not supplied with compression nut and sleeve. See opposite sheet for details.

Product Code	Tube OD	A Thread	B Thread	C mm	D mm	E mm	Suitable Nut	Suitable Sleeve
LV 90069	6mm	M6x1	M10x1	22	7	13	LV 90460	LV 90560
LV 90059	6mm	M8x1	M10x1	21	7	13		
LV 90067	6mm	M8x1.25	M10x1	22	6	13		
LV 90060	6mm	M10x1	M10x1	18	6	13		
LV 90068	6mm	M10x1.5	M10x1	20	6	13		
LV 90062	6mm	1/8" BSP	M10x1	18	6	13		

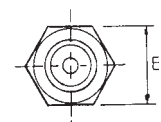
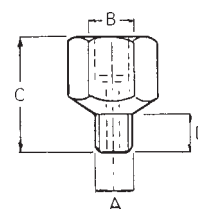
Material - BRASS Finish - NATURAL



Not for use with compression nut and sleeve.

Product Code	A Thread	B Thread	C mm	D mm	E mm
50-1202-02	1/4" UNF	1/8" BSP	19	6.35	12.7
50-1202-03	5/16" UNF	1/8" BSP	19	8	12.7

Material - STEEL Finish - ZINC PLATED.

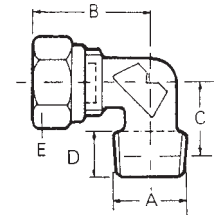


ELBOW FITTINGS - 90 DEGREES

Complete with compression nut and sleeve

Product Code	Tube OD	A Thread	B mm	C mm	D mm	E mm	Suitable Nut	Suitable Sleeve
8021	3/16"	1/8" BSP	22	18.24	9.5	11.30	1001	1021
8023/1	1/4"	1/8" BSP	23.80	18.24	9.5	15.7	1003	1023

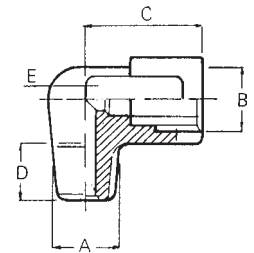
Material - BRASS Finish - NATURAL



Not supplied with compression nut and sleeve. See below for details.

Product Code	Tube OD	A Thread	B Thread	C mm	D mm	E mm	Suitable Nut	Suitable Sleeve
LV 90103	6 mm	M6x1	M10x1	17	5.5	14	LV 90460	LV 90560
LV 90096	6 mm	M8x1	M10x1	17	5.5	14		
LV 90097	6 mm	M8x1.25	M10x1	17	5.5	14		
LV 90099	6 mm	M10x1	M10x1	17	5.5	14		
LV 90105	6 mm	M10x1.25	M10x1	17	5.5	14		
LV 90098	6 mm	1/8" BSP	M10x1	17	6.5	14		

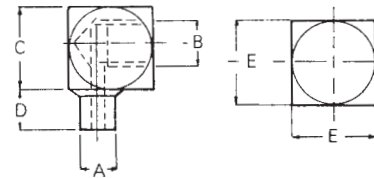
Material - BRASS Finish - NATURAL



Not for use with compression nuts and sleeve

Product Code	A Thread	B Thread	C mm	D mm	E mm
51-1402-03	1/4" UNF	1/8" BSP	14.20	6.35	14.20
51-1402-02	5/16" UNF	1/8" BSP	14.20	6.35	14.20

Material - STEEL Finish - ZINC PLATED.

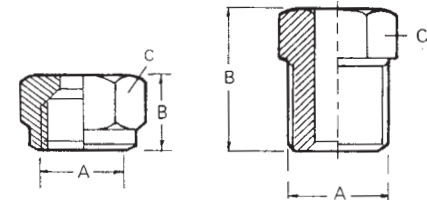


COMPRESSION TUBE NUTS AND SLEEVES.

Tube nuts

Product Code	Tube OD	A Thread	B mm	C mm
1001	3/16"	1/8" BSP	10	11.30
1003	1/4"	1/4" BSP	11	15.27
LV 90460	6mm	M10x1	13	10

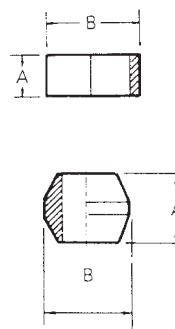
Material - 1&2 BRASS Finish - NATURAL
3 - STEEL Finish - BLACK ANODISED



Tube sleeves

Product Code	Tube OD	A mm	B mm
1021	3/16"	5.5	6.2
1023	1/4"	6.35	8
LV 90560	6 mm	6.5	8

Material - BRASS Finish - NATURAL



Grease nipples suitable for use with the above are shown within this catalogue



TUBING.

Nylon tube. High pressure. Colour Black

Product Code	Tube OD	Short time burst pressure
135168	3/16"	176 Bar
135169	1/4"	176 Bar
151027	6 mm	176 Bar

Copper tube. Standard duty. Half hard.

Product Code	Tube OD	Maximum Pressure
40 0051 03	3/16"	192 Bar
40 0051 04	1/4"	184 Bar
40 1021 04	6 mm	218 Bar

Double wall brazed steel tube (Bundy).

Product Code	Tube OD	Maximum Pressure
40 0067 03	3/16"	340 Bar
40 0067 04	1/4"	300 Bar
40 1066 04	6 mm	300 Bar



TUBING CLIPS

Single Tube.

Product Code	Tube OD	A mm	B mm
34 0218 03	3/16"	20.3	5.1
34 0218 04	1/4"	21.8	5.1
34 0218 04	6 mm		

Double Tube.

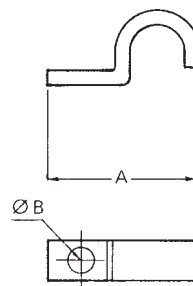
Product Code	Tube OD	A mm	B mm
34 0219 03	3/16"	27.9	5.1
34 0219 04	1/4"	32.0	5.1
34 0219 04	6 mm		



Triple Tube.

Product Code	Tube OD	A mm	B mm
34 0220 03	3/16"	32.0	5.1
34 0220 04	1/4"	40.0	5.1
34 0220 04	6 mm		

Material - STEEL Finish - PLATED



Adams



Grease Guns Oil Cans & Funnels

Pistolets à Graisse, Burettes et Entonnoirs

Fettpressen, Ölkannen & Trichter

Grease Guns, Oil Cans and Funnels

A range of grease guns, oil cans, funnels and lubrication pumps suitable for use with the equipment described in this catalogue. Also shown is a range of accessories for use with grease guns.

Pistolets à Graisse, Burettes et Entonnoirs

Une gamme de pistolets graisseurs, de burettes, d'entonnoirs et de pompes de lubrification complète les équipements précédents. Cette section décrit également les accessoires pour pistolets graisseurs.

Fettpressen, Ölkannen & Trichter

Ein breites Angebot an Fettpressen, Ölkannen, Trichtern und Schmierpumpen, geeignet für die vorher gezeigten Einrichtungen, ferner Zubehör für Fettpressen.

POLYETHYLENE FUNNELS

- *Robust Durable Construction
- *Chemical and Oil Resistant

02360	Funnel set comprising of 50,75,100,&120mm diameter funnels.
02363	100mm diameter. 0.25 litre capacity.
02364	120mm diameter. 0.27 litre capacity.
02365	150mm diameter. 0.70 litre capacity.



- *Anti-splash Rim
- * Removable Brass Filter

02372	160mm diameter 1.3 litre capacity with integral handle
02562	160mm diameter. 1.3 litre capacity with integral handle and rigid off set spout
02566	200mm diameter. 2.9 litre capacity with 300mm detachable flexible spout..
02567	250mm diameter. 3.2 litre capacity with 300mm detachable flexible spout.



POLYETHYLENE LIQUID MEASURES

Integral Dispensing Spout

07361	0.5 litre capacity.
07362	1 litre capacity.
07363	2 litre capacity.
07364	3 litre capacity.
07365	5 litre capacity.



METAL OILERS

With Brass Pump, Rigid and Superflex Discharge Spouts

05223	250ML capacity.
05224	350ML capacity.
05225	500ML capacity.
05226	750ML capacity.

- *Robust Seamless Drawn Body.
- *Open Design Handle Providing Safe and Positive Control

- *Durable Paint Finish
- *Force Fed Pump with Double Ball Valves.

ONE HAND OPERATED GREASE GUNS

- *Easy to Clean Removable Plunger Rod assembly
- *Zinc Die Cast Head with precision machined Cylinder and Steel Piston.
- Specifically designed for use in confined spaces.

12250	500ccm capacity with Bulk Filling Nipple, Straight rigid delivery tube and 3 Jaw Hydraulic connector
12276	125ccm capacity with Bulk Filling Nipple. Straight rigid delivery tube and 3 Jaw Hydraulic connector

UNIVERSAL GREASE GUN

- *Zinc Die Head with precision machined Cylinder and Steel Piston.
- *Unique Air Venting Ducts.
- *Rubber Plunger specifically designed to operate with Cartridge or Bulk Grease
- *Exclusive "Posi-Lok" Plunger Rod assembly designed to eliminate problematical air pockets, damaged cartridges or uneven grease flow.
- *Easy to clean removable Plunger Rod assembly

12733-699	500ccm capacity with 8mm, high pressure flexible grease hose and 4 jaw hydraulic connector.
12734-699	500ccm capacity with rigid angled delivery tube and 4 jaw hydraulic connector.



PUSH TYPE OIL AND GREASE GUN

- *Steel Body with Pointed and Universal Connectors.

12362	80ml capacity
12363	150ml capacity
12365	300ml capacity

LEVER OPERATED OIL GUN

- *Zinc Die Cast Head with precision machined Cylinder and Steel Piston.

12602	500ml capacity with rigid angled delivery tube and 3 Jaw Hydraulic connector with Ball Check Valve.
-------	---

CONNECTORS

- *1/8" BSP Connecting Threads

12731	4 Jaw hardened with machined Shanks.
12001	Slide-on Connector to suit Button Head Grease Nipples.
12072	Universal Connector.
12073	Pointed Connector.
12074	Hook-on Connector to suit Button Head Grease Nipples.
12475	Straight rigid Delivery Tube.
12735	Rigid Angled Delivery Tube.



HIGH PRESSURE FLEXIBLE GREASE HOSES

- *400 Bar operating pressure.
- *800 Bar maximum pressure.
- *900 Bar test pressure.
- *Conforming to Din specification.

12571	11mm x 230mm Rubber.
12755	11mm x 300mm Rubber
12765	11mm x 500mm Rubber
12753	8mm x 230mm Plastic
12756	8mm x 300mm Plastic
12766	8mm x 500mm Plastic



MANUAL LUBRICATING SYSTEM.

- Containing:
- Manual Pump Unit,
 - Dust Cover.
 - Adjustable stabilising-fixing Bracket,
 - Follower Plate.
 - Flexible Rubber Discharge Hose.
 - Female brass Quick Release Connector.
 - One hand operated Grease Gun with male brass Quick Release Connector.
 - Straight rigid Delivery Tube and Hydraulic Connector.

17615	To suit 12.5kgm containers
17630	To suit 25kgm containers



DIRECT HIGH PRESSURE LUBRICATING SYSTEM

- Containing:
- Manual high pressure Pump Unit.
 - Metal Dust Cover with integral stabilising fixing mechanism.
 - Follower Plate,
 - 1.2 metre high pressure Grease Hose.
 - Rigid angled Delivery Tube and 4 Jaw Hydraulic connector.

17693-698	To suit 25kgm containers
-----------	--------------------------



STANDARD CONDITIONS

- Under these conditions, where not inconsistent with the subject or context, the following expressions shall have the meanings set opposite thereto respectively:-
Company: Adams Lubetech Limited
Purchaser: The person, firm or company whose order is accepted by the company.
Equipment: Refers to the goods or any part thereof (whatever their description) which are the subject of this contract.
- No representative or agent of the Company has any authority to vary or add to these Standard Conditions except with the confirmation in writing of a duly authorised officer of the Company. In the event of any conflict or inconsistency between these conditions and the Purchaser's terms or conditions these Conditions shall prevail.
- The Purchaser must provide the Company with all the information necessary to enable the Company to proceed with the order. All information must be supplied within a reasonable time, otherwise the Company may at its option cancel the order or charge the Purchaser an additional price for the delay. In case of cancellation the Purchaser will be liable for any loss incurred by it.
- (A) Warranty. The Company undertakes, subject to paragraph (B) below, to replace or at its option repair, free of cost, the Equipment or any part or parts thereof supplied by it which shall be proved to the satisfaction of the Company to be defective by reason solely of faulty materials or workmanship supplied or performed by the Company provided that such defect arises within a period of:- Twelve months from the date when the goods were despatched, at the end of which period all liability of the Company shall cease.
(B) The Company's liability under paragraph (A) is subject to the following conditions:-
 - written notice of the defect with full details thereof is received by the Company within seven days of the discovery of the defect;
 - the defective Equipment or part or parts thereof is/are returned, satisfactorily packed, at the risk of the Purchaser, carriage paid, to the Company or to such persons as the Company may direct, and in the event of a replacement or part or parts thereof shall become the property of the Company;
 - that the defect has not been caused by carelessness, improper treatment or any willful or negligent act or omission or by any omission to comply with any instructions given by the Company or by any use of the Equipment or any parts other than those complying with the Company's specification and obtained from a supplier approved by the Company;
 - the Company shall not be liable for the cost, including labour, of removal of a defective part of the Equipment or the like cost of fitting the new part;
 - that when the warranty period is expressed merely as a number of months such a period shall be halved if the Equipment is run on a multi-shift basis;
 - returned goods will only be accepted on consideration of the individual case, subject to a 15% handling charge. Special goods or standard items with modifications are not returnable.
(C) In the case of parts or components not manufactured by the Company, the Purchaser will only be entitled to the benefit, insofar as it may be transferred to the Purchaser, of any rights which the Company may have against the supplier of such parts or components in respect thereof and the Company's liability in such cases is limited to making the benefit of such rights available to the Purchaser to the extent of the aforesaid.
- (A) Subject to clause 4 (C) and except to the extent to which this Paragraph(A) may be held to be void or unenforceable under or by virtue of any provision contained in the Sale of Goods Act 1893 (as amended by the Supply of Goods (implied terms) Act 1973) or any statutory modification or reenactment thereof for the time being in force, the undertaking set out in Clause 4 (A) is in lieu of, and excludes any other conditions or warranties expressed or implied, statutory or otherwise, save for the conditions or warranties implied by Section 12 of the Sale of Goods Act 1893 (as amended) and the company shall not be liable for any loss, injury or damage howsoever caused or arising except to the extent if any to which it may be liable under the undertaking set out in Clause 4(A).
(B) If it should be held in relation to any particular contract that paragraph (A) of this Clause is not effective to exclude altogether any such condition or warranty as is therein mentioned, then:-
 - any breach by the Company of any such condition or warranty as may be held to apply in relation to such contract shall not entitle the Purchaser to reject the Equipment, but shall entitle it to damage only;
 - the damage recoverable by the Purchaser in respect of any breach by the Company of any such condition or warranty shall be limited to the reasonable cost of remedying the defect or other matter constituting such breach (provided that the Company shall first be afforded the opportunity of itself carrying out the remedial work) and the Company shall not under any circumstances be liable for any other loss or injury or damage suffered by reason of such breach.
- In no event shall the Company be liable whether in contract or tort for any loss of use, contracts or of profits or any form of consequential loss howsoever caused or for any personal loss or injury and the Purchaser will indemnify the Company against all liability in respect thereof.
- Times or dates for despatch or performance are business estimates only and not contractual obligations of the Company. The Company will make any reasonable endeavour to despatch or perform by the time or date given but will not in any circumstances be liable for loss claimed to have arisen from any delay.
- Unless specifically guaranteed in writing no dimension, details or statements as to capacity, output or power specified or contained in any drawings, catalogues, shipping specifications or other documents or illustrations are to be treated as contractual. The Company reserves the right to make such changes in specifications as conditions beyond its control may require or will in its judgement be improvements. There is no obligation on the Company to inform the Purchaser that such changes in specification have been made.
- The Company shall not be liable for any adaptation of the Company's design to the Purchaser's own circumstances.
- Where the Company provides any labour on the Purchaser's site the Purchaser shall indemnify the Company against the consequences of any defect or unsuitability of any tackle or apparatus provided by the Purchaser and against all liabilities for damages, costs and expenses arising out of the death or personal injury to any person or damage to any property howsoever caused provided that this indemnity shall not apply to liabilities arising solely from the negligence of the Company or its employees.
- Prices shall be those current at the date of despatch unless otherwise agreed in writing.
- Payments shall be made to the Company in accordance with the Company's terms. Cheques or money orders must be made payable to the Company and only the Company's official receipt shall be valid. A receipt shall only be issued if specifically requested by the Purchaser.
- The contract price will be payable by the Purchaser in strict accordance with the contract terms notwithstanding any delay in despatch or performance under the contract or any adjustments or corrections of defects which may be required to the Equipment or work. The Company may suspend performance of any contractual obligation to the Purchaser so long as any account of the Purchaser is overdue and any extra costs thereby incurred by the Company shall be reimbursed by the Purchaser. Interest will be charged on all overdue accounts, in accordance with the provisions of the Late Payment of Commercial Debts (Interest) Act 1998.
- The despatch from the Company's premises of any consignments constitutes delivery of the consignment into the Purchaser's possession notwithstanding any thing in the tender, order or contract as to place or mode of delivery or payment of carriage. After such despatch the Purchaser as bailee shall take the risk of any loss or injury thereto however caused which may occur before the property in the consignment passes to the Purchaser. The Purchaser shall keep the consignment fully insured and shall indemnify the Company against any such loss or injury.
- In no case will the property in the Equipment pass to the Purchaser until payment has been made to the Company of the full contract price for the same including the price for installation or other work (if any) done by the Company.
- In case of default by the Purchaser after despatch of the Equipment and before it has become the Purchaser's property of it, before the property in the Equipment has passed to the Purchaser, he commits an act of bankruptcy or, being a Company with limited liability, enters into liquidation or suffers a Receiver to be appointed, the Company may give notice to the Purchaser terminating the contract or the customer's right to possession, as the case may be, whereupon the Purchaser shall, if the Equipment has been despatched, be bound at the Purchaser's own expense to re-deliver the Equipment to the Company. In such cases the Company may (whether with or without previous notice) itself retake possession of the Equipment and the Company is in such circumstances irrevocably authorised by the Purchaser to enter the premises on which the Equipment is situated and to dismantle and remove the same at the Purchaser's expense.
- If any inspection or testing prior to despatch is required other than the Company's standard works inspection or tests, or inspection or tests in the presence of the Purchaser's representative, the Company shall carry out such test and inspections or provide the facilities for the same, but such inspections or tests shall be notified at the time of the order and shall be paid for by the Purchaser as an addition to the contract price.
- The Company shall not be liable in any way for loss or damage arising from industrial disputes or circumstances beyond the Company's control. If performance of any of the Company's obligations is prevented, delayed or interfered by any such circumstances the Company may suspend performance and if any such circumstance continue for more than 6 months either party may terminate the contract as to the part unperformed at the time of termination but without prejudice to the rights of the parties in respect of that part of the contract which has been performed.
- Any dispute between the Purchaser and the Company which cannot be amicably resolved shall be referred to a single arbitrator to be mutually agreed or (failing agreement) to be nominated by the President for the time being of the Confederation of British Industry and the Arbitration (Acts) for the time being in force shall apply.
- The contract is governed in all respects by English Law.
- If the Company does not receive instructions sufficient to enable the Company to despatch the Equipment within 14 days after the date of notification that it is ready for despatch in accordance with the terms of the Contract, the Purchaser shall forthwith collect the Equipment or arrange for the storage. If the Purchaser shall fail to do this, the Company shall be entitled to arrange storage either at its own works or elsewhere on the Purchaser's behalf and all charges for storage, transport, insurance and demurrage shall be payable by the Purchaser. Payments will be due under the terms of the contract as if the Equipment had been despatched.

PRODUCT CODE CODE PRODUIT ARTIKEL-NUMMER	PAGE No No PAGE SEITE	PRODUCT CODE CODE PRODUIT ARTIKEL-NUMMER	PAGE No No PAGE SEITE	PRODUCT CODE CODE PRODUIT ARTIKEL-NUMMER	PAGE No No PAGE SEITE
02360 to 02372	46	CW 4032 to 4033	29	OR 7708 to 7730	9
02562 to 02567	46	D 1914 to 1961	35	ORN 7708 to 7730	9
05223 to 05226	46	D 1914WF to 1961WF	35	OS 3471 & 3472	16
07361 to 07365	46	D1-2-BP & 4-BP	40	OSN 3471 & 3472	16
1001 to 1023	43	D1-6-2M to 10-2-M	40	PB 30 to 150	13
12001 to 12074	47	D1A-6-M & 8-M	40	PET 160 to 1150	8
12250 to 12276	47	DW 4061 to 4063	29	PETN 160 to 1150	8
12362 to 12365	47	DW 4061A to 4064A	29	PHA 60 to 120	18
12475	47	EPT 200	12	PHB 160 to 120	18
12571	48	ETR 10490 & 10491	16	PHC 60 to 120	18
12602	47	ETRN 10490 & 10491	16	POS 260 to 2150	10
12731	47	FGB 160 to 2300	28	POSN 260 to 2150	10
12733.699 & 734.699	47	FGM 150 to 4150	28	PPO 500 to 3000	13
12735	47	FGV 250 to 2300	29	PR 4300 to 4314	32
12573 to 12766	48	GB 30 to 150	13	PRE 260 to 368	9
135168 & 135169	44	GCR 11 to 83	22	PRE 280 to 4150	10
151027	44	GET 160 to 1150	8	PREN 260 to 368	9
17615 & 17630	48	GETN 160 to 1150	8	PREN 280 to 4150	10
17693.698	48	GOS 260 to 2150	10	PRS 260 to 2150	11
201607 to 211911	38 & 39	GOSN 260 to 2150	10	PRSN 260 to 2150	11
301901 to 327901	38 & 39	GPO 500 to 3000	13	PSD 460 to 4150	7
34 0218 03 & 04	44	GRE 260 4150	9	PSDN 460 to 4150	7
34 0219 03 & 04	44	GREN 260 to 4150	9	PSF 130 to 5100	4
34 0220 03 & 04	44	GRS 260 to 2150	11	PSFN 130 to 5100	4
40 0051 03 to 04	44	GRSN 260 to 2150	11	PSL 130 to 5150	6
40 0067 03 to 04	44	GSD 460 to 4150	7	PSLN 130 to 5150	6
40 1021 04	44	GSDN 460 to 4150	7	PTM 160 to 1150	8
40 1066 04	44	GSF 130 to 5100	4	PTMN 160 to 1150	8
50-1202-02 & 03	42	GSFN 130 to 5100	4	PW 4200 to 4530	31
51-1402-02 & 03	43	GSL 130 to 480	5	RCL 7780 & 7781	26
606901 to 619390	38 & 39	GSLN 130 to 480	5	RSM 80	18
7061 to 7063/1	42	GSL 4100 5150	6	SBK 1501 to 1503	20
8021 to 8023/1	43	GSLN 4100 5150	6	SBK 2501 to 2503	20
808014 to 818290	40	GTM 160 to 1150	7	SBK 3501 to 3503	20
911531 & 911535	39	GTMN 160 1150	7	SGS 280	21
A 1401 to 1414	34	I 2202 to 2215	35	SGS 280M	21
ABL 7528 & 7538	24	L 2511 to 2543	36	SGS 280S	21
ACL 7563 to 7598	24	L 2601 to 2604	36	SGSN 280	21
AH 2181 to 2183	34	LS 2616 to 2618	36	SGSN 280M	21
APO 5000 & 9000	14	L 2710 to 2713	36	SGSN 280S	21
AW 1145 to 1993	30	LV 90059 to LV 90069	42	SMM	15
B 1604 to 1650	34	LV 90096 to LV 90105	43	SPF 57	18
BGCR 11 to 83	22	LV 90460 to LV 90560	43	SPR 6.5 to 30	18
BPA 3/1 to 6M/2	42	LV 10030 & 10031	17	SWF 7701 to 7717	5
BPA 3/N to 6M/N	42	LV 10078	16	T1B-2 & 4-BP-BR	39
BPA 3/S to 6M/6	42	LV 10521	26	T1B-2 & 4-BP-SS	40
BS 1511 to 1574	34	LV 10523 to 10525	26	TIB-2-NT	39
BW 4040 P	32	LV 10640 to 10644	26	TIB-6-2-M to 10-4-M	39
BW 4040 TG	32	LVN 10078	16	USF 7402 to 7439	5
BW 4041P & PR	32	LVT 10780 & 10781	15	USFN 7402 to 7439	5
BW 4041TG & TGR	32	LVT 10780/100	12	VABL 7970 to 7992	25
BWS 4042 to 4055	32	M 3011 to 3065	36	WG 120	24
BWS 4042R to 4055	32	M 3017WF to 3065	36		
C 1730 to 2141	35	MWI 90 & 120	11		
C 2141WF	35	OL 4279 to 4286	29		