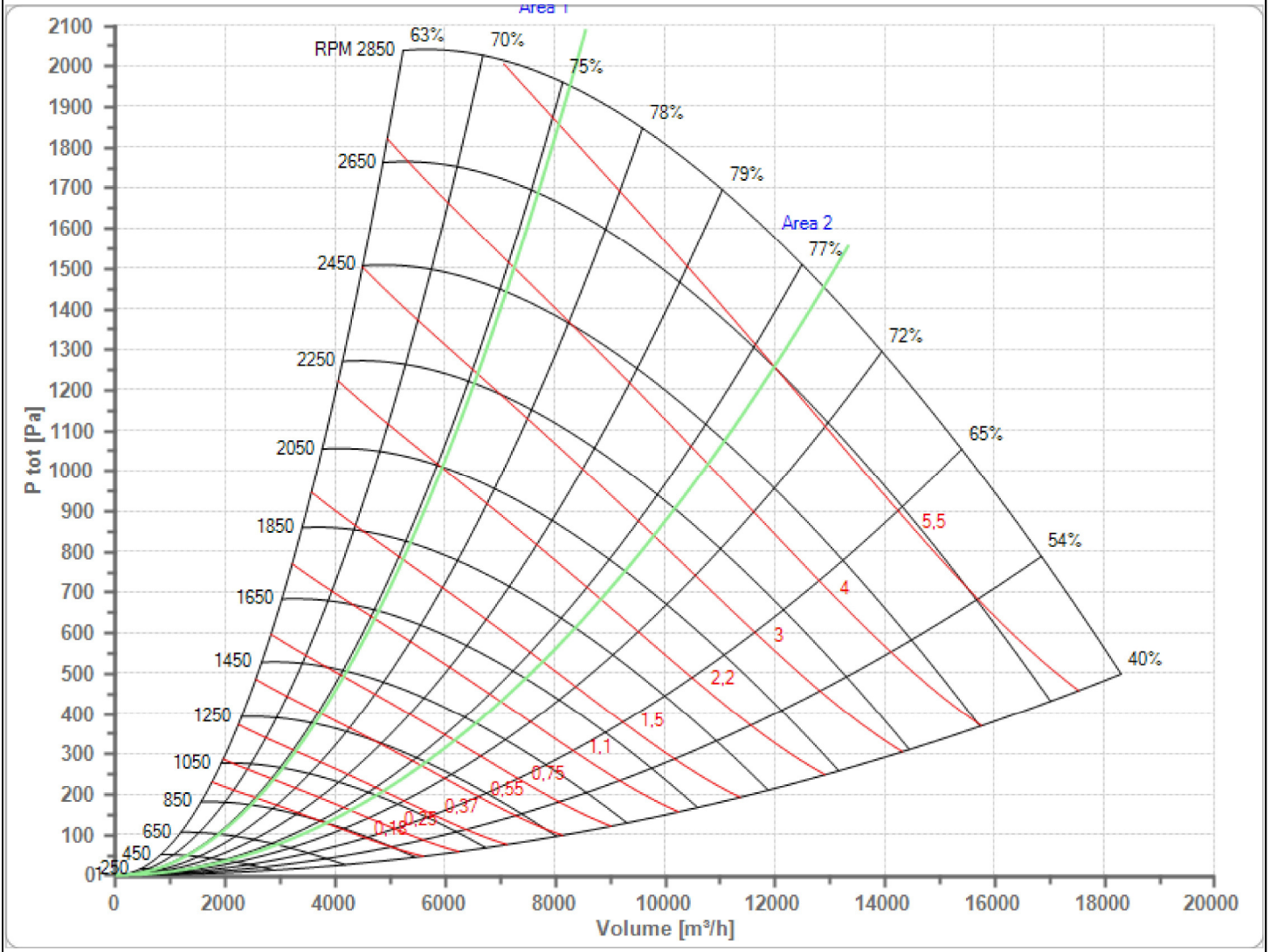


Selected Fan
n Max

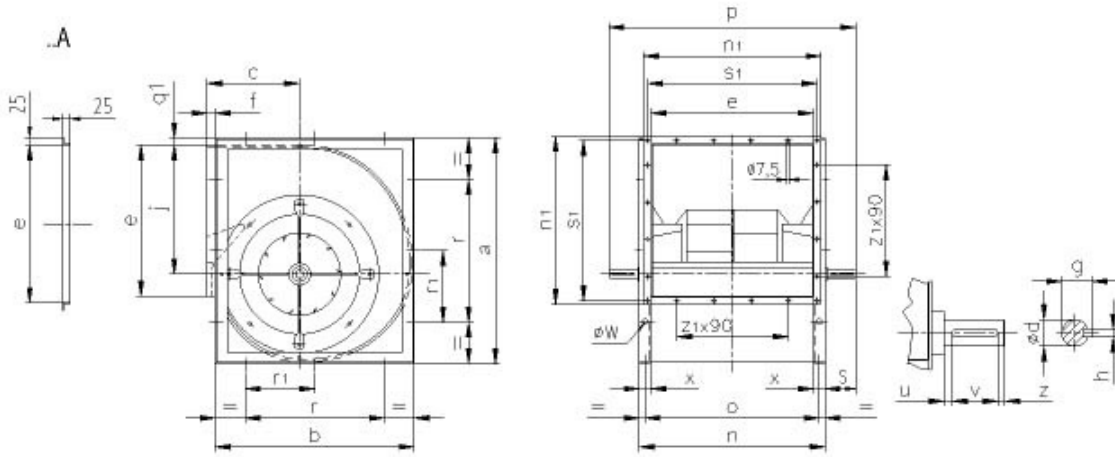
THLZ 400 R
2850 1/min

Fan working conditions
Pw Max

Free Inlet - Free Outlet
7.50 kW



Selected Fan THLZ 400 R



a	b	c	e	f	g	h	j	n	n1
736	606	291	507	45	33	8	432	587	557
o	ød	øw	p	q1	r	r1	s	s1	u
547	30	10	709	4	355	177.5	61	537	7
v	x	z	z1						
40	40	10	5						