

Directional valves ▶ Electrically operated

5/2-directional valve, Series TC15

- ▶ Qn = 1500 l/min ▶ Pilot valve width: 15 mm ▶ pipe connection ▶ Compressed air connection output: G 1/4
- ▶ Electr. connection: Plug, ISO 15217, form C ▶ Manual override: with detent ▶ single solenoid, double solenoid



00137795

<p>Version</p> <p>Sealing principle</p> <p>Mounting on manifold strip</p> <p>Working pressure min./max.</p> <p>Control pressure min./max.</p> <p>Ambient temperature min./max.</p> <p>Medium temperature min./max.</p> <p>Medium</p> <p>Max. particle size</p> <p>Oil content of compressed air</p> <p>Nominal flow Qn</p> <p>Connector standard</p> <p>Protection class with connection</p> <p>Duty cycle</p> <p>Generic emission standard in accordance with</p> <p>Mounting screw tightening torque</p> <p>Weight</p> <p>Materials:</p> <p>Housing</p> <p>Seals</p> <p>Front plate</p>	<p>Spool valve, zero overlap</p> <p>Soft sealing</p> <p>P-strip</p> <p>See table below</p> <p>See table below</p> <p>-10 °C / +50 °C</p> <p>-10 °C / +50 °C</p> <p>Compressed air</p> <p>5 µm</p> <p>0 mg/m³ - 5 mg/m³</p> <p>1500 l/min</p> <p>ISO 15217</p> <p>IP65</p> <p>100 %</p> <p>EN 50081:1992</p> <p>2.5 Nm</p> <p>See table below</p> <p>Polyamide, fiber-glass reinforced</p> <p>Acrylonitrile Butadiene Rubber; Hydrogenated nitrile butadiene rubber</p> <p>Polyamide, fiber-glass reinforced</p>
--	---

Technical Remarks	
<ul style="list-style-type: none"> ■ The min. control pressure must be adhered to, since otherwise faulty switching and valve failure may result! ■ The pressure dew point must be at least 15 °C under ambient and medium temperature and may not exceed 3 °C. ■ The oil content of compressed air must remain constant during the life cycle. ■ Use only the approved oils from AVENTICS, see chapter „Technical information“. 	

Operational voltage	Voltage tolerance	Power consumption
DC	DC	DC
		W
24 V	-10% / +10%	2

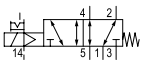

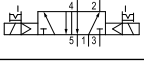
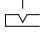
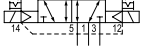

	MO	Compressed air connection				Operational voltage	Power consumption	Flow conductance	Part No.
		Input	Output	Exhaust	Pilot connection				
							DC	b	
							[W]		
		G 1/4	G 1/4	G 1/4	-	24 V	2	0.33	0820058001
		G 1/4	G 1/4	G 1/4	M5	24 V	2	0.33	0820058051
		G 1/4	G 1/4	G 1/4	-	24 V	2	0.33	0820058026 R422103063

Directional valves ▶ Electrically operated

5/2-directional valve, Series TC15

▶ Qn = 1500 l/min ▶ Pilot valve width: 15 mm ▶ pipe connection ▶ Compressed air connection output: G 1/4

▶ Electr. connection: Plug, ISO 15217, form C ▶ Manual override: with detent ▶ single solenoid, double solenoid

	MO	Compressed air connection				Operational voltage	Power consumption	Flow conductance	Part No.
		Input	Output	Exhaust	Pilot connection				
						DC	DC	b	
							[W]		
		G 1/4	G 1/4	G 1/4	M5	24 V -	2 -	0.33	0820058076 R422103065
		G 1/4	G 1/4	G 1/4	-	24 V -	2 -	0.33	0820058501 R422103067
		G 1/4	G 1/4	G 1/4	M5	24 V -	2 -	0.33	0820058551 R422103069

Part No.	Flow conductance	Nominal resistance	Working pressure min./max.	Control pressure min./max.	Switch-on time	Switch-off time	Weight	Note
	C							
	[l/(s*bar)]	[Ω]	[bar]	[bar]	[ms]	[ms]	[kg]	
0820058001	6.8	280	2.5 / 10	2.5 / 10	21	22	0.235	1)
0820058051	6.8	280	-0.9 / 10	2.5 / 10	21	22	0.235	2)
0820058026 R422103063	6.8	280 -	3 / 10	3 / 10	12	35	0.235	1) 1); 3)
0820058076 R422103065	6.8	280 -	-0.9 / 10	3 / 10	12	35	0.235	2) 2); 3)
0820058501 R422103067	6.8	280 -	2 / 10	2 / 10	10	10	0.263	1) 1); 3)
0820058551 R422103069	6.8	280 -	-0.9 / 10	2 / 10	10	10	0.263	2) 2); 3)

MO = Manual override

1) Pilot: internal

2) Pilot: external

3) Basic valve without coil

push-in fitting: Brass, nickel-plated; Die cast zinc, chrome-plated

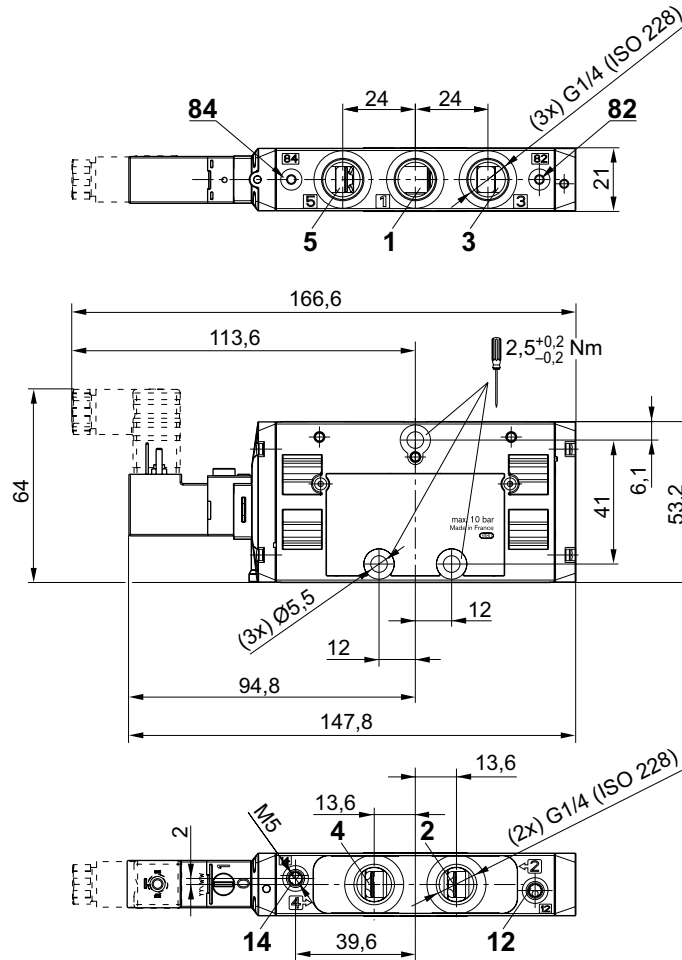
Nominal flow Qn at 6 bar and Δp = 1 bar

Directional valves ▶ Electrically operated

5/2-directional valve, Series TC15

- ▶ Qn = 1500 l/min ▶ Pilot valve width: 15 mm ▶ pipe connection ▶ Compressed air connection output: G 1/4
- ▶ Electr. connection: Plug, ISO 15217, form C ▶ Manual override: with detent ▶ single solenoid, double solenoid

Dimensions, single solenoid

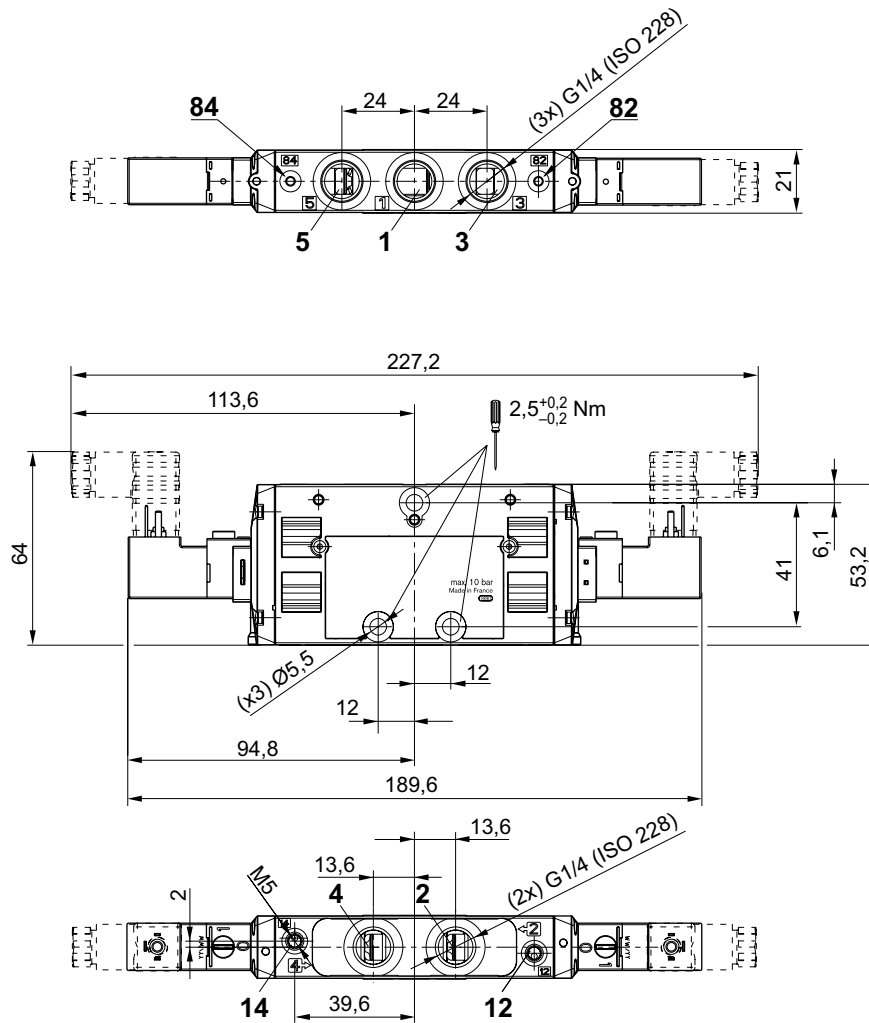


00111341_a

5/2-directional valve, Series TC15

- ▶ $Q_n = 1500 \text{ l/min}$ ▶ Pilot valve width: 15 mm ▶ pipe connection ▶ Compressed air connection output: G 1/4
- ▶ Electr. connection: Plug, ISO 15217, form C ▶ Manual override: with detent ▶ single solenoid, double solenoid

Dimensions, double solenoid



00111342_a