

EE160

Humidity and Temperature Transmitter for HVAC Applications

Specially designed for HVAC, the EE160 sensor by E+E Elektronik is a cost-effective, highly accurate and reliable solution for measuring relative air humidity and temperature. The enclosure minimizes installation costs and provides outstanding protection against contamination and condensation, thus ensuring flawless operation.

The EE160 employs the new humidity/temperature E+E sensor element HCT01 with excellent long term stability and resistance against pollutants. In combination with a long calibration experience, the EE160 provides a measurement accuracy of $\pm 2.5\%$ RH and is available for wall or duct-mounted with current, voltage BACnet MS/TP or Modbus RTU output.



A configurator makes it possible to freely select the scaling of the temperature output and configure the RS485 parameters. The configurator software, which is free of charge, allows additionally for an on-site adjustment of the humidity and temperature.

Features

Appropriate for US mounting requirements

- » Knockout for 1/2" conduit fitting

External mounting holes

- » Mounting with closed cover
- » Electronics protected against construction site pollution
- » Easy and fast mounting

Electronics on the underside of the PCB

- » Optimum protection against mechanical damage during installation

Cast Electronics

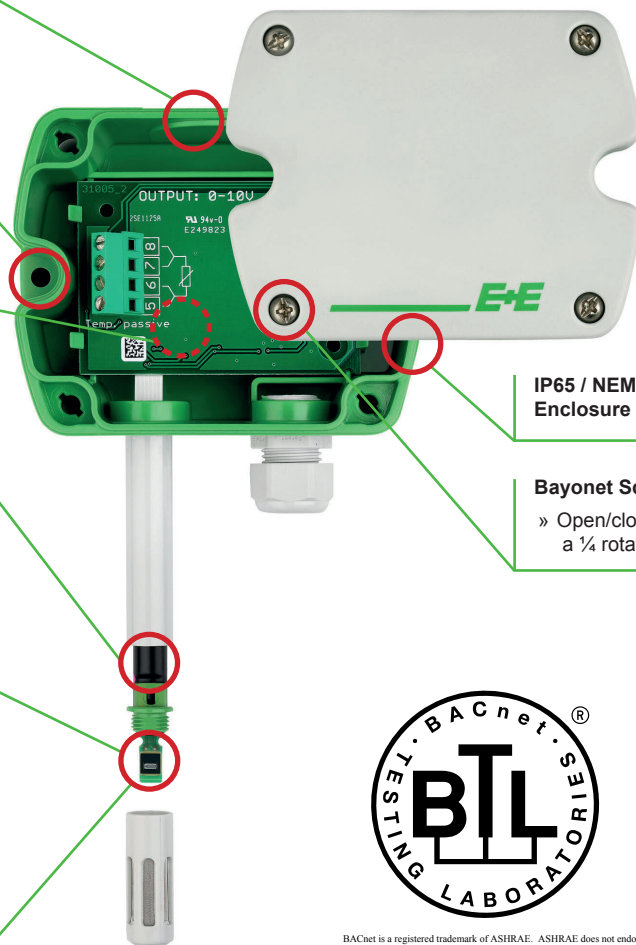
- » Mechanical protection
- » Condensation-resistant

E+E Humidity sensor HCT01

- » Long-term stability
- » Protected RH sensor surface
- » Protected solder pads
- » Tested according to automotive standard AEC-Q200

Protective sensor coating

The E+E proprietary sensor coating is a hygroscopic layer applied to the active surface of the HCT01 sensing element. The coating extends substantially the life-time and the measurement performance of the E+E sensor in corrosive environment (salts, off-shore applications). Additionally, it improves the sensor's long term stability in dusty, dirty or oily applications by preventing stray impedances caused by deposits on the active sensor surface.



IP65 / NEMA 4 Enclosure

Bayonet Screws
 » Open/closed with a 1/4 rotation



BACnet is a registered trademark of ASHRAE. ASHRAE does not endorse, approve or test products for compliance with ASHRAE standards. Compliance of listed products to the requirements of ASHRAE Standard 155 is the responsibility of BACnet International (BI). BTL is a registered trademark of BI.

Technical data

Measured values

Relative Humidity

Sensor E+E Sensor HCT01-00D

Working range 10...95 % RH

Accuracy at 20°C ±2.5 % RH

Temperature dependency typ. ±0.03 % RH/°C

Temperature

Sensor Pt1000 (tolerance class B, DIN EN 60751)

T-Accuracy at 20°C ±0.3 °C

Outputs

Analogue output 0-10 V -1 mA < I_L < 1 mA or

(RH: 0...100%; T: see ordering guide) 4-20 mA (two-wire) R_L < 500 Ohm

Digital output RS485 (BACnet MS/TP or Modbus RTU) max. 32 EE160 in one bus

Passive T-sensor

4-wire see ordering guide

General

Power supply

for 0 - 10 V / RS485 15 - 35V DC or 24V AC ±20 %

for 4 - 20 mA 10V + R_x 20 mA < U_v < 35V DC

Current consumption

Analogue with DC power supply typ. 5 mA

with AC power supply typ. 13 mA_{eff}

Digital with DC power supply typ. 15 mA

with AC power supply typ. 25 mA_{eff}

Connection

Screw terminals, max. 1.5 mm²

Housing material

Polycarbonate, UL94V-0 approved

Protection class

IP65 / NEMA 4

Cable gland

M16 x 1.5

Sensor protection

membrane filter

Electromagnetic compatibility

EN61326-1

EN61326-2-3

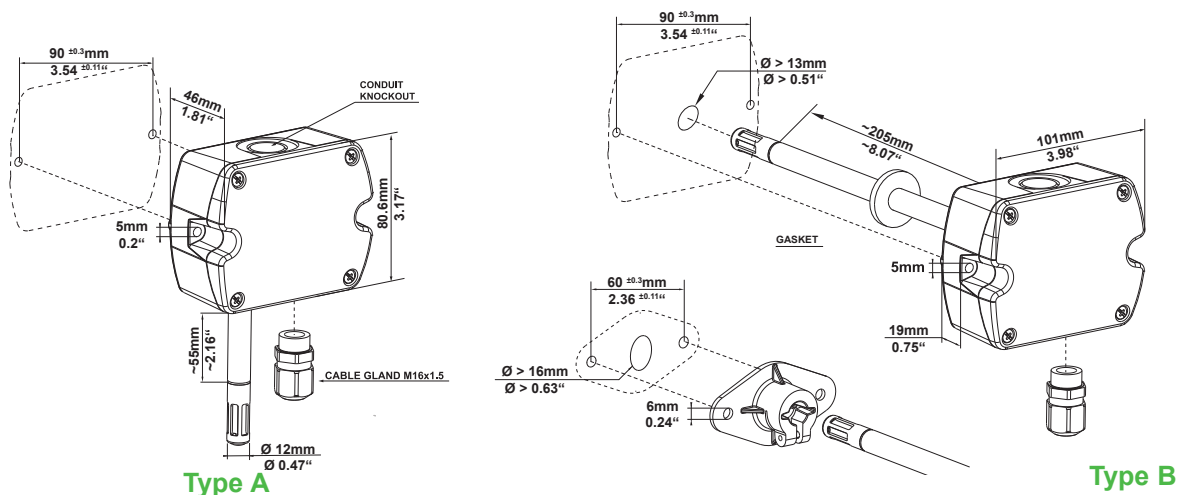


Temperature ranges

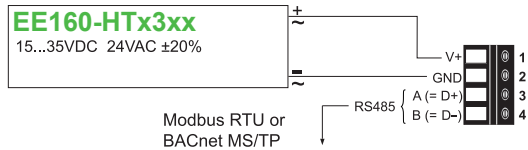
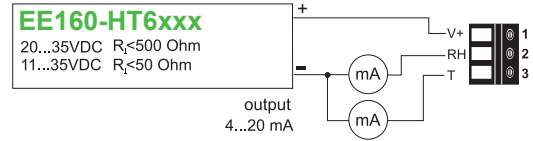
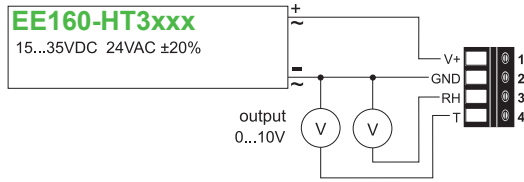
Operating temperature: -40...60 °C (-40...140 °F)

Storage temperature: -20...60 °C (-4...140 °F)

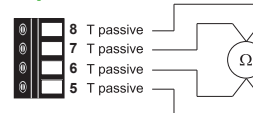
Dimensions (mm)



Connection diagram



T-passive connection for HT3xxx/HT6xxx



Ordering Guide

Hardware configuration

| MODEL | OUTPUT | PASSIVE T-SENSOR ¹⁾ | TYPE | FILTER |
|-----------------------------|---|--------------------------------|-----------------|---------------------|
| humidity + temperature (HT) | 0-10 V (3x) 4-20 mA (6x) RS485 (x3) | Pt 100 DIN A (A) | wall mount (PA) | membrane filter (B) |
| | | Pt 1000 DIN A (C) | duct mount (PB) | |
| | | NTC 10k (E) | | |
| | | Ni1000, TK6180 (J) | | |
| | | none (X) | | |
| EE160- | | | | |

Analogue outputs setup

| OUTPUT SCALING | SCALING ²⁾ | UNIT |
|------------------|-----------------------|------------------------------|
| temperature (Tx) | -20...80 °C (024) | metric (M) non-metric (N) |
| | -40...60 °C (002) | |
| | -10...50 °C (003) | |
| | 0...50 °C (004) | |
| | 32...122 °F (076) | |
| | -40...140 °F (083) | |
| | 0...140 °F (085) | |
| | 20...120 °F (015) | |

Digital output setup

| PROTOCOL | BAUDRATE | PARITY | STOPBITS | UNIT |
|--------------------------------|--------------------------|---------------|---------------|----------------|
| Modbus RTU ³⁾ (1) | 9600 (A) | odd (O) | 1 stopbit (1) | metric (M) |
| BACnet MS/TP ⁴⁾ (3) | 19200 (B) | even (E) | 2 stopbit (2) | non-metric (N) |
| | 38400 (C) | no parity (N) | | |
| | 57600 ⁵⁾ (D) | | | |
| | 76800 ⁵⁾ (E) | | | |
| | 115200 ⁵⁾ (F) | | | |

- 1) Only with output 3x, 6x / T-Sensor details see www.epluse.com/R-T_Characteristics
 2) Other scaling upon request
 3) Modbus Map and setup instructions: See User Guide and Modbus Application Note at www.epluse.com/EE160
 4) Product Implementation conformance Statement (PICS) available at www.epluse.com/EE160
 5) Only for BACnet

Order example

Analogue output

EE160-HT6xAPAB-Tx003M

Model: humidity + temperature transmitter
 Output: 4-20 mA
 Passive T-Sensor: Pt 100 DIN A
 Type: wall mount
 Filter: membrane filter

Output scaling: temperature
 Scaling: -10...50 °C
 Unit: metric

Digital output

EE160-HTx3xPBB-1AE1N

Model: humidity + temperature transmitter
 Output: RS485
 Type: duct mount
 Filter: membrane filter

Protocol: Modbus
 Baudrate: 9600
 Parity: even
 Stopbits: 1
 Unit: non-metric

Accessories

Product configuration adapter
 Product configuration software
 Power supply adapter
 Protection cap for 12 mm probe

see data sheet EE-PCA
 EE-PCS (free download: www.epluse.com/EE160)
 V03 (see data sheet Accessories)
 HA010783

Scope of supply

| Model | EE160 Wall mount (Type A) | EE160 Duct mount (Type B) | Additionally for all EE160 with RS485 interface |
|--|------------------------------|------------------------------|--|
| EE160 Transmitter according ordering guide | ✓ | ✓ | |
| Cable gland | ✓ | ✓ | ✓ |
| Mounting kit | ✓ | ✓ | |
| Mounting flange | | ✓ | |
| Inspection certificate according to DIN EN10204 - 3.1 | ✓ | ✓ | |
| Quick Guide - EE160 RS485 Setup | | | ✓ |