

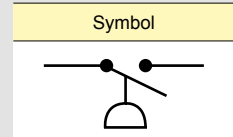
HS series



HS-210



HS-306



How to Order

HS - 210

①

②

① Series

HS	Pressure switch
----	-----------------

② Pressure range

203	-50cmHg~3kgf/cm ²
206	-50cmHg~6kgf/cm ²
210	1~10kgf/cm ²
220	5~20kgf/cm ²
230	5~30kgf/cm ²
306	Low:-50cmHg ~6kgf/cm ² High: 8 ~ 30kgf/cm ²
306M	
606	
606M	
	2contact point, Common connection M:Manual reset
	2contact point M:Manual reset

Specifications

Model	Pressure range (kgf/cm ²)		Differential pressure (kgf/cm ²)		Factory setting		Max. proof pressure (kgf/cm ²)	Fluid	Ambient & fluid temperature	Weight (kg)
	Min.	Max.	Min.	Max.	ON	OFF				
HS-203	-50cmHg	3	0.35	2	0.5	1.5	11	Non-corrosive fluid, Air, Fluid, Inert gas, Steam	-10℃~ 120℃	0.42
HS-206	-50cmHg	6	0.6	4	2	3	16.5			
HS-210	1	10	1	3	4	6	16.5			
HS-220	5	20	3	5	12	15	40			
HS-230	5	30	3	10	20	25	40			
HS-306	LOW SIDE	-50cmHg	6	0.6	4	3	2			16.5
	HIGH SIDE	8	30	Approx. 4 setting value		16	20			40
HS-306M	LOW SIDE	-50cmHg	6	0.6	4	2	2			16.5
	HIGH SIDE	8	30	Manual reset		Manual reset	20			40
HS-606	LOW SIDE	-50cmHg	6	0.6	4	3	2			16.5
	HIGH SIDE	8	30	Approx. 4 setting value		16	20	40		
HS-606M	LOW SIDE	-50cmHg	6	0.6	4	3	2	16.5		
	HIGH SIDE	8	30	Manual reset		Manual reset	20	40		

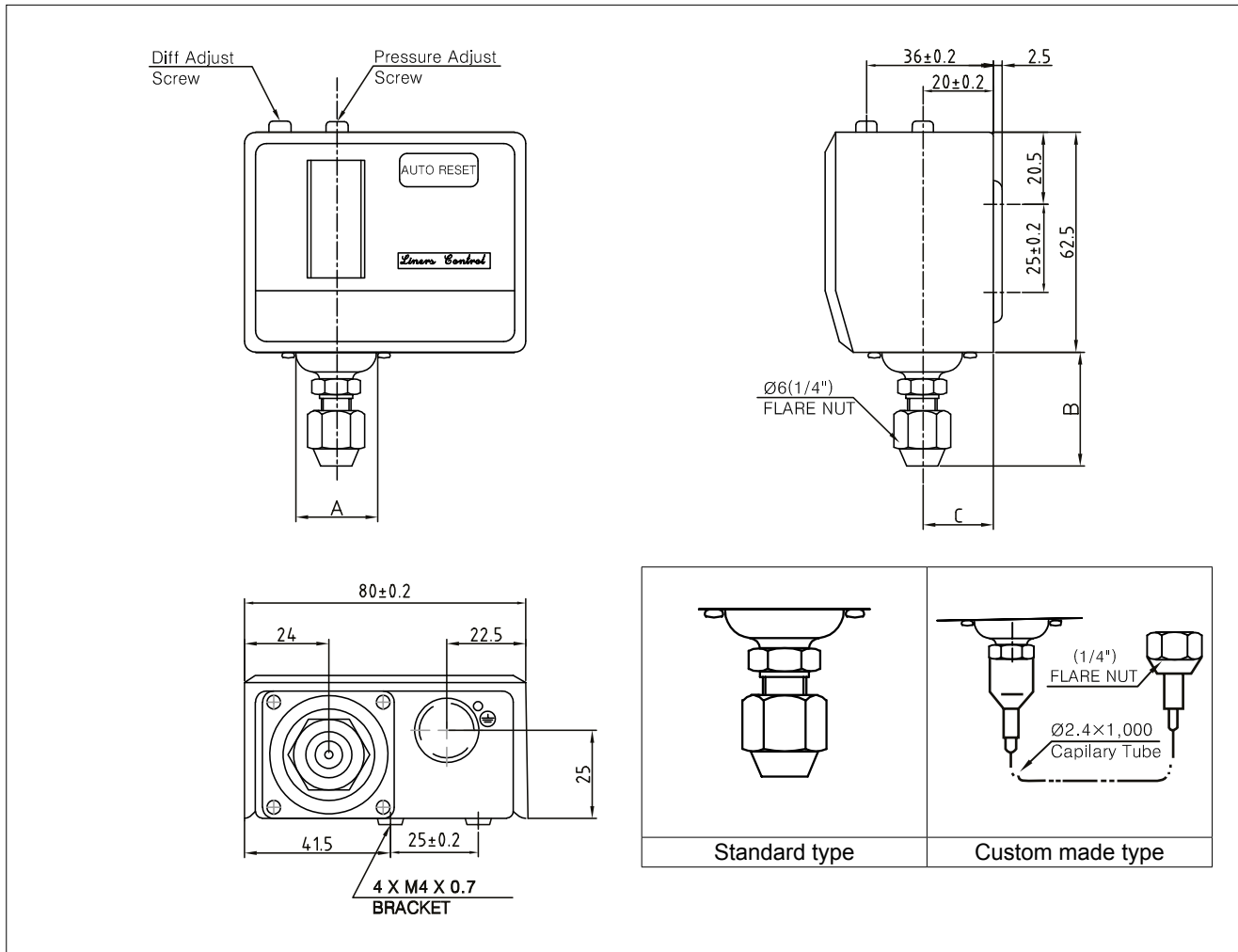
Rated Voltage

Rated voltage		Power factor (COS Ø)	125/250V AC
Rated current(A)			
Non-inductive current		1	12
Inductive current	Total load	0.75	12
	Locked Rotor	0.45	72

Features

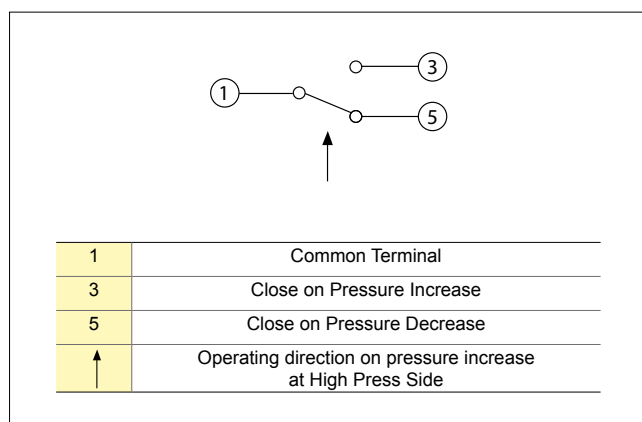
- Air, water, and inert medium
- Mounting bracket is included.
- Micro-switches ensures a reliable conversion.

Dimensions-Single



Model	A	B	C
HS-203	38.5	38.9	22.4
HS-206			
HS-210	34.4	36	22.4
HS-220			
HS-230	22	32.7	18.5

Wiring Method



Others

Auto Switch Reference data

Auto Switch

FS

HS

KTD-600

KTD-1000

KDPC

Rotary Joint Reference Data

DR1000

DR2000

DR3000

DR3700

DR5000

DR6000

SRJ

KPF

KSM

KABL

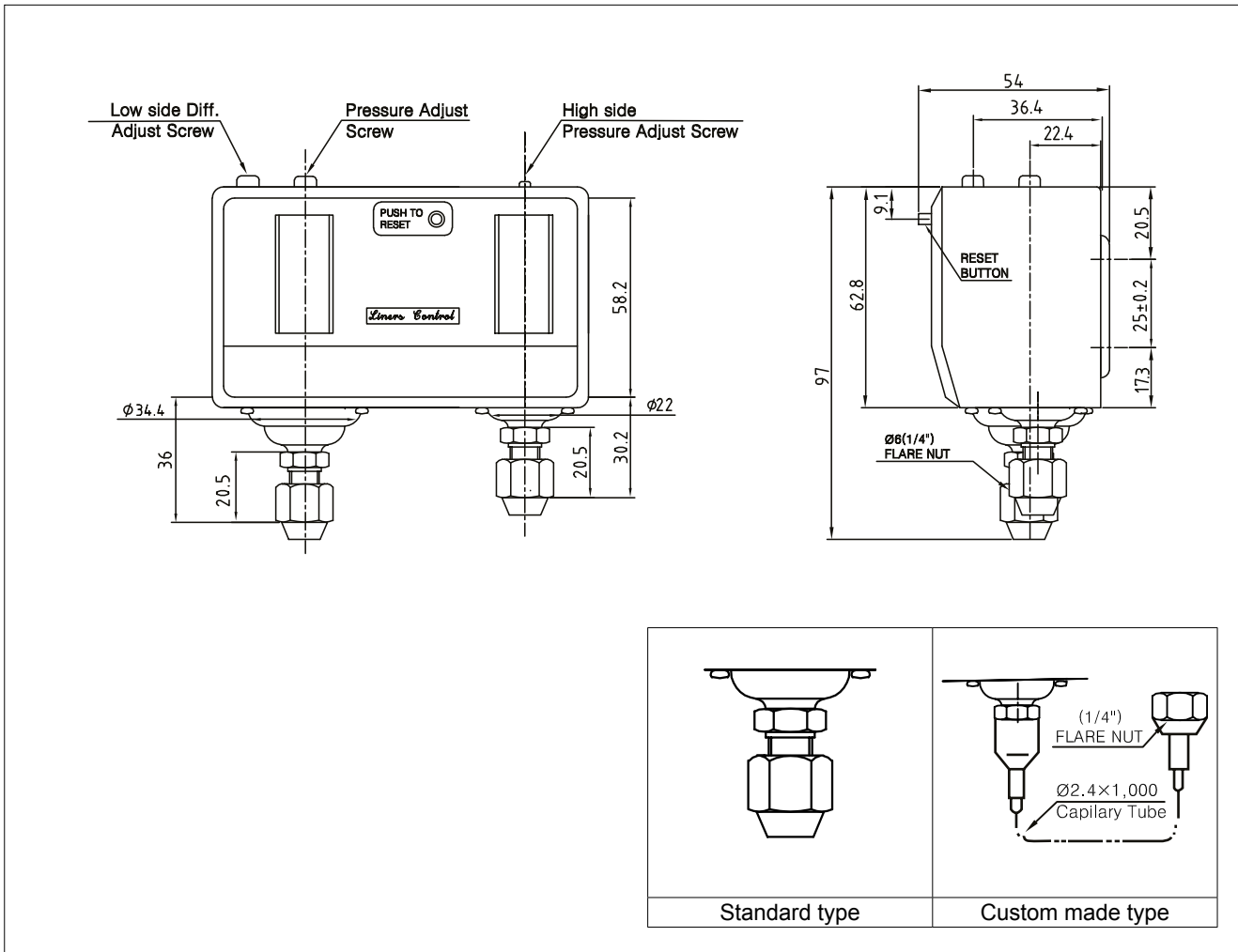
SB

KPV

KVT

KPP

Dimensions - Dual



Wiring Method

