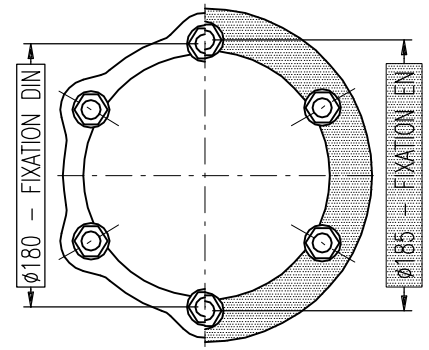
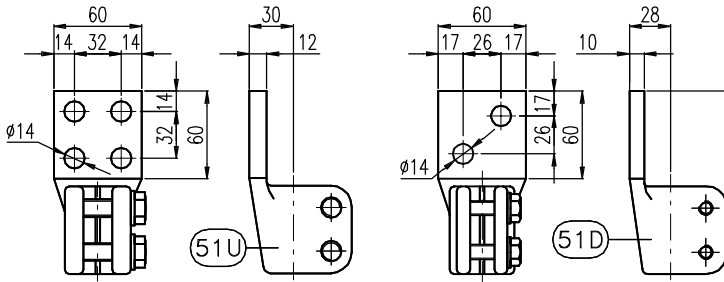


Style VU

Style VD

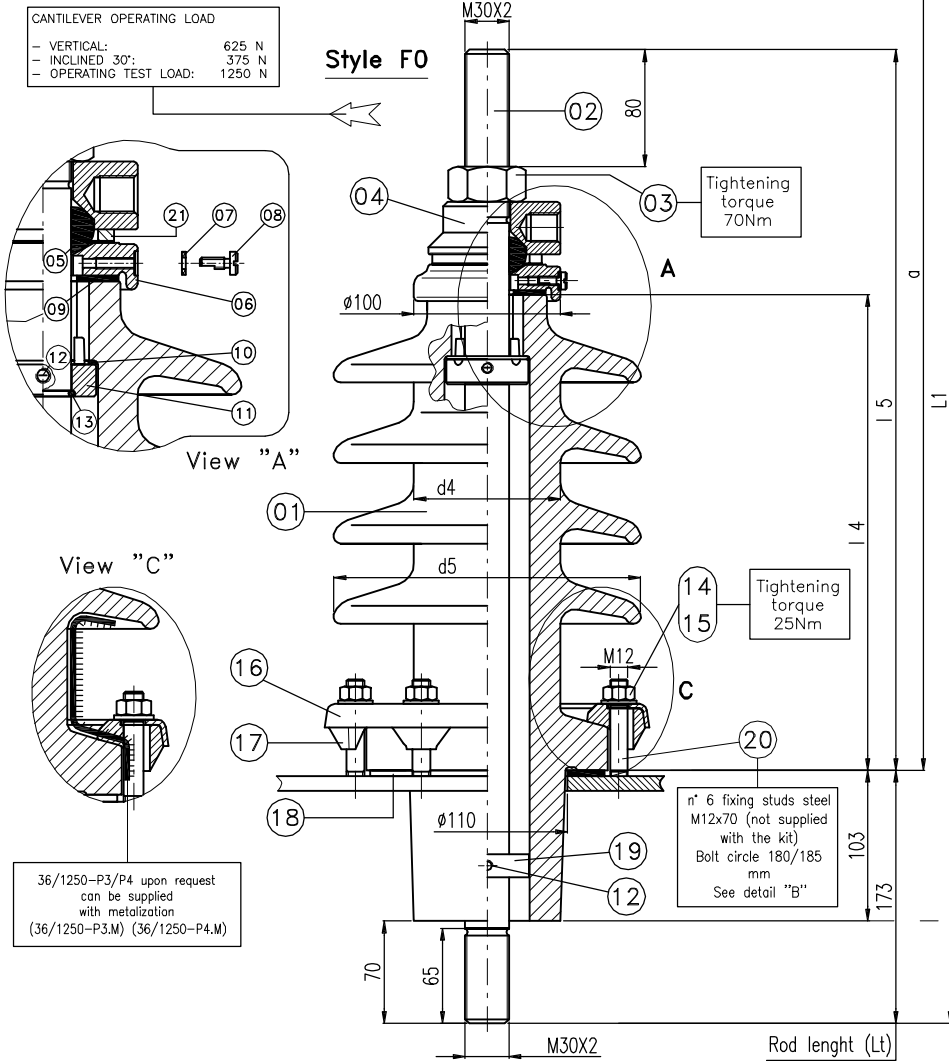


Fixing Detail "B"

CANTILEVER OPERATING LOAD

- VERTICAL:	625 N
- INCLINED 30°:	375 N
- OPERATING TEST LOAD:	1250 N

Style F0



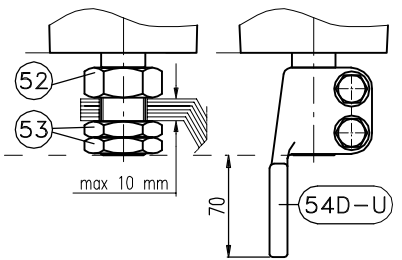
View "A"

View "C"

36/1250-P3/P4 upon request can be supplied with metalization (36/1250-P3.M) (36/1250-P4.M)

Bushing Acc. to IEC 60137 ed. 6.0

Pos.	Description
1	Porcelain
2	Copper rod
3	Brass nut M30 DIN 934
4	Brass top washer "F"
5	NBR ring gasket "J"
6	Brass cap "E"
7	Fiber gasket
8	Vent/screw "R"
9	NBR gasket "M"
10	Fiber spacer "O"
11	Brass ring "P"
12	Locking screw
13	Copper ring "S"
14	Nuts M12 DIN934 (AISI304)
15	Washer 13 (AISI304)
16	Fixing ring "C" DIN 42538 or EN1000 (AISI304)
17	Alluminium clamping piece "P" DIN 42538
18	NBR Flange gasket "N"
19	Center ring
20	Fixing stud M12x70 (not supplied)
21	Bronze contact ring "U"
51D	Flag EP DIN 43675
51U	Flag UNEL SIZE
52	Brass nut M30 DIN 934
53	Brass locknut M30 DIN 936
54D-U	Internal connecting flag



Style E1

Style A1

Style C0

Bushing Type	Voltage kV	Current A	PF I' kV	BIL kV	Creepage distance mm	Porcelain Arcing distance mm	Type	14	15	d4	d5	a	L1	Z	G.W. Kg	Rod (Lt) mm	Pollution level and min. creep. distance			
								mm	mm	mm	mm	mm	mm	n° of sheds			I (b)□	II (c)□	III (d)□	IV (e)□
12-1250/P4	12	1250	30	75	385	215	21	260	415	100	210	480	653	2	15	595	192	240	300	372
24-1250/P3	24		55	125	620	280	22	325	480	100	210	545	718	4	18	660	384	480	600	===
36-1250/P3 (24-1250/P4)	36		77	170**	930	385	23	420	575	100	240	640	813	5	22	755	576	720	900	===
36-1250/P4					1145	500	24	535	690	100	240	755	928	6	25	870	===	===	===	1116
36-1250/P3.M (*)					830 (*)	385	23.M	420	575	100	240	640	813	5	22	755	576	720	900	===
36-1250/P4.M (*)					1045 (*)	500	24.M	535	690	100	240	755	928	6	25	870	===	===	===	1116

NOTE:  
\* Porcelain with metalization with reduced CD  
\*\* Tested at 200 kV BIL

NOTE □ : Choice of the bushing as per site pollution severity IEC/TS60815-1/2008

THE FIGURE SHOWS THE BUSHING 24/1250 P3 (1:5 SCALE)



Titolo  
**OUTDOOR TRANSFORMER  
BUSHING EN 50180  
RATED CURRENT 1250A  
VOLTAGE 12 TO 36kV**

Data 11/03/13  
Scala 1:5  
Dis.  
Visto

Dis. Nr  
**3800**  
1 2