

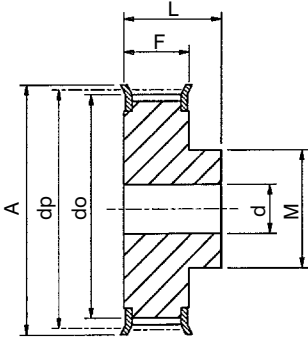
Plain Bore Pulleys for 'H' Series Timing Belts



Pulley Types

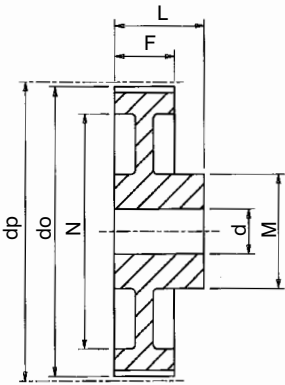
The pulley types referred to in tables are as drawings below. The suffix 'F' indicates pulley has flanges.

Pulleys below dividing line in tables are in Cast iron, and of spoked design. Std. Pulleys can be reworked to customers bore and keyway.



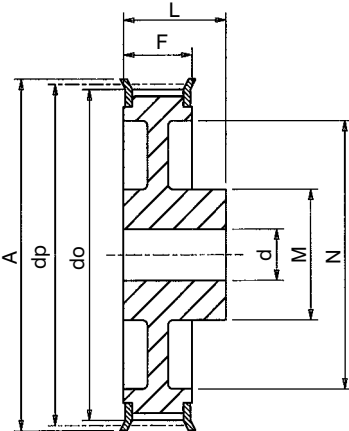
Type 1F

Material: Steel



Type 2

Material: Cast Iron



Type 2F

Material: Cast Iron

Catalogue No.	No. Teeth Z	Pulley Type	Pitch Circle Dia. dp	Min. Bore d	Max. Bore d	Outside Diameter do	Flange Diameter A	Pulley Width F	Bore Length L	Hub Diameter M	Rim Diameter N	Approx Weight kg
1/2" Pitch Pulleys for 1" Wide Belts. Ref. H100												
P14H100	14	1F	56.60	11	30	55.2	64	32	45	45	-	0.67
P16H100	16	1F	64.68	11	30	63.3	70	32	45	45	-	0.88
P18H100	18	1F	72.77	12	36	71.4	79	32	45	55	-	1.06
P19H100	19	1F	76.81	14	40	75.4	83	32	45	60	-	1.23
P20H100	20	1F	80.85	14	41	79.5	87	32	45	62	-	1.33
P21H100	21	1F	84.89	14	43	83.5	91	32	45	65	-	1.43
P22H100	22	1F	88.94	14	45	87.6	93	32	45	68	-	1.63
P24H100	24	1F	97.02	14	47	95.7	102	32	45	72	-	1.95
P26H100	26	1F	105.11	14	54	103.7	112	32	45	80	-	2.30
P28H100	28	1F	113.19	14	54	111.8	120	32	45	80	-	2.53
P30H100	30	1F	121.28	14	54	119.9	128	32	45	80	-	2.93
P32H100	32	1F	129.36	14	54	128.0	135	32	45	80	-	3.06
P36H100	36	2F	145.53	14	48	144.2	150	32	45	80	118	3.92
P40H100	40	2F	161.70	14	48	160.3	168	32	45	80	134	4.95
P44H100	44	2F	177.87	14	48	176.5	184	32	50	80	150	6.20
P48H100	48	2F	194.04	14	54	192.7	200	32	50	90	166	5.30
P60H100	60	2	242.55	19	54	241.2	-	32	50	90	215	7.50
P72H100	72	2	291.06	19	62	289.7	-	32	55	100	263	9.00
P84H100	84	2	339.57	19	62	338.2	-	32	55	100	312	10.00
P96H100	96	2	388.08	19	70	386.7	-	32	60	120	360	13.80
P120H100	120	2	485.10	19	70	483.7	-	32	60	120	458	22.00
1/2" Pitch Pulleys for 1 1/2" Wide Belts. Ref. H150												
P14H150	14	1F	56.60	11	28	55.2	64	46	58	42	-	0.95
P16H150	16	1F	64.68	11	30	63.3	70	46	58	45	-	1.08
P18H150	18	1F	72.77	14	36	71.4	79	46	58	55	-	1.45
P19H150	19	1F	76.81	14	40	75.4	83	46	58	60	-	1.55
P20H150	20	1F	80.85	14	41	79.5	87	46	58	62	-	1.70
P21H150	21	1F	84.89	14	43	83.5	91	46	58	65	-	1.87
P22H150	22	1F	88.94	14	45	87.6	93	46	58	68	-	2.07
P24H150	24	1F	97.02	14	47	95.7	102	46	58	72	-	2.50
P26H150	26	1F	105.11	14	54	103.7	112	46	58	80	-	2.99
P28H150	28	1F	113.19	14	54	111.8	120	46	58	80	-	3.39
P30H150	30	1F	121.28	14	54	119.9	128	46	58	80	-	3.86
P32H150	32	1F	129.36	14	54	128.0	135	46	58	80	-	4.37
P36H150	36	2F	145.53	14	48	144.2	150	46	58	80	118	5.50
P40H150	40	2F	161.70	14	48	160.3	168	46	58	80	134	6.80
P44H150	44	2F	177.87	19	48	176.5	184	46	58	80	150	8.50
P48H150	48	2F	194.04	19	54	192.7	200	46	65	90	166	8.80
P60H150	60	2	242.55	19	54	241.2	-	46	65	90	215	9.00
P72H150	72	2	291.06	24	62	289.7	-	46	65	100	263	11.00
P84H150	84	2	339.57	24	62	338.2	-	46	65	100	312	13.00
P96H150	96	2	388.08	24	70	386.7	-	46	65	120	360	17.00
P120H150	120	2	485.10	24	70	483.7	-	46	65	120	458	25.00
1/2" Pitch Pulleys for 2" Wide Belts. Ref. H200												
P14H200	14	1F	56.60	11	28	55.2	64	59	70	42	-	1.10
P16H200	16	1F	64.68	11	30	63.3	70	59	70	45	-	1.34
P18H200	18	1F	72.77	14	36	71.4	79	59	70	55	-	1.65
P19H200	19	1F	76.81	14	40	75.4	83	59	70	60	-	1.90
P20H200	20	1F	80.85	14	41	79.5	87	59	70	62	-	2.11
P21H200	21	1F	84.89	14	43	83.5	91	59	70	65	-	2.23
P22H200	22	1F	88.94	14	45	87.6	93	59	70	68	-	2.45
P24H200	24	1F	97.02	14	47	95.7	102	59	70	72	-	2.97
P26H200	26	1F	105.11	14	54	103.7	112	59	70	80	-	3.61
P28H200	28	1F	113.19	14	54	111.8	120	59	70	80	-	4.10
P30H200	30	1F	121.28	14	54	119.9	128	59	70	80	-	4.74
P32H200	32	1F	129.36	14	54	128.0	135	59	70	80	-	5.60
P36H200	36	2F	145.53	14	48	144.2	150	59	70	80	118	7.10
P40H200	40	2F	161.70	14	48	160.3	168	59	70	80	134	8.40
P44H200	44	2F	177.87	19	48	176.5	184	59	70	80	150	10.50
P48H200	48	2F	194.04	24	54	192.7	200	59	75	90	166	8.60
P60H200	60	2	242.55	24	54	241.2	-	59	75	90	215	11.00
P72H200	72	2	291.06	28	62	289.7	-	59	75	100	263	14.00
P84H200	84	2	339.57	28	62	338.2	-	59	75	100	312	15.00
P96H200	96	2	388.08	28	70	386.7	-	59	75	120	360	20.30
P120H200	120	2	485.10	28	70	483.7	-	59	75	120	458	28.00
1/2" Pitch Pulleys for 3" Wide Belts. Ref. H300												
P14H300	14	1F	56.60	11	28	55.2	64	86	100	42	-	1.40
P16H300	16	1F	64.68	11	30	63.3	70	86	100	45	-	1.89
P18H300	18	1F	72.77	19	36	71.4	79	86	100	55	-	2.38
P19H300	19	1F	76.81	19	40	75.4	83	86	100	60	-	2.60
P20H300	20	1F	80.85	19	41	79.5	87	86	100	62	-	3.10
P21H300	21	1F	84.89	19	43	83.5	91	86	100	65	-	3.32
P22H300	22	1F	88.94	19	45	87.6	93	86	100	68	-	3.67
P24H300	24	1F	97.02	19	47	95.7	102	86	100	72	-	4.40
P26H300	26	1F	105.11	19	54	103.7	112	86	100	80	-	5.20
P28H300	28	1F	113.19	19	54	111.8	120	86	100	80	-	5.60
P30H300	30	1F	121.28	19	54	119.9	128	86	100	80	-	7.00
P32H300	32	1F	129.36	19	54	128.0	135	86	100	80	-	7.80
P36H300	36	2F	145.53	19	48	144.2	150	86	100	80	118	9.90
P40H300	40	2F	161.70	19	48	160.3	168	86	100	80	134	12.20
P44H300	44	2	177.87	24	48	176.5	-	86	100	80	150	15.00
P48H300	48	2	194.04	24	54	192.7	-	86	100	90	166	11.40
P60H300	60	2	242.55	24	54	241.2	-	86	100	90	215	13.30
P72H300	72	2	291.06	28	62	289.7	-	86	100	100	263	19.00
P84H300	84	2	339.57	28	62	338.2	-	86	100	100	312	20.00
P96H300	96	2	388.08	28	70	386.7	-	86	100	120	360	27.00
P120H300	120	2	485.10	28	70	483.7	-	86	100	120	458	33.00

Other sizes of Pulleys can be supplied on short delivery. All Pulleys can be supplied finish bored and keywayed.

All dimensions in mm.