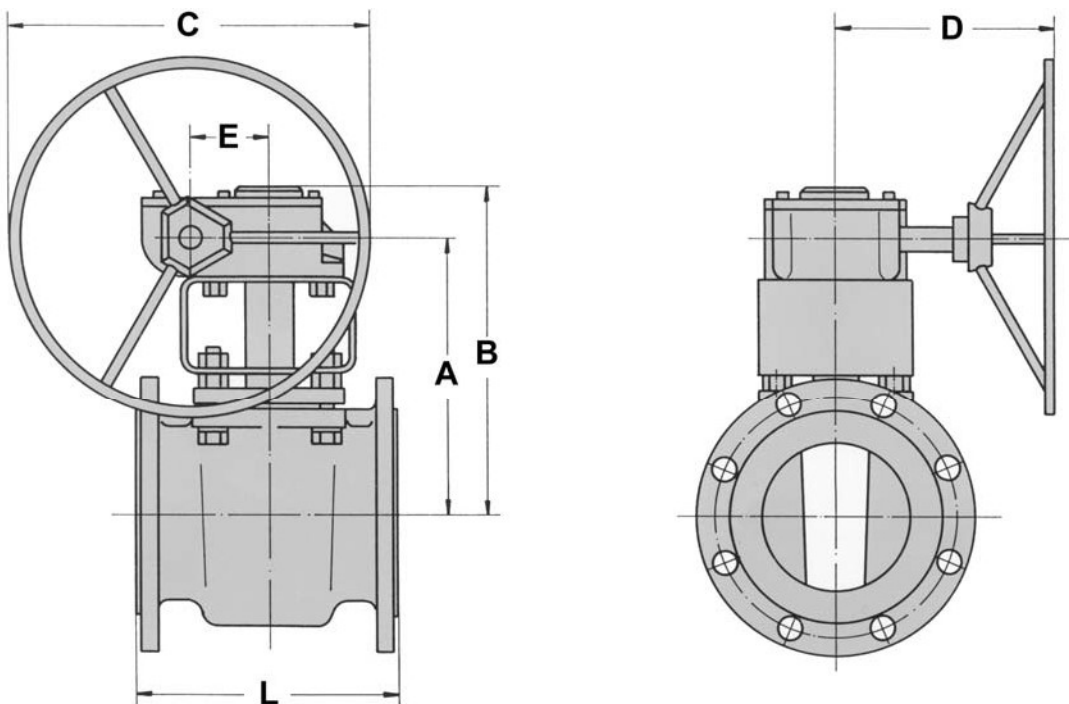


## TUFLIN® Two Way Plug Valves

### TUFLIN® Two Way Valves with Flanged Ends

Type 127 G	DIN PN 10 - 40	DN 80 - 400
Type 067 G	ANSI Class 150	NPS 3 - 16
Type 0367 G	ANSI Class 300	NPS 3 - 14
Type 0667 G	ANSI Class 600	NPS 3 - 14

"G" indicates gear operated.



**DIMENSIONS IN mm**

DN	NPS	L				A	B	C	D	E	Approx. Weight in kg			
		127	067	0367	0667						127	067	0367	0667
80	3	310	203	283	356	204	236	200	169	52	34.6	30.8	38.2	43.1
100	4	350	229	305	432	235	267	200	169	52	45.5	42.0	53.2	65.6
125	5	267	267			308	347	300	223	67	55.0	55.0	84.0	
150	6	**267	267	403	559	308	347	300	223	67	55.2	55.2	104.0	
200	8	292	292	419	660	345	384	300	223	67	89.0	89.0	175.0	191.0
250	10	*330	330	457	787	360	404	457	279	90	146.0	146.0		330.0
300	12	*356	356	502	838	478	522	457	279	90	186.0	186.0		415.0
350	14	*550	550	762	889	517	594	762	427	154	380.0	380.0		625.0
400	16	***600	600			517	594	762	427	154	400.0	400.0		

\* PN 10 – 25 only

\*\* Also available with face to face according to DIN EN 558-1 –DN 350 = PN 10-16

\*\*\* PN 10 - 16 only

Dimensions of flanges in accordance with standards.  
Subject to technical modifications.