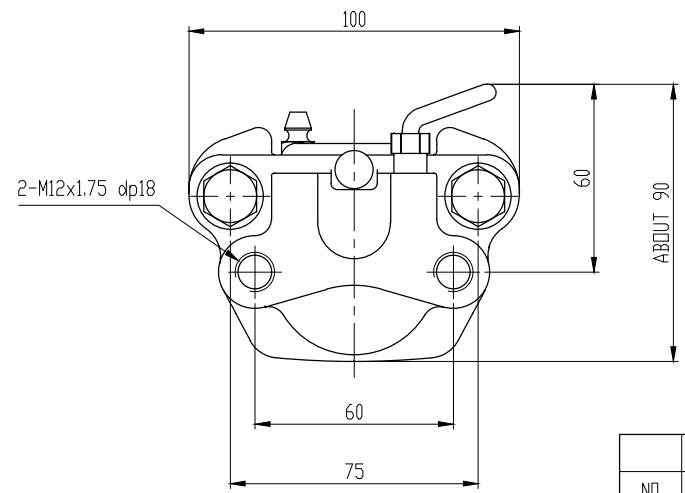
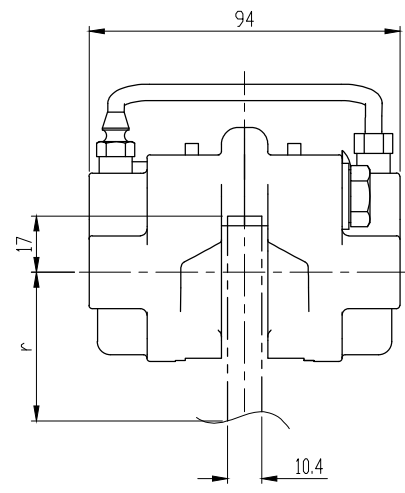
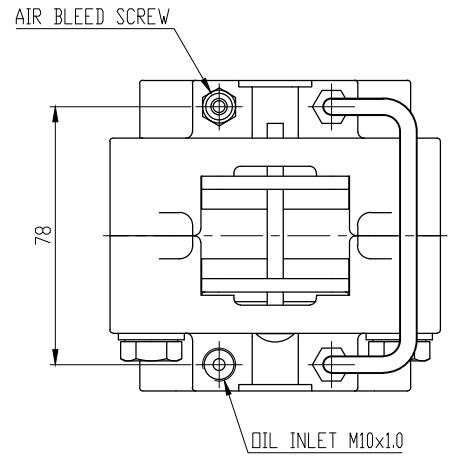


1	2	3	4	5	6	7	8
Reversion	Description	Date	Approve				



NOTE.

- Effective disc radius(m) : actual radius (m) - 0.017m
- Oil to be Used : Brake Oil

		CALIPER(DB-2008)					
NO.	DESCRIPTIONS	MATERIAL	Q'TY	REMARKS			
CUSTOMER			3rd ANGLE	UNIT	mm	SCALE	1:1
PROJECT			DES. BY	CHK. BY	APP. BY		
TITLE	CALIPER(DB-2008)						
DWG No.							



A

B

C

D

E

F

A

B

C

D

E

F