

**FEATURES****2-way design regulator valve**

- Regulates the operating pressure of the system by releasing excess volume through the by-pass
- Protects the system from over pressurization
- Suitable for controlling several units at the same time

**SPECIFICATIONS**

MODEL	MAXIMUM PSI	MAXIMUM GPM
RV1/100	1450	32
RV1/200	2900	32
RV1/300	4350	21
RV1/400	5800	21
RV1/500	7250	21
RV1/600	8700	21

Port Sizes:	Inlet	3/4 - 14 BSPP
	By-pass	3/4 - 14 BSPP

Weight		9.3 lbs.
--------	--	----------

Materials:	Upper Valve Body	OT58 Brass
	Lower Valve Body	OT58 Brass
	Valve and Valve Seat	AISI 420 SS with Stellite

**WARRANTY**

General Pump accessories are warranted by the manufacturer to be free from defects in material and workmanship. Period of warranty shall be 90 days from the date product is received by the original buyer. Liability of manufacturer under the foregoing warranty is limited to **repair** or **replacement** at the option of manufacturer of that product which according to the manufacturer's investigation was deemed defective at time of shipment. Damage resulting from neglect, abuse, tampering or misapplication voids this warranty. This warranty is in lieu of all other warranties, expressed or implied, including any warranty of merchantability and/or any and all other obligations or liabilities on the part of the manufacturer.

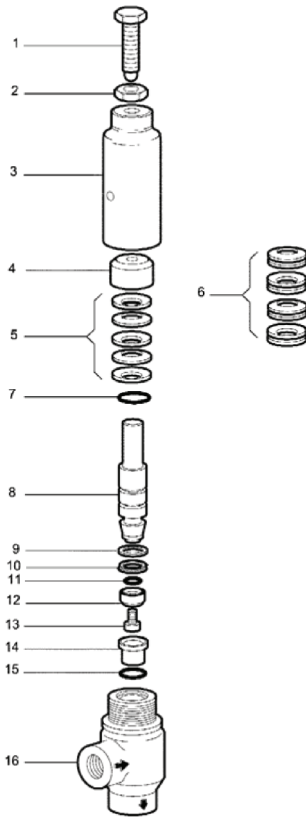
# RV1

## Regulating Valve

**GENERAL PUMP**

*A member of the Interpump Group*

### PARTS LIST

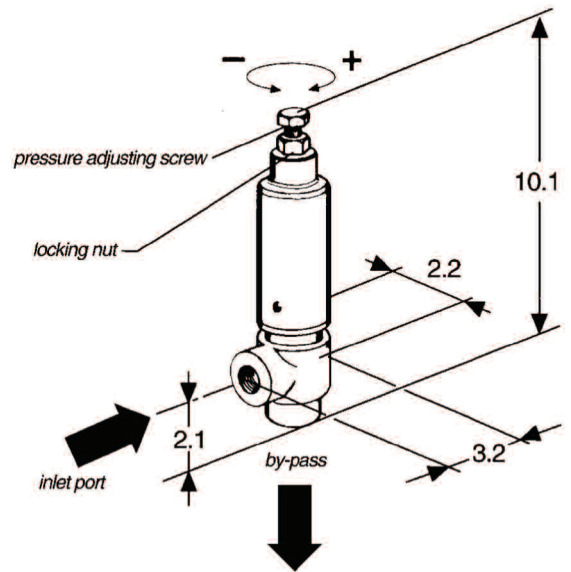
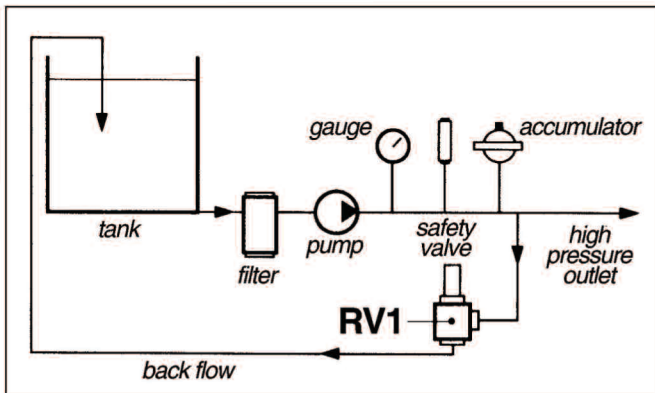


Item	Part Number	Description	Qty
1	F003000000	Screw, Pressure Adjusting	1
2	F872002108	Nut, Lock (RV1/100)	1
	F872001108	Nut, Lock (RV1/200, 300)	1
	F872000108	Nut, Lock (RV1/400, 500, 600)	1
3	F062300060	Cover, Spring	1
4	F030200000	Pad, Adjusting Screw	1
5	F872110426	Spring, Disc, Ø20.4x40x1.5 (RV1/100)	15
	F872110427	Spring, Disc, Ø20.4x40x2 (RV1/200)	13
	F872110428	Spring, Disc, Ø20.4x40x2.5 (RV1/300)	11
6	F872110427	Spring, Disc, Ø20.4x40x2 (RV1/400,500)	16
	F872110428	Spring, Disc, Ø20.4x40,2.5 (RV1/600)	14
7	F881010111	O-ring, Ø 20.63 x 2.62	1
8	F074200120	Piston	1
9	F010500000	Ring, Back-up	1
10	F881030008	Packing, Ø 18	1
11	F881010006	O-ring, Ø 14 x 1.78	1
12	F083200000	Piston, Ball, (RV1/100, 200, 300, 400)	1
	F083200280	Piston, Ball, RV1/500, 600)	1
13	F035200160	Screw, Cap, Socket Head, M6 x 16	1
14	F081200140	Seat, Valve	1
15	F881010112	O-ring, Ø 21.89 x 2.62	1
16	F060300010	Body, Valve	1

Item #s Included	# of Pieces	RV1/100 200, 300, 400	RV1/500,600
7, 9, 10, 11, 12 13, 14, 15	1	F1233	F1234

### INSTALLATION

The RV1 valve can be mounted on the pressure line in any position (horizontal or vertical) which will allow easy access to the pressure adjusting screw. For proper operation, the by-pass line internal diameter should be at least 0.75 inch at the narrowest point, and should not be connected directly to the pump inlet line (see below for correct installation).



Ref 300803 Rev. D  
09-08

