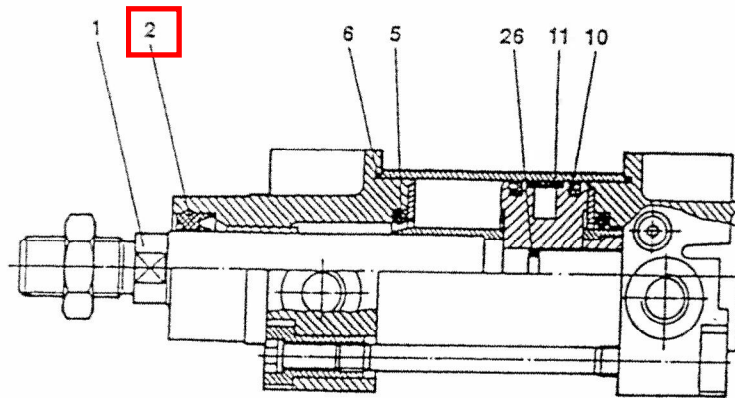




Spares



Model	Spares kit	Comprising	Piston rod	Item 1	
		Item	Description	Quantity	
RA/8032, RA/8032/M	QA/8032/00	2	Piston rod seal	1	RM/P19966*
RA/8040, RA/8040/M	QA/8040/00	5	Cushion seal	2	RM/P19967*
RA/8050, RA/8050/M	QA/8050/00	6	Sealing ring	2	RM/P19968*
RA/8063, RA/8063/M	QA/8063/00	10	Piston seal	2	RM/P19969*
RA/8080, RA/8080/M	QA/8080/00	11	Wear ring	1	RM/P19970*
RA/8100, RA/8100/M	QA/8100/00	26	O'-ring (Ø 32 to 100 mm)	1	RM/P19971*
RA/8125, RA/8125/M	QA/8125/00				RM/P30988*
RA/8160, RA/8160/M	QA/8160/00				RM/P30989*
RA/8200, RA/8200/M	QA/8200/00				RM/P30990*
RA/8250, RA/8250/M	QA/8250/00				RM/P19374*
RA/8320, RA/8320/M	QA/8320/00				RM/P19392*
RA/8032/N1, RA/8032/N2	QA/8032/N1/00				RM/P71084*
RA/8040/N1, RA/8040/N2	QA/8040/N1/00				RM/P71085*
RA/8050/N1, RA/8050/N2	QA/8050/N1/00				RM/P71086*
RA/8063/N1, RA/8063/N2	QA/8063/N1/00				RM/P71087*
RA/8080/N1, RA/8080/N2	QA/8080/N1/00				RM/P71088*
RA/8100/N1, RA/8100/N2	QA/8100/N1/00				RM/P71089*

* Insert stroke length
 Note: Please quote the cylinder type number when ordering spare parts

Warning

These products are intended for use in industrial compressed air systems only. Do not use these products where pressures and temperatures can exceed those listed under 'Technical Data'.

Before using these products with fluids other than those specified, for non-industrial applications, life-support systems, or other applications not within published specifications, consult NORGREN.

Through misuse, age, or malfunction, components used in fluid power systems can fail in various modes.

The system designer is warned to consider the failure modes of all component parts used in fluid power systems and to provide adequate safeguards to prevent personal injury or damage to equipment in the event of such failure.

System designers must provide a warning to end users in the system instructional manual if protection against a failure mode cannot be adequately provided.

System designers and end users are cautioned to review specific warnings found in instruction sheets packed and shipped with these products.

MANNESMANN SEIFFERT GMBH
 Zweigniederlassung Beckum
 Kirchstraße 9
 59259 Beckum