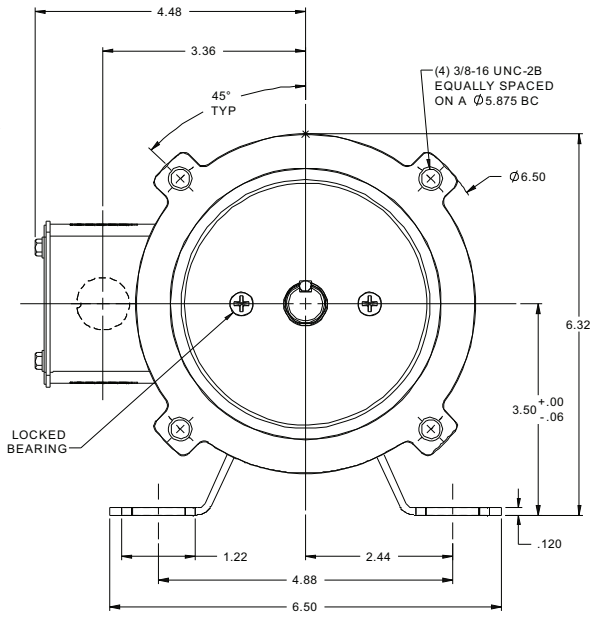
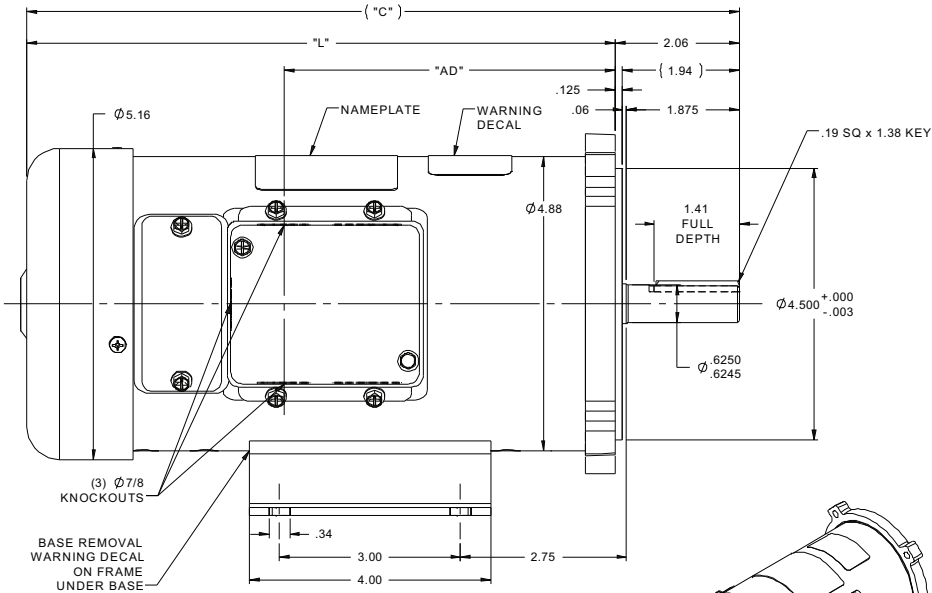
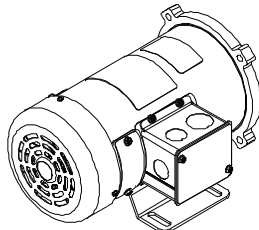


RBC PROPRIETARY AND CONFIDENTIAL INFORMATION
 This document is the property of REGAL BELOIT CORPORATION (RBC) and is loaned to you for your use only. It is not to be reproduced, copied, or disseminated in any form without the prior written consent of RBC. This document is based on the express condition that neither RBC nor the information contained therein shall be liable in any way for any damages, including consequential damages, arising out of the use of this document. The information contained herein is for informational purposes only and does not constitute an offer or any other financial product or service. The information is subject to change without notice. This document may be subject to certain restrictions under U.S. export control laws and regulations.



- NOTES:**
 1) MAXIMUM FACE RUNOUT .004 T.I.R.
 2) MAXIMUM PILOT ECCENTRICITY .004 T.I.R.
 3) PERMISSIBLE SHAFT RUNOUT .002 T.I.R.
 4) GASKETS THROUGHOUT.



098382.00	10.81	8.75	4.49	48	1/2	1800
098381.00	10.81	8.75	4.49	36	1/2	1800
098069.00	13.81	11.75	7.49	180	3/4	1750
098032.00	13.81	11.75	7.49	90	3/4	1750
098010.00	11.81	9.75	5.49	180	3/4	2500
098009.00	11.81	9.75	5.49	90	3/4	2500
098008.00	11.81	9.75	5.49	180	1/2	1750
098007.00	10.81	8.75	4.49	180	1/2	2500
098006.00	10.81	8.75	4.49	90	1/2	2500
098005.00	11.31	9.25	4.99	180	1/3	1750
098004.00	11.31	9.25	4.99	90	1/3	1750
098003.00	11.31	9.25	4.99	180	1/4	1750
098002.00	10.81	8.75	4.49	90	1/4	1750
098000.00	11.81	9.75	5.49	90	1/2	1750
CATALOG No.	"C"	"L"	"AD"	VOLTS	H.P.	RPM

		TOLERANCES UNLESS SPECIFIED.		LEESON ELECTRIC MOTORS GEARMOTORS AND DRIVES		DRAWN JRA 5/11/95
		DEC INCHES				CHK
		X ±.1				APPR
08	REDRAWN IN SOLIDWORKS, MODIFIED TABLE PER NEW STANDARD	IPG 9/8/2011	XX ±.03	TITLE OUTLINE	42 FRAME DC - SS56C MOUNT	SCALE 5:8
07	ADDED FAN GUARD HOLE PLUG, ISAAC 10-4174	IPG 10/11/10	XXX ±.005	MAT'L		REF RDOU142DC8
NO	REVISION	BY & DATE	CHK ANG ±1/2°	FINISH		FMF C42D17EK1
THIRD ANGLE PROJECTION				REF	PREV	PAGE OF
				SIZE	DRAWING NO	REV
				B	027620	08
				NETWORK FILE NAME	027620	