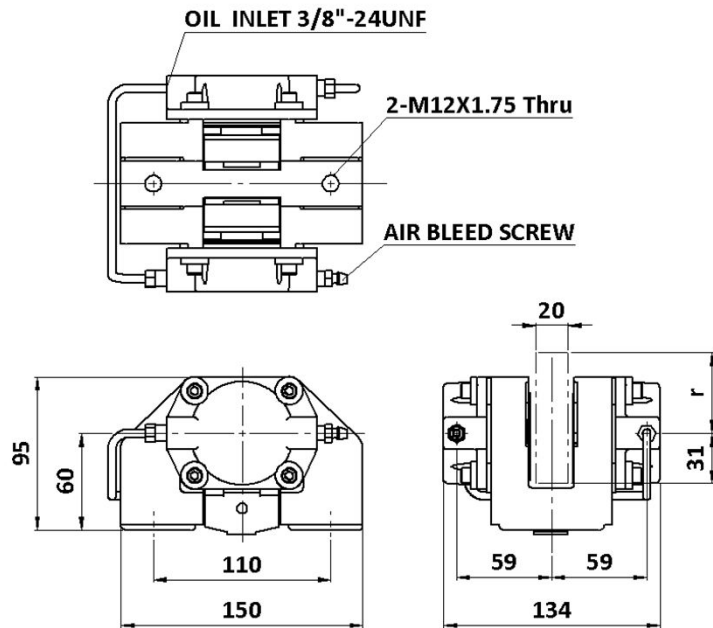
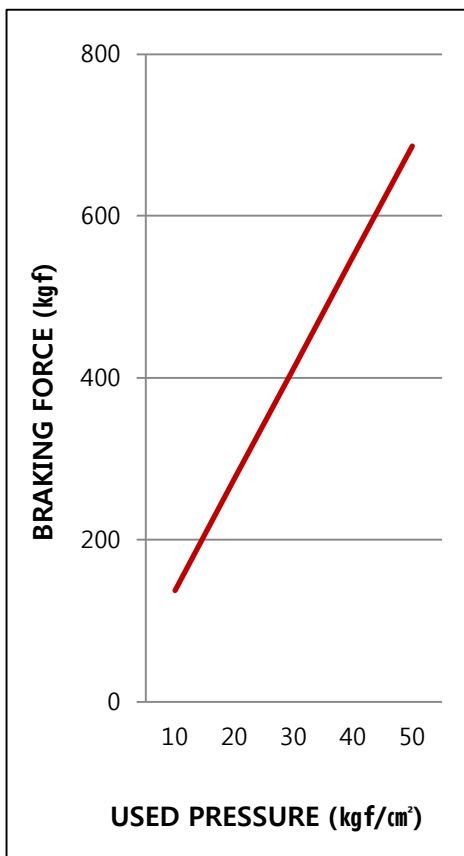


DB-2021S (HYDRAULIC APPLIED SPRING RELEASED)



- Oil to be used
: Use brake oil(Vegetable oil)
: Brake for mineral oil available but please ask us before use.
- COEFFICIENT OF DYNAMIC FRICTION : 0.3



Specification		DB-2021S
Size of Cylinder	mm	55(2-1/8")
Area of Cylinder	cm ²	22.88
Usable Disc Dia.	mm	Ø222 ~ ∞
Disc Thickness	mm	20
Effective Radius of Braking	m	r=1/1000(Disc Dia/2-31)
Size of Pad Lining (Length X Width X Thickness)	mm	47.5 X 53.97 X 16.7
Wear Allowance of Pad Lining	mm	10
Max. Working Oil Pressure	MPa	5(50kgf/cm ²)
Required Oil Volume	cc	2.5
Weight	kg	5.3
Torque Calculation (Braking Force=BF, kgf)	kgf-m	T=BF X r