

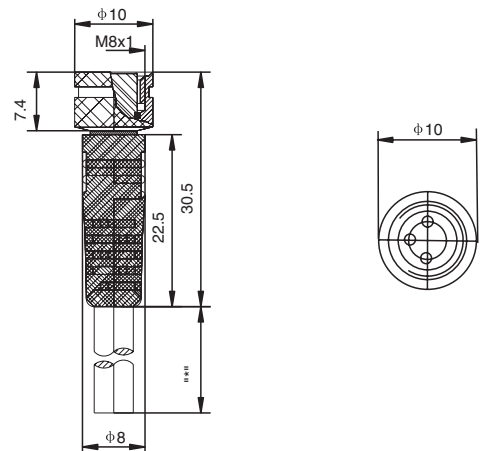
PICO-STYLE QUICK DISCONNECT CABLES

View



- Female pico-style
- Screw locking with (auto) securing safety nut
- With molded cable

Dimensional data



Technical Data

Application Class: HNE acc. to DIN40040
 (-25 C/+90 C/ ≤ 75% rF)

Molded Body: TPU, Self-extinguishing

Nominal Power: 4A

Nominal Voltage: 60 VAC / 75 VDC

Contact: CuZn, pre-nickeled and
 0.8 microns gold-plated

O-Ring: Viton

Body: TPU, self-extinguishing

Securing Safety nut: Nickel plated brass

Protection: IP67

Contact Resistance: ≤ 5m Ω

Insulation Group: C acc. to VDE0110

Test Voltage: 1.5 KV eff./ 60 s.

Insulation Resistance: >10⁹ Ω

Catalog Number

Part-No	Poles	Face View female	ColorCode	Conductors		Outer Jacket	
				Gage	Stranding	φ mm	Material
M8-FS3-PVC-2M	3		1=brown 3=blue 4=black	0.34mm ²	42xφ0.10	5.0	PVC
M8-FS3-PUR-2M				0.34mm ²	42xφ0.10		PUR/PVC
M8-FS4-PVC-2M	4		1=brown 2=white 3=blue 4=black	0.25mm ²	32xφ0.10	5.0	PVC
M8-FS4-PUR-2M				0.25mm ²	32xφ0.10		PUR/PVC

Standard Length: 2.0 m, 3.0 m, 7.5 m, 10.0 m. Other cable lengths or cable specifications upon request

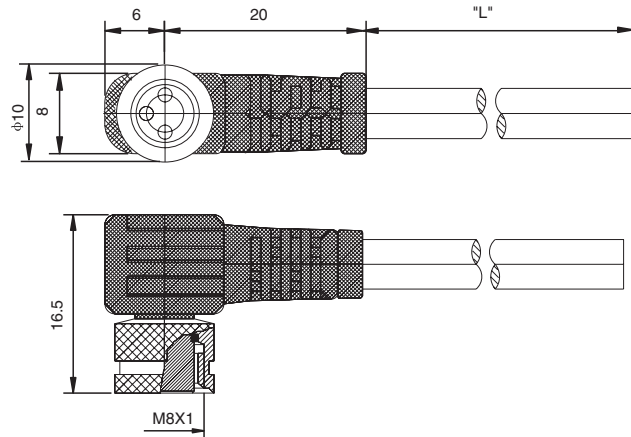
PICO-STYLE QUICK DISCONNECT CABLES

View



- Female pico-style
- Right-angle
- Screw locking with (auto) securing safety nut
- With molded cable

Dimensional data



Technical Data

Application Class: HNE acc. to DIN40040
(-25 C/+90 C/ ≤ 75% rF)

Molded Body: TPU, Self-extinguishing

Nominal Power: 4A

Nominal Voltage: 60 VAC / 75 VDC

Contact: CuZn, pre-nickeled and
0.8 microns gold-plated

O-Ring: Viton

Body: TPU, self-extinguishing

Securing Safety nut: Nickel plated brass

Protection: IP67

Contact Resistance: ≤ 5m Ω

Insulation Group: C acc. to VDE0110

Test Voltage: 1.5 KV eff./ 60 s.

Insulation Resistance: >10⁹ Ω

Catalog Number

Part-No	Poles	Face View female	ColorCode	Conductors		Outer Jacket	
				Gage	Stranding	φ mm	Material
M8-FA3-PVC-2M	3		1=brown 3=blue 4=black	0.34mm ²	42xφ0.10	5.0	PVC
M8-FA3-PUR-2M				0.34mm ²	42xφ0.10		PUR/PVC
M8-FA4-PVC-2M	4		1=brown 2=white 3=blue 4=black	0.25mm ²	32xφ0.10	5.0	PVC
M8-FA4-PUR-2M				0.25mm ²	32xφ0.10		PUR/PVC

Standard Length: 2.0 m, 3.0 m, 7.5 m, 10.0 m. Other cable lengths or cable specifications upon request