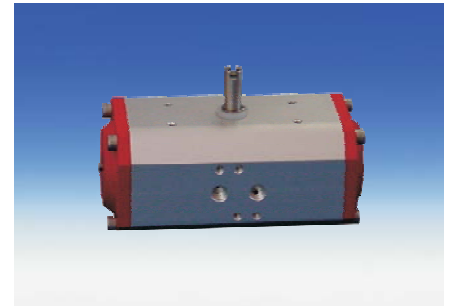
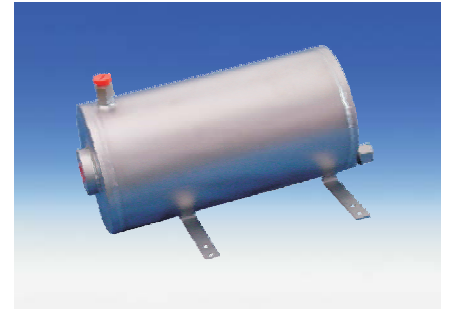
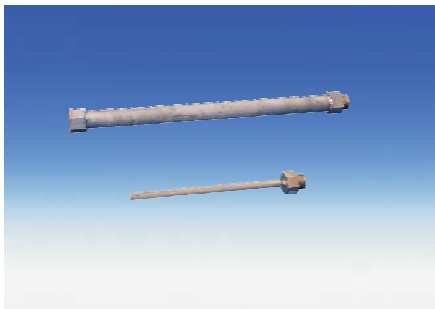
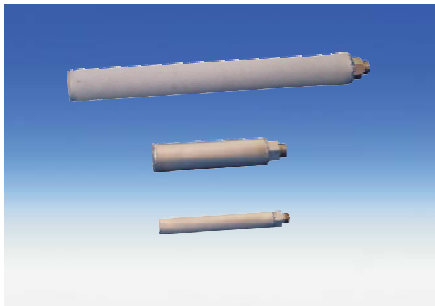
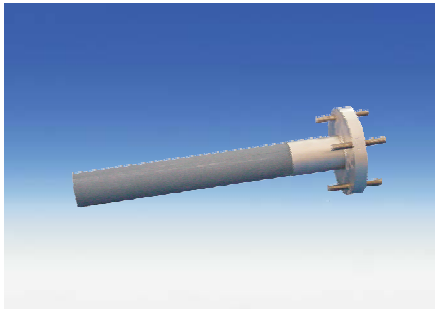


## Accessories for Sample Gas Probe GAS 222



- Sample tubes
- In-situ filters
- Extensions

- Downstream filters
- Cal gas connections
- Adapter flanges

- Capacitive vessel
- Pneumatic actuators
- 3/2-way-solenoid valves
- Blowback controllers

Page 2 - 4

Page 8

Page 5 - 7

For general information, see data sheet "Sample gas probes GAS 222" DE461000.

Sample tubes, in-situ filters and extensions					222.10	222.11	222.30	222.35-U	222.15	222.17	222.20	222.21	222.31	222.35	222.20 DH	222.20 Atex	222.21 Atex	222.31 Atex	222.35 Atex	222.20 Atex2	222.21 Atex2	222.31 Atex2	222.35 Atex2	222.10 ANSI	222.11 ANSI/ CSA	222.30 ANSI/ CSA	222.35-U ANSI/ CSA	222.15 ANSI/ CSA	222.17 ANSI/ CSA	222.20 ANSI/ CSA	222.21 ANSI/ CSA	222.31 ANSI/ CSA	222.35 ANSI/ CSA	222.20 DH ANSI/ CSA	222.20 AMEX	222.21 AMEX	222.31 AMEX	222.35 AMEX	Type GAS	
Sample tube																																								
Material	T max.	Length	Part No.:																																					
01	1.4571	600°C	300 mm	462220010300	X	X		X	X	X	X			X	X	X			X	X			X	X			X	X	X	X					X	X	X			
01	1.4571	600°C	500 mm	462220010500	X	X		X	X	X	X			X	X	X			X	X			X	X			X	X	X	X					X	X	X			
01	1.4571	600°C	1000 mm	462220011000	X	X		X	X	X	X			X	X	X			X	X			X	X			X	X	X	X					X	X	X			
01	1.4571	600°C	1500 mm	462220011500	X	X		X	X	X	X			X	X	X			X	X			X	X			X	X	X	X					X	X	X			
01	1.4571	600°C	2000 mm	462220012000	X	X		X	X	X	X			X	X	X			X	X			X	X			X	X	X	X					X	X	X			
02	Ceramics / 1.4571	1600°C	0.5 m	4622200205	X	X		X	X	X	X			X	X	X			X	X			X	X			X	X	X	X					X	X	X			
02	Ceramics / 1.4571	1600°C	1.0 m	4622200210	X	X		X	X	X	X			X	X	X			X	X			X	X			X	X	X	X					X	X	X			
02	Ceramics / 1.4571	1600°C	1.5 m	4622200215	X	X		X	X	X	X			X	X	X			X	X			X	X			X	X	X	X					X	X	X			
06	Hastelloy / 1.4571	400°C	500 mm	462220060500	X	X		X	X	X	X			X	X	X			X	X			X	X			X	X	X	X					X	X	X			
06	Hastelloy / 1.4571	400°C	1000 mm	462220061000	X	X		X	X	X	X			X	X	X			X	X			X	X			X	X	X	X					X	X	X			
06	Hastelloy / 1.4571	400°C	1500 mm	462220061500	X	X		X	X	X	X			X	X	X			X	X			X	X			X	X	X	X					X	X	X			
06	Hastelloy / 1.4571	400°C	2000 mm	462220062000	X	X		X	X	X	X			X	X	X			X	X			X	X			X	X	X	X					X	X	X			
08	Inconel / 1.4571	1050°C	500 mm	462220040500	X	X		X	X	X	X			X	X	X			X	X			X	X			X	X	X	X					X	X	X			
08	Inconel / 1.4571	1050°C	1000 mm	462220041000	X	X		X	X	X	X			X	X	X			X	X			X	X			X	X	X	X					X	X	X			
08	Inconel / 1.4571	1050°C	1500 mm	462220041500	X	X		X	X	X	X			X	X	X			X	X			X	X			X	X	X	X					X	X	X			
08	Inconel / 1.4571	1050°C	2000 mm	462220042000	X	X		X	X	X	X			X	X	X			X	X			X	X			X	X	X	X					X	X	X			
08	Inconel / 1.4571	1050°C	2500 mm	462220042500	X	X		X	X	X	X			X	X	X			X	X			X	X			X	X	X	X					X	X	X			
12	1.4571	600°C	500 mm	462220160500	X	X		X	X	X	X			X	X	X			X	X			X	X			X	X	X	X					X	X	X			
12	1.4571	600°C	1000 mm	462220161000	X	X		X	X	X	X			X	X	X			X	X			X	X			X	X	X	X					X	X	X			
12	1.4571	600°C	1500 mm	462220161500	X	X		X	X	X	X			X	X	X			X	X			X	X			X	X	X	X					X	X	X			
12	1.4571	600°C	2000 mm	462220162000	X	X		X	X	X	X			X	X	X			X	X			X	X			X	X	X	X					X	X	X			
13	Kanthal / 1.4571	1400°C	up to 1 m	46222017	X	X		X	X	X	X			X					X	X			X	X			X	X	X	X					X	X	X			
	Sample tube with demister PVDF/ETFE	120°C	800 mm	46222040	X	X		X	X	X	X			X					X				X	X			X	X	X	X					X					
	Demister ETFE / as spare part	120°C		462220402	X	X		X	X	X	X			X					X				X	X			X	X	X	X					X					
	Sample tube with demister / 1.4571	400°C	300 mm	4622204203	X	X		X	X	X	X			X					X				X	X			X	X	X	X					X					
	Sample tube with demister / 1.4571	400°C	500 mm	4622204205	X	X		X	X	X	X			X					X				X	X			X	X	X	X					X					
	Sample tube with demister / 1.4571	400°C	1000 mm	4622204210	X	X		X	X	X	X			X					X				X	X			X	X	X	X					X					
	Demister 1.4571 / as spare part	400°C		4611004	X	X		X	X	X	X			X					X				X	X			X	X	X	X					X					

Sample tubes, in-situ filters and extensions						222.10	222.11	222.30	222.35-U	222.15	222.17	222.20	222.21	222.31	222.35	222.20 DH	222.20 Atex	222.21 Atex	222.31 Atex	222.35 Atex	222.20 Atex2	222.21 Atex2	222.31 Atex2	222.35 Atex2	222.10 ANSI	222.11 ANSI/ CSA	222.30 ANSI/ CSA	222.35-U ANSI/ CSA	222.15 ANSI/ CSA	222.17 ANSI/ CSA	222.20 ANSI/ CSA	222.21 ANSI/ CSA	222.31 ANSI/ CSA	222.35 ANSI/ CSA	222.20 DH ANSI/ CSA	222.20 AMEX	222.21 AMEX	222.31 AMEX	222.35 AMEX	Type GAS						
						In-situ filter					Part No.:																																			
	Material	T max.	Length	Pore size	Part No.:																																									
03	stainless steel	600°C	237 mm	5 µm	46222303	X	X					X	X				X	X			X	X			X	X																				
03F	stainless steel	600°C	237 mm	0.5 µm	46222303F*	X	X					X	X				X	X			X	X			X	X																				
03H	Hastelloy	600°C	237 mm	5 µm	46222303H*	X	X					X	X				X	X			X	X			X	X																				
03HF	Hastelloy	600°C	237 mm	0.5 µm	46222303HF*	X	X					X	X				X	X			X	X			X	X																				
031	stainless steel, with volume displacer	600°C	237 mm	5 µm	462223031	X	X					X	X				X	X			X	X			X	X																				
031F	stainless steel, with volume displacer	600°C	237 mm	0.5 µm	462223031F*	X	X					X	X				X	X			X	X			X	X																				
031H	Hastelloy, with volume displacer	600°C	237 mm	5 µm	462223031H*	X	X					X	X				X	X			X	X			X	X																				
031HF	Hastelloy, with volume displacer	600°C	237 mm	0.5µm	462223031HF*	X	X					X	X				X	X			X	X			X	X																				
04	stainless steel	600°C	538 mm	5 µm	46222304	X	X					X	X				X	X			X	X			X	X																				
04F	stainless steel	600°C	538 mm	0.5 µm	46222304F*	X	X					X	X				X	X			X	X			X	X																				
04H	Hastelloy	600°C	538 mm	5 µm	46222304H*	X	X					X	X				X	X			X	X			X	X																				
04HF	Hastelloy	600°C	538 mm	0.5 µm	46222304HF*	X	X					X	X				X	X			X	X			X	X																				
041	stainless steel, with volume displacer	600°C	538 mm	5 µm	462223041	X	X					X	X				X	X			X	X			X	X																				
041F	stainless steel, with volume displacer	600°C	538 mm	0.5 µm	462223041F*	X	X					X	X				X	X			X	X			X	X																				
041H	Hastelloy, with volume displacer	600°C	538 mm	5 µm	462223041H*	X	X					X	X				X	X			X	X			X	X																				
041HF	Hastelloy, with volume displacer	600°C	538 mm	0.5 µm	462223041HF*	X	X					X	X				X	X			X	X			X	X																				
07	Ceramics / 1.4571	1000°C <sup>1)</sup>	478 mm	2 µm	46222307	X	X					X	X				X	X			X	X																								
07F	Ceramics / 1.4571	1000°C <sup>1)</sup>	478 mm	0.3 µm	46222307F*	X	X					X	X				X	X																												
07 ANSI	Ceramics / 1.4571	1000°C <sup>1)</sup>	478 mm	2 µm	46222307C																				X	X																				
35	stainless steel	600°C	229 mm	5 µm	46222359				X					X									X																						X	
35F	stainless steel	600°C	229 mm	0.5 µm	46222359F*				X					X									X																						X	

1) Hot gas filtration, oxidizing atmosphere max. 750 °C  
Hot gas filtration, reductive atmosphere max. 600 °C

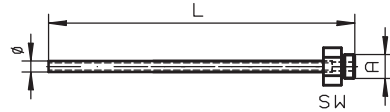
\* Prices and delivery time on request

<b>Sample tubes, in-situ filters and extensions</b>					222.10	222.11	222.30	222.35-U	222.15	222.17	222.20	222.21	222.31	222.35	222.20 DH	222.20 Atex	222.21 Atex	222.31 Atex	222.35 Atex	222.20 Atex2	222.21 Atex2	222.31 Atex2	222.35 Atex2	222.10 ANSI	222.11 ANSI/ CSA	222.30 ANSI/ CSA	222.35-U ANSI/ CSA	222.15 ANSI/ CSA	222.17 ANSI/ CSA	222.20 ANSI/ CSA	222.21 ANSI/ CSA	222.31 ANSI/ CSA	222.35 ANSI/ CSA	222.20 DH ANSI/ CSA	222.20 AMEX	222.21 AMEX	222.31 AMEX	222.35 AMEX	Type GAS		
<b>Protection shield</b>					<b>Part No.:</b>																																				
for in-situ filter 03					462223034	X	X				X	X					X	X		X	X			X	X							X	X								
for in-situ filter 04					462223044	X	X				X	X					X	X		X	X			X	X							X	X								
<b>Extensions</b>																																									
Type	Material	Mains voltage	Length	Part No.																																					
G3/4 nonheated	1.4571		0.2 m	4622230320200	X	X	X		X	X	X	X	X		X	X	X	X		X	X	X		X	X	X		X	X	X	X	X	X	X	X	X	X	X	X		
G3/4 nonheated	1.4571		0.4 m	4622230320400	X	X	X		X	X	X	X	X		X	X	X	X		X	X	X		X	X	X		X	X	X	X	X	X	X	X	X	X	X	X	X	
G3/4 nonheated	1.4571		0.5 m	4622230320500	X	X	X		X	X	X	X	X		X	X	X	X		X	X	X		X	X	X		X	X	X	X	X	X	X	X	X	X	X	X	X	
G3/4 nonheated	1.4571		0.7 m	4622230320700	X	X	X		X	X	X	X	X		X	X	X	X		X	X	X		X	X	X		X	X	X	X	X	X	X	X	X	X	X	X	X	
G3/4 nonheated	1.4571		1 m	4622230321000	X	X	X		X	X	X	X	X		X	X	X	X		X	X	X		X	X	X		X	X	X	X	X	X	X	X	X	X	X	X	X	
G3/4 nonheated	1.4571		1,2 m	4622230321200	X	X	X		X	X	X	X	X		X	X	X	X		X	X	X		X	X	X		X	X	X	X	X	X	X	X	X	X	X	X	X	
G3/4 nonheated	1.4571		1,5 m	4622230321500	X	X	X		X	X	X	X	X		X	X	X	X		X	X	X		X	X	X		X	X	X	X	X	X	X	X	X	X	X	X	X	
G3/4 nonheated	1.4571		2 m	4622230322000	X	X	X		X	X	X	X	X		X	X	X	X		X	X	X		X	X	X		X	X	X	X	X	X	X	X	X	X	X	X	X	
G1/2 nonheated	1.4571		0,25 m	4622235910250				X						X					X				X				X												X		
G1/2 nonheated	1.4571		0,5 m	4622235910500				X						X					X				X				X												X		
G1/2 nonheated	1.4571		0,7 m	4622235910700				X						X					X				X				X												X		
G1/2 nonheated	1.4571		1,5 m	4622235911500				X						X					X				X				X												X		
GF heated*	1.4571	230V	0.5 m	462223036							X	X	X																												
GF heated*	1.4571	230V	1 m	462223033							X	X	X																												
GF ANSI / CSA,heated*	1.4571	115V	0.5 m	462223036C1																																					
GF ANSI / CSA,heated*	1.4571	115V	1 m	462223033C1																																					
Controller for heated extension integrated into probe controller					46222292						X	X	X																												

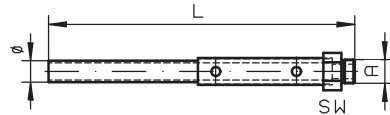
\* Mounting is only possible at a plain flange without G3/4 thread. Therefore a G has to be added to the part number, e.g. 4622220G.  
It is not possible to add a heated extension after delivery.

### Entnahmerohre / tubes

Typ	L	ø	A	SW
01 var.	12	G3/4	36	
06 var.	12	G3/4	36	
08 var.	21,3	G3/4	36	
12 var.	20	G3/4	36	
13 var.	15	G3/4	36	
14 var.	18	G3/4	36	



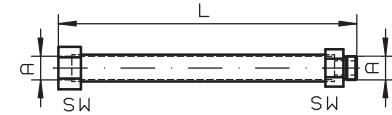
Typ	L	ø	A	SW
02-0,5	500	24	G3/4	36
02-1,0	1000	24	G3/4	36
02-1,5	1500	24	G3/4	36



### Verlängerungen / extensions

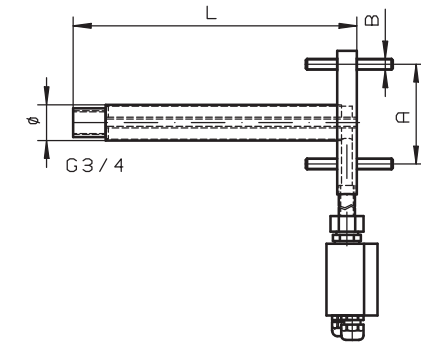
Unbeheizt / unheated

Typ	L	A	SW
G3/4	0,2-2 m	G3/4	36
G1/2	0,25-1,5 m	G1/2	27



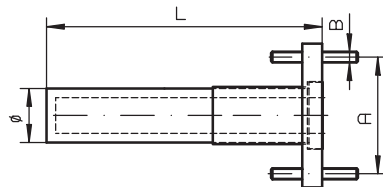
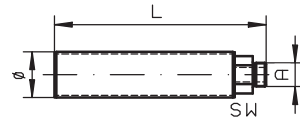
Beheizt / heated

Typ	L	ø	A	B
GF	500	40	DN65 PN6	M12
GF	1000	40	DN65 PN6	M12
GF ANSI/CSA	500	40	DN3"-150	M16
GF ANSI/CSA	1000	40	DN3"-150	M16



### Eintrittsfilter / in-situ filter

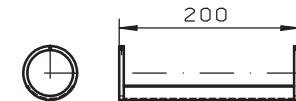
Typ	L	ø	A	SW
03	237	51	G3/4	36
031	237	51	G3/4	36
04	538	60	G3/4	36
041	538	60	G3/4	36
35	229	29	G1/2	27



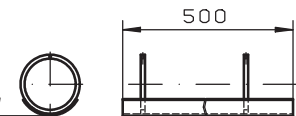
Typ	L	ø	A	B
07	500	60	DN65 PN6	M12
07 ANSI	500	60	DN3"-150	M16

### Abweisblech / protection shield

Eintrittsfilter / in-situ filter 03



Eintrittsfilter / in-situ filter 04



alle Kanten gratfrei	ALLE RECHTE VORBEHALTEN	Maße ohne Toleranzangabe nach ISO 2768-mK	Maßstab 1:5 (Gewicht)
Oberflächenbear- beitungszeichen		Datum 21.01.2004	Werkstoff:
✓ = √ <sub>Rz</sub>		Name Brinkmann	Benennung: Rohr/Filter/Verlängerungen tubes/filter/extensions GAS 222
✓ = √ <sub>Rz</sub> 63		Gepr.	Zeichng.-Nr. 46/107-Z01-01-3A
✓ = √ <sub>Rz</sub> 16			Art.-Nr.
✓ = √ <sub>Rz</sub> 4			ARBEITSANWEISUNG:
	a neu 29.09.06 Br		
	Zust. And. Datum Name Ers für		

<b>Blowback</b>			222.10	222.11	222.30	222.35-U	222.15	222.17	222.20	222.21	222.31	222.35	222.20 DH	222.20 Atex	222.21 Atex	222.31 Atex	222.35 Atex	222.20 Atex2	222.21 Atex2	222.31 Atex2	222.35 Atex2	222.10 ANSI	222.11 ANSI/ CSA	222.30 ANSI/ CSA	222.35-U ANSI/ CSA	222.15 ANSI/ CSA	222.17 ANSI/ CSA	222.20 ANSI/ CSA	222.21 ANSI/ CSA	222.31 ANSI/ CSA	222.35 ANSI/ CSA	222.20 DH ANSI/ CSA	222.20 AMEX	222.21 AMEX	222.31 AMEX	222.35 AMEX	Type GAS		
Capacitive vessel	Ambient temperature	Part No.:																																					
PAV 01		46222PAV	X	X	X				X	X	X			X	X	X		X	X	X		X	X	X				X	X	X			X	X	X				
<b>Accessories for capacitive vessel</b>																																							
ball valve		46222PAVKH	X	X	X				X	X	X			X	X	X		X	X	X		X	X	X				X	X	X			X	X	X				
2/2-way-MV 24VDC*	-10 ... +55°C	46222PAVMV1	X	X	X				X	X	X																	X	X	X									
2/2-way-MV 110V 50Hz	-10 ... +55°C	46222PAVMV2	X	X	X				X	X	X																												
2/2-way-MV 220-230V 50/60Hz	-10 ... +55°C	46222PAVMV3	X	X	X				X	X	X																												
2/2-way-MV 24VUC Atex II 2G/D EEx m II T4 IP65	-10 ... +60°C	46222PAVMV4	X	X	X									X	X	X		X	X	X																			
2/2-way-MV 110VUC Atex II 2G/D EEx m II T4 IP65	-10 ... +60°C	46222PAVMV5	X	X	X									X	X	X		X	X	X																			
2/2-way-MV 230VUC Atex II 2G/D EEx m II T4 IP65	-10 ... +60°C	46222PAVMV6	X	X	X									X	X	X		X	X	X																			
2/2-way- AMEX 24 V/ 60 Hz Cl. I Div 2	-10 ... +55°C	46222PAVMV14																					X	X	X			X	X	X			X	X	X				
2/2-way- AMEX 120 V/ 60 Hz Cl. I Div 2	-10 ... +55°C	46222PAVMV8																					X	X	X			X	X	X			X	X	X				
2/2-way- AMEX 240 V/ 60 Hz Cl. I Div 2	-10 ... +55°C	46222PAVMV9																					X	X	X			X	X	X			X	X	X				
self regulated heating system 115/230V 50/60Hz		46222PAVHZ1	X	X	X				X	X	X												X	X	X			X	X	X									
self regulated heating system 115-230V 50/60Hz Atex 2 II 3G Ex nA IIC T3 Gc X		46222PAVHZ2																	X	X	X																		
self regulated heating system 115-230V 50/60Hz Atex 2 II 3G Ex nA IIC T4 Gc X		46222PAVHZ3																	X	X	X																		
self regulated heating system AMEX,115-230V,50/60 Hz, Cl. I Div 2 B,C,D,T3		46222PAVHZ4																																		X	X	X	
self regulated heating system AMEX,115-230V,50/60 Hz, Cl. I Div 2 B,C,D,T4		46222PAVHZ6																																		X	X	X	
support of pressurised vessel		462223502				X																			X														
Bourdon tube pressure gauge 0-10 bar		46222PAVMA	X	X	X				X	X	X			X	X	X		X	X	X		X	X	X			X	X	X			X	X	X					
<b>Pneumatic actuators</b>																																							
spring return, opened unpressurised		46222008	X	X					X	X				X	X			X	X			X	X					X	X				X	X					
spring return, closed unpressurised		46222030	X	X					X	X				X	X			X	X			X	X					X	X				X	X					
double action		46222009	X	X					X	X																													
limit switch		9008928	X	X					X	X																													
limit switch Atex II 2G/3D IIC T6 IP65		9008930												X	X			X	X																				
limit switch Atex II 2G/2D IIC T6 IP65		9027002												X	X			X	X																				
<b>3/2-way-SV for controlling of pneumatic actuator</b>																																							
24 VDC	-10 ... +55°C	46222075	X	X					X	X																													
110 V 50 Hz	-10 ... +55°C	46222076	X	X					X	X																													
230 V 50 Hz	-10 ... +55°C	46222077	X	X					X	X																													
ATEX 24 V UC II 2G/D EEx m II T4	-10 ... +60°C	46222078	X	X										X	X			X	X																				
ATEX 110 V UC II 2G/D EEx m II T4	-10 ... +60°C	46222079	X	X										X	X			X	X																				
ATEX 230 V UC II 2G/D EEx m II T4	-10 ... +60°C	46222080	X	X										X	X			X	X																				
AMEX 24 V 60 Hz, NPT1/4", Cl. I Div 2	-10 ... +55°C	46222116																					X	X				X	X					X	X				
AMEX 120 V 60 Hz, NPT1/4", Cl. I Div 2	-10 ... +55°C	46222050																					X	X				X	X					X	X				
AMEX 240 V 60 Hz, NPT1/4", Cl. I Div 2	-10 ... +55°C	46222056																					X	X				X	X					X	X				
5/2-way-SV for controlling of pneumatic actuator	-10 ... +70°C	9148000117	X	X					X	X																													
<b>Blowback controller</b>																																							
RSS 24 VDC, IP65		46222199	X	X	X				X	X	X																												
RSS 115/230 VAC, IP65		46222299	X	X	X				X	X	X																												
RSS-MC integrated into probe controller cabinet		46222392							X	X	X																	X	X	X									

\*max. pressure 6 bar

## Details:

### A) Blowback

#### Ordering note for capacitive vessel:

For attachment to GAS 222.11 / 30 / 35-U, a support is required.

#### Ordering note for pneumatic actuator:

If a blowback controller is required, only actuator P/N 46222030 is possible.

We advise the installation of a position indicator switch to control the pneumatic actuator.

### Integrated blowback controller in the probe controller

In addition to the stand-alone blowback controller (RRS), an integrated blowback controller is optionally available

Blowback cycle time and actual blowback time can be adjusted via the keys and menu of the controller. The blowback and manual operation will be shown on the display. The blowback controller can be programmed via the keys – manual or automatic operation is possible. Besides the status output of the controller, a blowback status signal is provided. Blowback will be usually initiated by signals coming from the main controls.

If the position indicator switch is installed, the controller will use this input for the process logic.

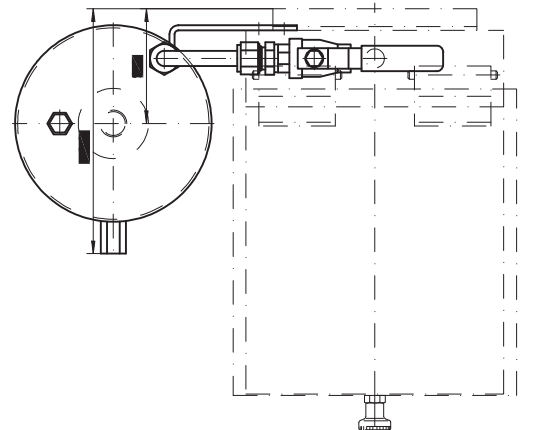
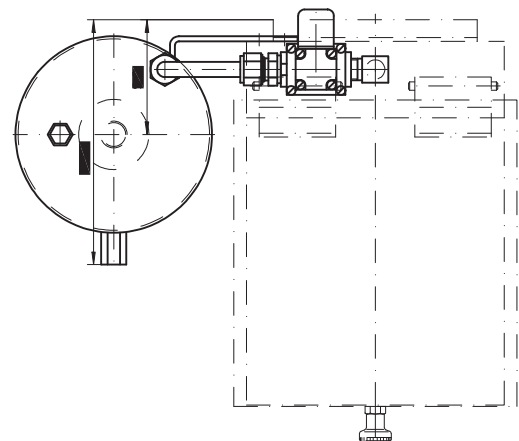
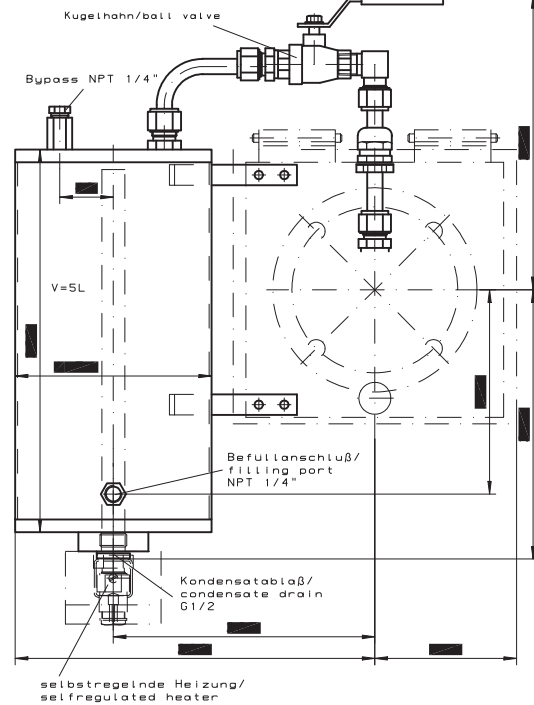
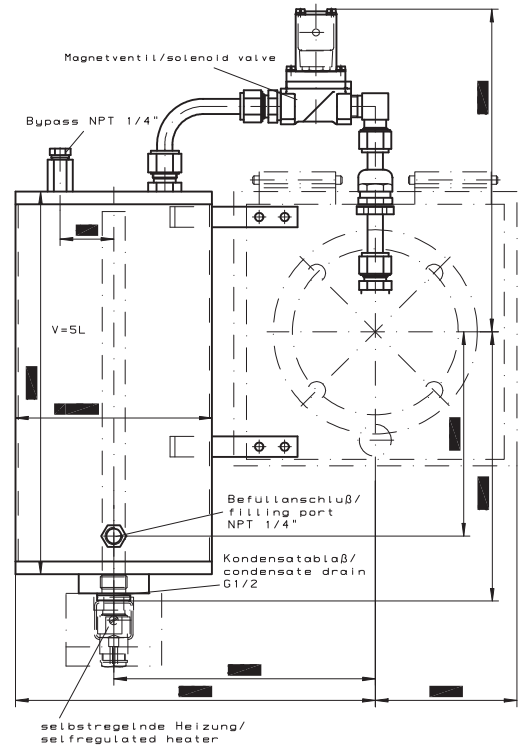
### B) Hazardous Areas

Please note that installed accessories may change the approved category of the probe. Follow strictly the advices given in the installation- and operation manual and regard the marking on the type plate.

Sample Gas Probe GAS 222.xx Atex		
Model	with Accessories	resulting restricted area; marking
21 Atex, 31 Atex, 35 Atex	Pressure vessel PAV 01 (Part-No. 46222PAV with accessories)	II 1D / 2GD
21 Atex, 31 Atex,	In situ filter*, ceramics (Art.-Nr.:46222307 + 46222307F)	II 1D 3G / 2GD
20 Atex , 21 Atex,	Downstream filter*, ceramic (Part-No. 46222026 + 46222026P)	II 1D 3G / 2GD
20 Atex, 21 Atex,	Sample tube (Part-No. 46222001, 462220011, 46222006, 46222004, 46222016)	II 1G / 2GD
20 Atex, 21 Atex,	Sample tube**, ceramics (Part-No. 4622200205, 4622200210, 4622200215)	II 3G / 2GD
21 Atex, 31 Atex,	Pneumatic cylinder with end switch Atex (Part-No. 46222019)	II 1GD / 2G3D

\* Accessory not suitable for sampling dust with extremely low ignition energy < 3mJ.

\*\* When gases are sampled from Zone 2, ceramic sample tube must be used only if application related or process related electrostatic charging is eliminated.



max. Betriebsdruck/operating pressure 10bar  
max. Betriebstemperatur/operating temperature 50°C

"Änderungen nur nach Rücksprache mit dem ATEXbeauftragten zulässig"

alle Kanten gratfrei	<b>ALLE RECHTE VORBEHALTEN</b>	Maße ohne Toleranzangabe nach ISO 2768-mK	Maßstab 1:2,5	(Gewicht)						
Oberflächenbear- beitungszeichen			Herbstoff:							
<ul style="list-style-type: none"> <li>√ = √ Ra</li> <li>√ x = √ Ra, 63</li> <li>√ = √ Ra, 16</li> <li>√ = √ Ra, 4</li> </ul>		<table border="1"> <tr> <th>Datum</th> <th>Name</th> </tr> <tr> <td>Bearb. 05.07.2004</td> <td>Breitmann</td> </tr> <tr> <td>Gepr.</td> <td></td> </tr> </table>	Datum	Name	Bearb. 05.07.2004	Breitmann	Gepr.		Benennung: <b>Druckluftbehälter/ capacitive vessel PAV 01</b>	
Datum	Name									
Bearb. 05.07.2004	Breitmann									
Gepr.										
			Zeichn.-Nr. <b>46/106-Z01-01-2</b>							
			Art.-Nr.							
		Zust. Rnd. Datum Name Ers für	ARBEITSANWEISUNG:							





