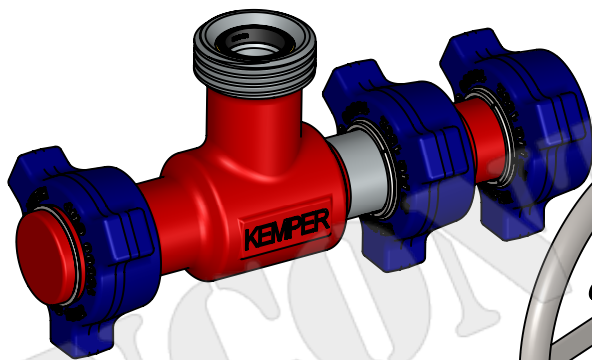


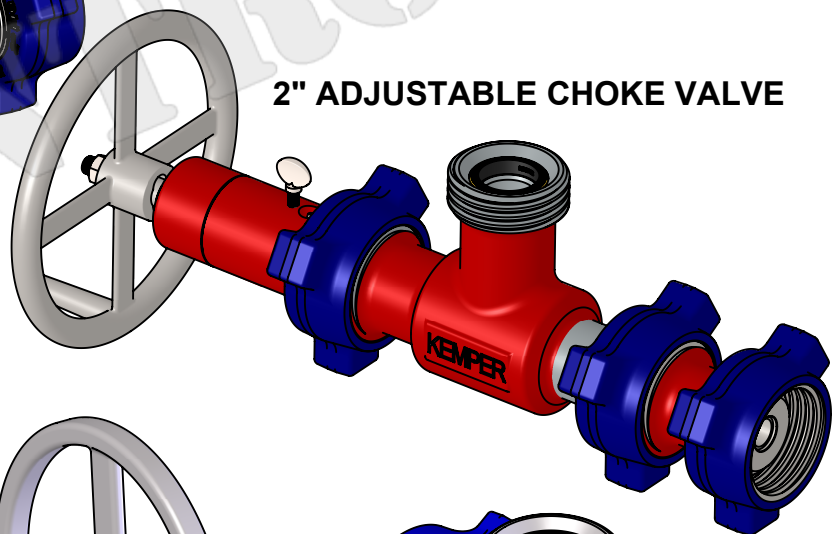
INTEGRAL FLOW LINE CHOKE VALVE

KEMPER Choke Systems conform to Industry Standards and are recommended for all Frac Flowback and Applications

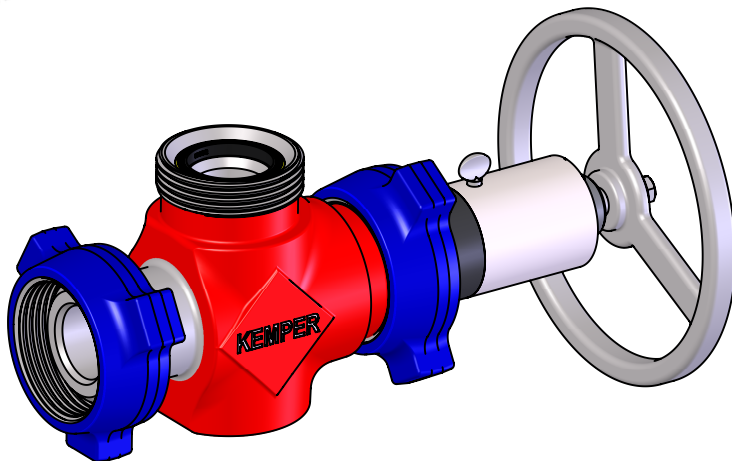
- 3" FIG 1502
- Standard Service Rating 15,000 PSI NSCWP
- Industry Standard Male & Female Wing Connections
- 2" Seat Available for 3" Adjustable Choke
Seats Available in lengths of 3.19" or 6.19"
- Every Choke is pressure tested and has a Material Traceability Report (MTR) and Individually Serialized
- Choke usage can be tracked thru Kemper Red Iron Management System.
- 2" FIG 1502
- Standard Service Rating 15,000 PSI NSCWP
Sour Gas Service Rating 10,000 PSI NSCWP
- Industry Standard Male & Female Wing Connections
- 1" and 3/4" Seats Available for 2" Adjustable Choke
- Every Choke is pressure tested and has a Material Traceability Report (MTR) and Individually Serialized
- Choke usage can be tracked thru Kemper Red Iron Management System.



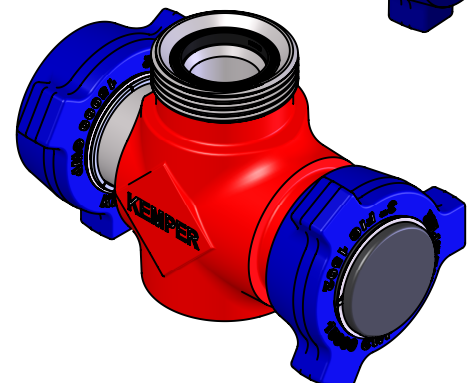
2" POSITIVE CHOKE VALVE



2" ADJUSTABLE CHOKE VALVE

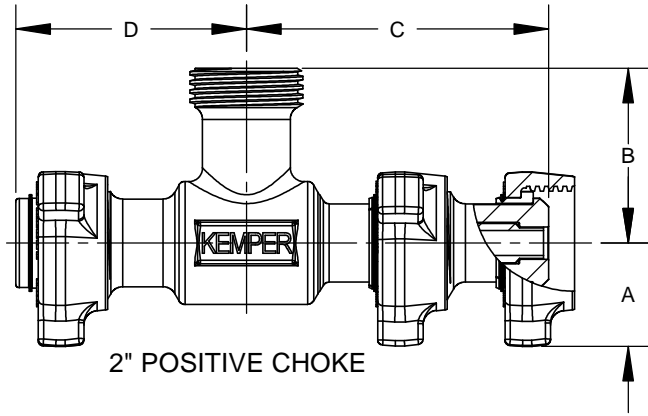


3" ADJUSTABLE CHOKE VALVE



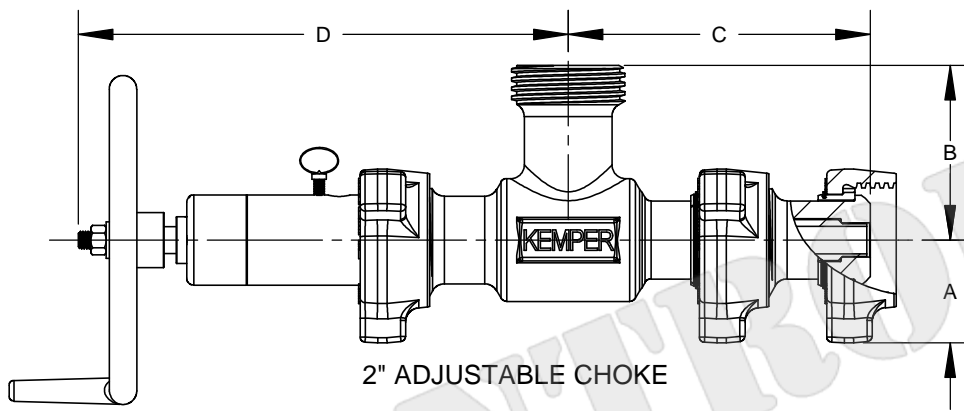
3" POSITIVE CHOKE VALVE

INTEGRAL FLOW LINE CHOKE VALVE

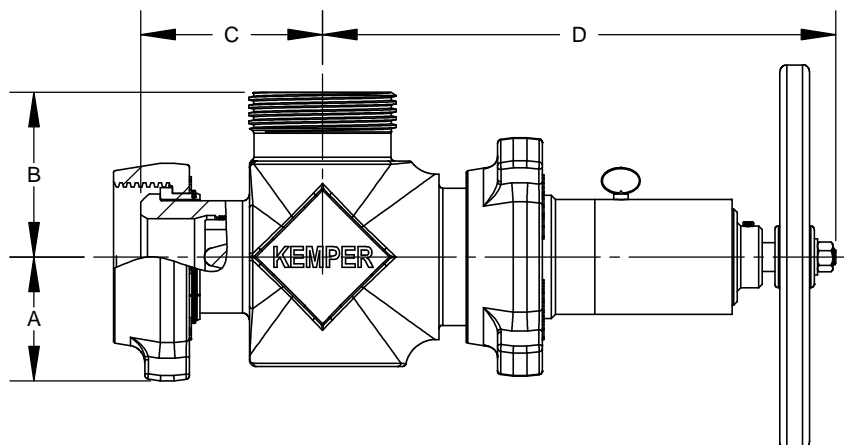
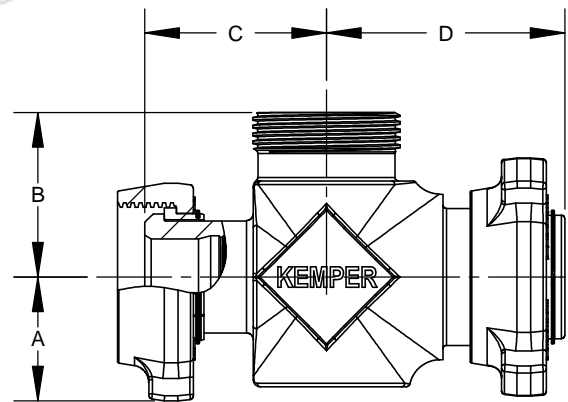


2" CHOKE VALVE DIMENSIONS

SIZE & TYPE	A	B	C	D
2" POS.	3.75"	6.38"	11.02"	8.40"
2" ADJ.	3.75"	6.38"	11.02"	20.44"
2" OFFSET ADJ.	3.75"	5.00"	11.64"	19.76"
2" OFFSET POS	3.75"	5.00"	11.64"	7.02"



SIZE & TYPE	A	B	C	D
3" POS.	4.52"	6.00"	6.63"	8.70"
3" ADJ.	4.52"	6.00"	6.63"	18.71"





INTEGRAL FLOW LINE CHOKE VALVE

ADJUSTABLE CHOKE VALVES

PART NO.	RATING	DESCRIPTION	WT.
2CHOKVLV-1502FM-A-1-00	15,000 PSI	2" 1502 ADJ. CHOKE VALVE W/ 1" SEAT ASSY.	106.5 lbs
2CHOKVLV-1502FM-A-1-52		2" 1502 ADJ. CHOKE VALVE W/ 1" SEAT & 9/16" AUTOCLAVE IN LOCATION "A" ASSY	106.5 lbs
2CHOKVLV-1502FM-A-1-53		2" 1502 ADJ. CHOKE VALVE W/ 1" SEAT & 9/16" AUTOCLAVE IN LOCATION "B" ASSY	106.5 lbs
2CHOKVLV-1502FM-A-1-54		2" 1502 ADJ. CHOKE VALVE W/ 1" SEAT & 9/16" AUTOCLAVE IN LOCATION "C" ASSY	106.5 lbs
2CHOKVLV-1502FM-A-3/4-00		2" 1502 ADJ. CHOKE VALVE W/ 3/4" SEAT ASSY.	106.2 lbs
2CHOKVLV-1502FM-A-3/4-52		2" 1502 ADJ. CHOKE VALVE W/ 3/4" SEAT & 9/16" AUTOCLAVE IN LOCATION "A" ASSY	106.2 lbs
2CHOKVLV-1502FM-A-3/4-53		2" 1502 ADJ. CHOKE VALVE W/ 3/4" SEAT & 9/16" AUTOCLAVE IN LOCATION "B" ASSY	106.2 lbs
2CHOKVLV-1502FM-A-3/4-54		2" 1502 ADJ. CHOKE VALVE W/ 3/4" SEAT & 9/16" AUTOCLAVE IN LOCATION "C" ASSY	106.2 lbs
2CHOKVLV-1502MM-A-SPL-1		2" 1502 ADJ. CHOKE VALVE MXM W/ 1" SEAT ASSY.	113.8 lbs
3CHOKVLV-1502FM-A-2-00		3" ADJ. CHOKE VALVE W/ 2" SEAT X 3.19" LONG ASSY	165.5 lbs
3CHOKVLV-1502FM-A-2-52		3" ADJ. CHOKE VALVE W/ 2" SEAT X 3.19" LONG - 9/16" AUTOCLAVE IN TEE IN LOCATION "A" ASSY	165.5 lbs
3CHOKVLV-1502FM-A-2-53		3" ADJ. CHOKE VALVE W/ 2" SEAT X 3.19" LONG - 9/16" AUTOCLAVE IN TEE IN LOCATION "B" ASSY	165.5 lbs
3CHOKVLV-1502FM-A-2-54		3" ADJ. CHOKE VALVE W/ 2" SEAT X 3.19" LONG - 9/16" AUTOCLAVE IN TEE IN LOCATION "C" ASSY	165.5 lbs
3CHOKVLV-1502FM-A-3-00		3" ADJ. CHOKE VALVE W/ 2" SEAT X 6.19" LONG ASSY	167.8 lbs
3CHOKVLV-1502FM-A-3-52		3" ADJ. CHOKE VALVE W/ 2" SEAT X 6.19" LONG - 9/16" AUTOCLAVE IN TEE IN LOCATION "A" ASSY	167.8 lbs
3CHOKVLV-1502FM-A-3-53		3" ADJ. CHOKE VALVE W/ 2" SEAT X 6.19" LONG - 9/16" AUTOCLAVE IN TEE IN LOCATION "B" ASSY	167.8 lbs
3CHOKVLV-1502FM-A-3-54		3" ADJ. CHOKE VALVE W/ 2" SEAT X 6.19" LONG - 9/16" AUTOCLAVE IN TEE IN LOCATION "C" ASSY	167.8 lbs

OFFSET ADJUSTABLE CHOKE VALVES

PART NO.	RATING	DESCRIPTION	WT.
2CHOKVLO-1502FM-A-1-00	15,000 PSI	2" 1502 OFFSET ADJ. CHOKE VALVE W/ 1" SEAT ASSY.	102.5 lbs
2CHOKVLO-1502FM-A-1-52		2" 1502 OFFSET ADJ. CHOKE VALVE W/ 1" SEAT & 9/16" AUTOCLAVE IN TEE LOCATION "A" ASSY	102.5 lbs
2CHOKVLO-1502FM-A-1-53		2" 1502 OFFSET ADJ. CHOKE VALVE W/ 1" SEAT & 9/16" AUTOCLAVE IN TEE LOCATION "B" ASSY	102.5 lbs
2CHOKVLO-1502FM-A-1-54		2" 1502 OFFSET ADJ. CHOKE VALVE W/ 1" SEAT & 9/16" AUTOCLAVE IN TEE LOCATION "C" ASSY	102.5 lbs
2CHOKVLO-1502FM-A-3/4-00		2" 1502 OFFSET ADJ. CHOKE VALVE W/ 3/4" SEAT ASSY.	102.5 lbs
2CHOKVLO-1502FM-A-3/4-52		2" 1502 OFFSET ADJ. CHOKE VALVE W/ 3/4" SEAT & 9/16" AUTOCLAVE IN TEE LOCATION "A" ASSY	102.5 lbs

100213

ALL WEIGHTS ARE APPROXIMATE - EXACT SHIPPING WEIGHT MAY VARY



INTEGRAL FLOW LINE CHOKE VALVE

POSITIVE CHOKE VALVES

PART NO.	RATING	DESCRIPTION	WT.
2CHOKVLO-1502FM-A-3/4-53	15,000 PSI	2" 1502 OFFSET ADJ. CHOKE VALVE W/ 3/4" SEAT & 9/16" AUTOCLAVE IN TEE LOCATION "B" ASSY	102.5 lbs
2CHOKVLO-1502FM-A-3/4-54		2" 1502 OFFSET ADJ. CHOKE VALVE W/ 3/4" SEAT & 9/16" AUTOCLAVE IN TEE LOCATION "C" ASSY	102.5 lbs

POSITIVE CHOKE VALVES

PART NO.	RATING	DESCRIPTION	WT.
2CHOKVLV-1502FM-P-00-00	15,000 PSI	2" 1502 POSITIVE CHOKE VALVE NO BEAN ASSY.	81.5 lbs
2CHOKVLV-1502FM-P-00-40		2" 1502 POSITIVE CHOKE VALVE NO BEAN W/ 1/2" NPT IN MALE BULL ASSY.	81.5 lbs
2CHOKVLV-1502FM-P-00-51		2" 1502 POSITIVE CHOKE VALVE NO BEAN W/ 9/16" AUTOCLAVE IN BULL ASSY.	81.5 lbs
2CHOKVLV-1502FM-P-00-52		2" 1502 POSITIVE CHOKE VALVE NO BEAN W/ 9/16" AUTOCLAVE IN TEE LOCATION "A" ASSY	81.5 lbs
2CHOKVLV-1502FM-P-00-53		2" 1502 POSITIVE CHOKE VALVE NO BEAN W/ 9/16" AUTOCLAVE IN TEE LOCATION "B" ASSY	81.5 lbs
2CHOKVLV-1502FM-P-00-54		2" 1502 POSITIVE CHOKE VALVE NO BEAN W/ 9/16" AUTOCLAVE IN TEE LOCATION "C" ASSY	81.5 lbs
3CHOKVLV-1502FM-P-00-00		3" 1502 POSITIVE CHOKE VALVE NO BEAM ASSY	123.9 lbs
3CHOKVLV-1502FM-P-00-52		3" 1502 POSITIVE CHOKE VALVE NO BEAN W/ 9/16" AUTOCLAVE IN TEE LOCATION "A" ASSY	123.9 lbs
3CHOKVLV-1502FM-P-00-53		3" 1502 POSITIVE CHOKE VALVE NO BEAN W/ 9/16" AUTOCLAVE IN TEE LOCATION "B" ASSY	123.9 lbs
3CHOKVLV-1502FM-P-00-54		3" 1502 POSITIVE CHOKE VALVE NO BEAN W/ 9/16" AUTOCLAVE IN TEE LOCATION "C" ASSY	123.9 lbs

OFFSET POSITIVE CHOKE VALVES

PART NO.	RATING	DESCRIPTION	WT.
2CHOKVLO-1502FM-P-00-00	15,000 PSI	2" 1502 OFFSET POS. CHOKE VALVE NO BEAN	76.6 lbs
2CHOKVLO-1502FM-P-00-51		2" 1502 OFFSET POSITIVE CHOKE NO BEAN W/ 9/16" AUTOCLAVE IN BULL ASSY	76.6 lbs
2CHOKVLO-1502FM-P-00-52		2" 1502 OFFSET POSITIVE CHOKE VALVE NO BEAN W/ 9/16" AUTOCLAVE IN TEE IN LOCATION "A" ASSY	76.6 lbs
2CHOKVLO-1502FM-P-00-53		2" 1502 OFFSET POSITIVE CHOKE VALVE NO BEAN W/ 9/16" AUTOCLAVE IN TEE IN LOCATION "B" ASSY	76.6 lbs
2CHOKVLO-1502FM-P-00-54		2" 1502 OFFSET POSITIVE CHOKE VALVE NO BEAN W/ 9/16" AUTOCLAVE IN TEE IN LOCATION "C" ASSY	76.6 lbs

SOUR GAS SERVICE

ADJUSTABLE CHOKE VALVES

92CHOKVLV-1502FM-A-1-00		2" 1502 ADJ. CHOKE VALVE W/ 1" SEAT SOUR GAS ASSY.	106.5 lbs
-------------------------	--	----------------------------------------------------	-----------



INTEGRAL FLOW LINE CHOKE VALVE

OFFSET ADJUSTABLE CHOKE VALVES

PART NO.	RATING	DESCRIPTION	WT.
92CHOKVLV-1502FM-A-1-52	10,000 PSI	2" 1502 ADJ. CHOKE VALVE W/ 1" SEAT & 9/16" AUTOCLAVE IN LOCATION "A" SOUR GAS ASSY	106.5 lbs
92CHOKVLV-1502FM-A-1-53		2" 1502 ADJ. CHOKE VALVE W/ 1" SEAT & 9/16" AUTOCLAVE IN LOCATION "B" SOUR GAS ASSY	106.5 lbs
92CHOKVLV-1502FM-A-1-54		2" 1502 ADJ. CHOKE VALVE W/ 1" SEAT & 9/16" AUTOCLAVE IN LOCATION "C" SOUR GAS ASSY	106.5 lbs
92CHOKVLV-1502FM-A-3/4-00		2" 1502 ADJ. CHOKE VALVE W/ 3/4" SEAT SOUR GAS ASSY.	106.5 lbs
92CHOKVLV-1502FM-A-3/4-52		2" 1502 ADJ. CHOKE VALVE W/ 3/4" SEAT & 9/16" AUTOCLAVE IN LOCATION "A" SOUR GAS ASSY	106.5 lbs
92CHOKVLV-1502FM-A-3/4-53		2" 1502 ADJ. CHOKE VALVE W/ 3/4" SEAT & 9/16" AUTOCLAVE IN LOCATION "B" SOUR GAS ASSY	106.5 lbs
92CHOKVLV-1502FM-A-3/4-54		2" 1502 ADJ. CHOKE VALVE W/ 3/4" SEAT & 9/16" AUTOCLAVE IN LOCATION "C" SOUR GAS ASSY	106.5 lbs

OFFSET ADJUSTABLE CHOKE VALVES

PART NO.	RATING	DESCRIPTION	WT.
92CHOKVLO-1502FM-A-1-00	10,000 PSI	2" 1502 OFFSET ADJ. CHOKE VALVE W/ 1" SEAT SOUR GAS ASSY.	102.5 lbs
92CHOKVLO-1502FM-A-1-52		2" 1502 OFFSET ADJ. CHOKE VALVE W/ 1" SEAT & 9/16" AUTOCLAVE IN TEE LOCATION "A" SOUR GAS ASSY	102.5 lbs
92CHOKVLO-1502FM-A-1-53		2" 1502 OFFSET ADJ. CHOKE VALVE W/ 1" SEAT & 9/16" AUTOCLAVE IN TEE LOCATION "B" SOUR GAS ASSY	102.5 lbs
92CHOKVLO-1502FM-A-1-54		2" 1502 OFFSET ADJ. CHOKE VALVE W/ 1" SEAT & 9/16" AUTOCLAVE IN TEE LOCATION "C" SOUR GAS ASSY	102.5 lbs
92CHOKVLO-1502FM-A-3/4-00		2" 1502 OFFSET ADJ. CHOKE VALVE W/ 3/4" SEAT SOUR GAS ASSY.	102.5 lbs
92CHOKVLO-1502FM-A-3/4-52		2" 1502 OFFSET ADJ. CHOKE VALVE W/ 3/4" SEAT & 9/16" AUTOCLAVE IN TEE LOCATION "A" SOUR GAS ASSY	102.5 lbs
92CHOKVLO-1502FM-A-3/4-53		2" 1502 OFFSET ADJ. CHOKE VALVE W/ 3/4" SEAT & 9/16" AUTOCLAVE IN TEE LOCATION "B" SOUR GAS ASSY	102.5 lbs
92CHOKVLO-1502FM-A-3/4-54		2" 1502 OFFSET ADJ. CHOKE VALVE W/ 3/4" SEAT & 9/16" AUTOCLAVE IN TEE LOCATION "C" SOUR GAS ASSY	102.5 lbs

POSITIVE CHOKE VALVES

PART NO.	RATING	DESCRIPTION	WT.
92CHOKVLV-1502FM-P-00-00	10,000 PSI	2" 1502 POSITIVE CHOKE ASSEMBLY NO BEAN SOUR GAS ASSY	81.5 lbs
92CHOKVLV-1502FM-P-00-51		2" 1502 POSITIVE CHOKE VALVE NO BEAN W/ 9/16" AUTOCLAVE IN BULL SOUR GAS ASSY.	81.5 lbs
92CHOKVLV-1502FM-P-00-52		2" 1502 POSITIVE CHOKE VALVE NO BEAN W/ 9/16 AUTOCLAVE IN TEE LOCATION "A" SOUR GAS ASSY	81.5 lbs
92CHOKVLV-1502FM-P-00-53		2" 1502 POSITIVE CHOKE VALVE NO BEAN W/ 9/16 AUTOCLAVE IN TEE LOCATION "B" SOUR GAS ASSY	81.5 lbs



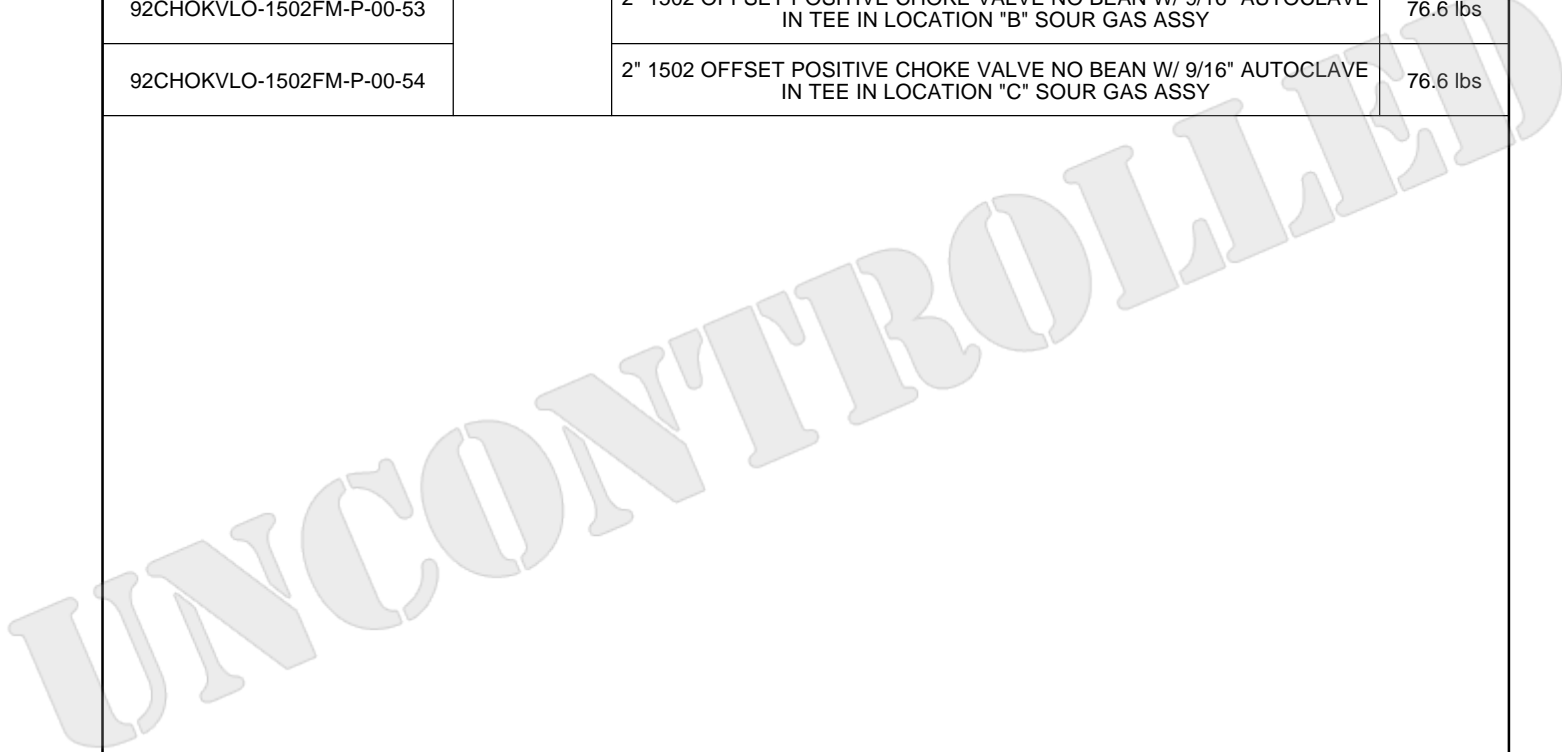
INTEGRAL FLOW LINE CHOKE VALVE

OFFSET POSITIVE CH

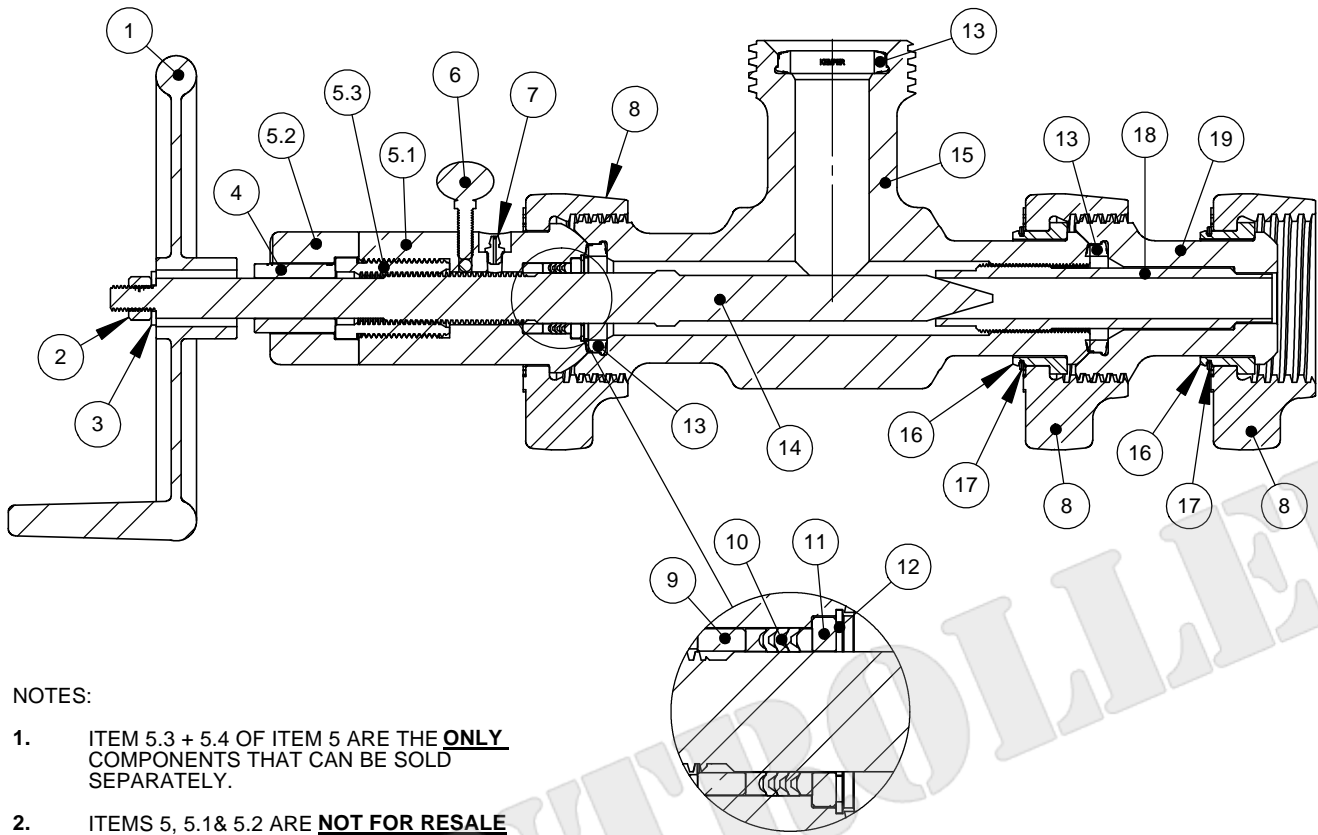
92CHOKVLV-1502FM-P-00-54	10,000 PSI	2" 1502 POSITIVE CHOKE VALVE NO BEAN W/ 9/16 AUTOCLAVE IN TEE LOCATION "C" SOUR GAS ASSY	81.5 lbs
--------------------------	------------	------------------------------------------------------------------------------------------	----------

OFFSET POSITIVE CHOKE VALVES

PART NO.	RATING	DESCRIPTION	WT.
92CHOKVLO-1502FM-P-00-00	10,000 PSI	2" 1502 OFFSET POS. CHOKE VALVE NO BEAN SOUR GAS ASSY.	76.6 lbs
92CHOKVLO-1502FM-P-00-51		2" 1502 OFFSET POSITIVE CHOKE NO BEAN W/ 9/16" AUTOCLAVE IN BULL SOUR GAS ASSY	76.6 lbs
92CHOKVLO-1502FM-P-00-52		2" 1502 OFFSET POSITIVE CHOKE VALVE NO BEAN W/ 9/16" AUTOCLAVE IN TEE IN LOCATION "A" SOUR GAS ASSY	76.6 lbs
92CHOKVLO-1502FM-P-00-53		2" 1502 OFFSET POSITIVE CHOKE VALVE NO BEAN W/ 9/16" AUTOCLAVE IN TEE IN LOCATION "B" SOUR GAS ASSY	76.6 lbs
92CHOKVLO-1502FM-P-00-54		2" 1502 OFFSET POSITIVE CHOKE VALVE NO BEAN W/ 9/16" AUTOCLAVE IN TEE IN LOCATION "C" SOUR GAS ASSY	76.6 lbs



PARTS LIST FOR THE ADJUSTABLE CHOKE - STANDARD TEE / STANDARD SERVICE



NOTES:

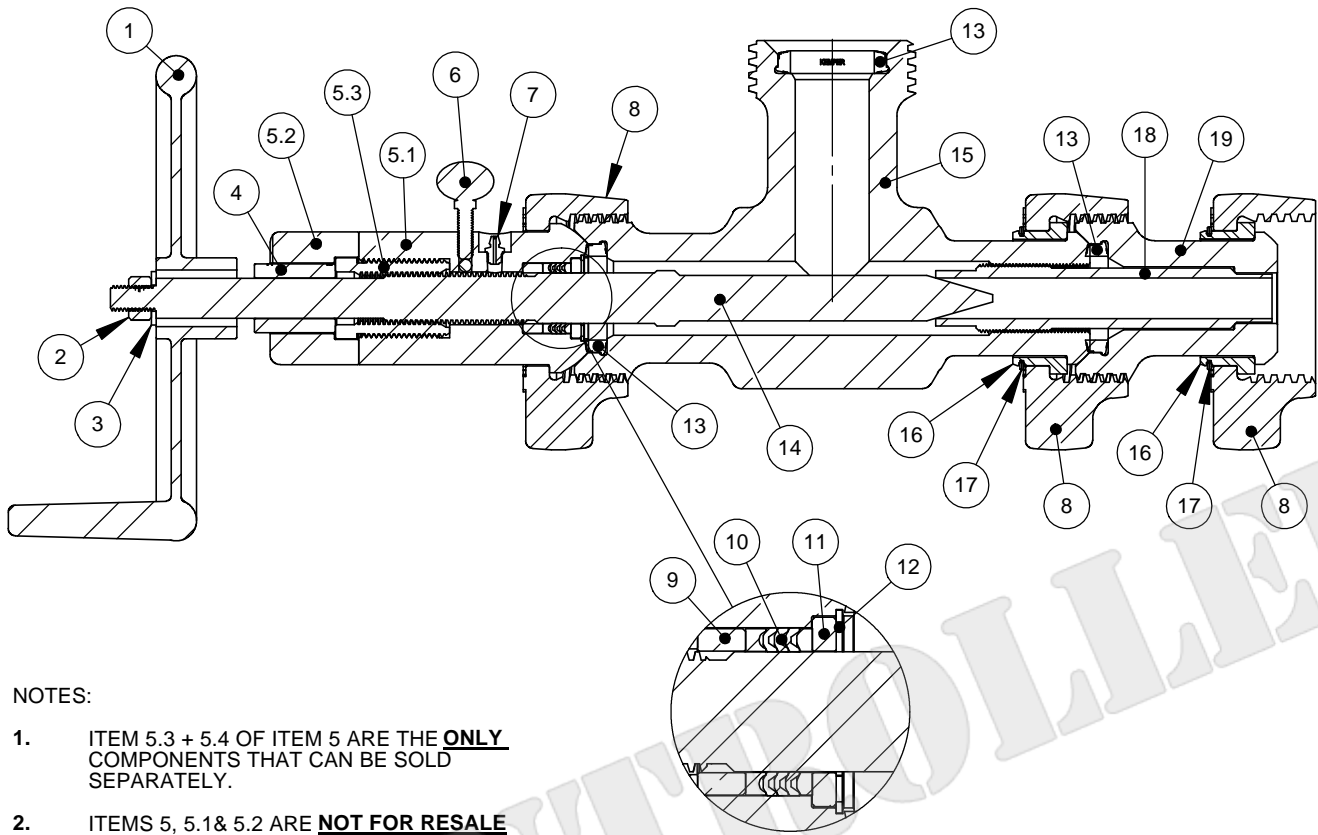
1. ITEM 5.3 + 5.4 OF ITEM 5 ARE THE **ONLY** COMPONENTS THAT CAN BE SOLD SEPARATELY.
2. ITEMS 5, 5.1 & 5.2 ARE **NOT FOR RESALE**
3. ITEM 5.4 IS NOT SHOWN IN MODEL

ITEM	DESCRIPTION	2" 1502	2" 1002	QTY.
1	* HANDWHEEL	2CHOKVLV-012	2CHOKVLV-012	1
2	* HEX NUT	2CHOKVLV-009	2CHOKVLV-009	1
3	* WASHER	2CHOKVLV-008	2CHOKVLV-008	1
4	* INDICATOR	2CHOKVLV-004	2CHOKVLV-004	1
5	* BONNET ASSY	2CHOKVLVBRM-A	-	1
5.1	* BONNET MALE BODY	2CHOKVLVBRM-1	-	1
5.2	* BONNET CAP	2CHOKVLVBRM-2	2CHOKVLVBRM-2	1
5.3	* STEM THREAD GUIDE	2CHOKVLVBRM-3	2CHOKVLVBRM-3	1
5.4	* SHCS 1/4"-20 BOLT	S-SH-1420-2.50-BO	S-SH-1420-2.50-BO	2
6	♂ * THUMB SCREW	2CHOKVLV-010	2CHOKVLV-010	1
7	♂ * GREASE FITTING	2CHOKVLV-007	2CHOKVLV-007	1
8	* HAMMER-LUG NUT	150293	120293	3
9	♂ * BACK SPACER	2CHOKVLV-006	2CHOKVLV-006	1
10	♂ * PACKING SET	2CHOKVLV-003	2CHOKVLV-003	1
11	♂ * FRONT SPACER	2CHOKVLV-005	2CHOKVLV-005	1
12	♂ * INTERNAL SNAP RING	2CHOKVLV-011	2CHOKVLV-011	1
13	UNION SEAL RING	620295B	620295B	3
14	* STEM	2CHOKVLV-001	2CHOKVLV-001	1
15	TEE BODY	2CHOKVLVTRFRFRM	-	1
16	SEGMENTED RING	150297	620297	2
17	RETAINING RING	150296S6	151596S6	2
18	VALVE SEAT	2CHOKVLV-002-X	2CHOKVLV-002-X	1
19	VALVE STOP	2CHOKVLVSRFRM	-	1

061713

ALL WEIGHTS ARE APPROXIMATE - EXACT SHIPPING WEIGHT MAY VARY

PARTS LIST FOR THE ADJUSTABLE CHOKE - STANDARD TEE / SOUR GAS SERVICE



NOTES:

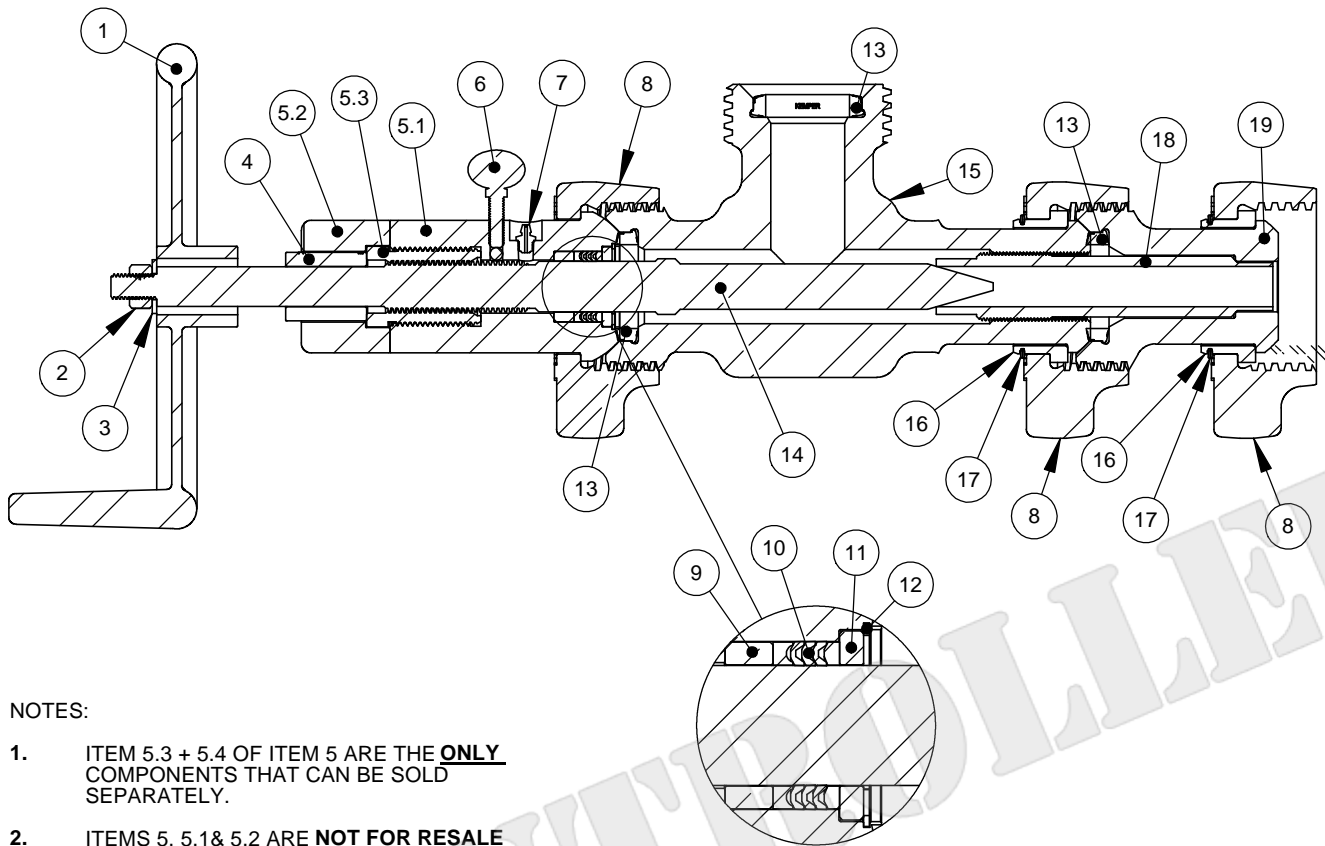
1. ITEM 5.3 + 5.4 OF ITEM 5 ARE THE **ONLY** COMPONENTS THAT CAN BE SOLD SEPARATELY.
2. ITEMS 5, 5.1 & 5.2 ARE **NOT FOR RESALE**
3. ITEM 5.4 IS NOT SHOWN IN MODEL

ITEM	DESCRIPTION	2" 1502	2" 1002	QTY.
1	* HANDWHEEL	2CHOKVLV-012	2CHOKVLV-012	1
2	* HEX NUT	2CHOKVLV-009	2CHOKVLV-009	1
3	* WASHER	2CHOKVLV-008	2CHOKVLV-008	1
4	* INDICATOR	2CHOKVLV-004	2CHOKVLV-004	1
5	* BONNET ASSY	92CHOKVLVBRM-A	-	1
5.1	* BONNET MALE BODY	92CHOKVLVBRM-1	-	1
5.2	* BONNET CAP	92CHOKVLVBRM-2	92CHOKVLVBRM-2	1
5.3	* STEM THREAD GUIDE	2CHOKVLVBRM-3	2CHOKVLVBRM-3	1
5.4	* SHCS 1/4"-20 BOLT	S-SH-1420-2.50-BO	S-SH-1420-2.50-BO	2
6	♂ * THUMB SCREW	2CHOKVLV-010	2CHOKVLV-010	1
7	♂ * GREASE FITTING	2CHOKVLV-007	2CHOKVLV-007	1
8	* HAMMER-LUG NUT	9150293	9120293	3
9	♂ * BACK SPACER	2CHOKVLV-006	2CHOKVLV-006	1
10	♂ * PACKING SET	2CHOKVLV-003	2CHOKVLV-003	1
11	♂ * FRONT SPACER	2CHOKVLV-005	2CHOKVLV-005	1
12	♂ * INTERNAL SNAP RING	2CHOKVLV-011	2CHOKVLV-011	1
13	UNION SEAL RING	V620295	V620295	3
14	* STEM	2CHOKVLV-001	2CHOKVLV-001	1
15	TEE BODY	92CHOKVLVTRFRFRM	-	1
16	SEGMENTED RING	150297	620297	2
17	RETAINING RING	150296S6	151596S6	2
18	VALVE SEAT	2CHOKVLV-002-X	2CHOKVLV-002-X	1
19	VALVE STOP	92CHOKVLVSRFRM	-	1

061713

ALL WEIGHTS ARE APPROXIMATE - EXACT SHIPPING WEIGHT MAY VARY

PARTS LIST FOR THE ADJUSTABLE CHOKE - OFFSET TEE / STANDARD SERVICE



NOTES:

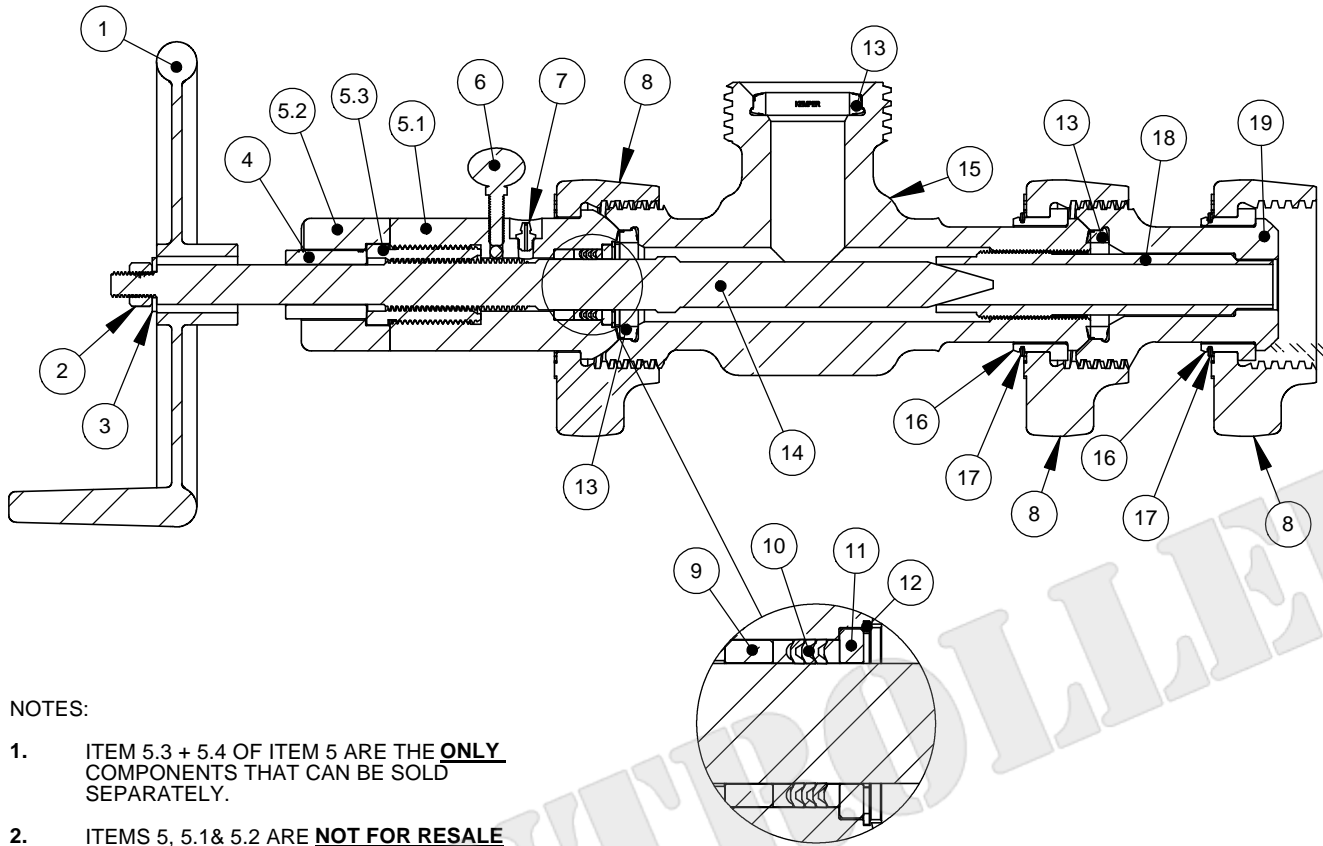
1. ITEM 5.3 + 5.4 OF ITEM 5 ARE THE **ONLY** COMPONENTS THAT CAN BE SOLD SEPARATELY.
2. ITEMS 5, 5.1 & 5.2 ARE **NOT FOR RESALE**
3. ITEM 5.4 IS NOT SHOWN IN MODEL

ITEM	DESCRIPTION	2" 1502	2" 1002	QTY.
1	* HANDWHEEL	2CHOKVLV-012	2CHOKVLV-012	1
2	* HEX NUT	2CHOKVLV-009	2CHOKVLV-009	1
3	* WASHER	2CHOKVLV-008	2CHOKVLV-008	1
4	* INDICATOR	2CHOKVLV-004	2CHOKVLV-004	1
5	* BONNET ASSY	2CHOKVLVBRM-A	-	1
5.1	* BONNET MALE BODY	2CHOKVLVBRM-1	-	1
5.2	* BONNET CAP	2CHOKVLVBRM-2	2CHOKVLVBRM-2	1
5.3	* STEM THREAD GUIDE	2CHOKVLVBRM-3	2CHOKVLVBRM-3	1
5.4	* SHCS 1/4"-20 BOLT	S-SH-1420-2.50-BO	S-SH-1420-2.50-BO	2
6	♂ * THUMB SCREW	2CHOKVLV-010	2CHOKVLV-010	1
7	♂ * GREASE FITTING	2CHOKVLV-007	2CHOKVLV-007	1
8	* HAMMER-LUG NUT	150293	120293	3
9	♂ * BACK SPACER	2CHOKVLV-006	2CHOKVLV-006	1
10	♂ * PACKING SET	2CHOKVLV-003	2CHOKVLV-003	1
11	♂ * FRONT SPACER	2CHOKVLV-005	2CHOKVLV-005	1
12	♂ * INTERNAL SNAP RING	2CHOKVLV-011	2CHOKVLV-011	1
13	UNION SEAL RING	620295B	620295B	3
14	* STEM	2CHOKVLV-001	2CHOKVLV-001	1
15	TEE BODY	2CHOKVLVTRFRFRM-M	-	1
16	SEGMENTED RING	150297	620297	2
17	RETAINING RING	150296S6	151596S6	2
18	VALVE SEAT	2CHOKVLV-002-X	2CHOKVLV-002-X	1
19	VALVE STOP	2CHOKVLVSRFRM	-	1

061713

ALL WEIGHTS ARE APPROXIMATE - EXACT SHIPPING WEIGHT MAY VARY

PARTS LIST FOR THE ADJUSTABLE CHOKE - OFFSET TEE / SOUR GAS SERVICE



NOTES:

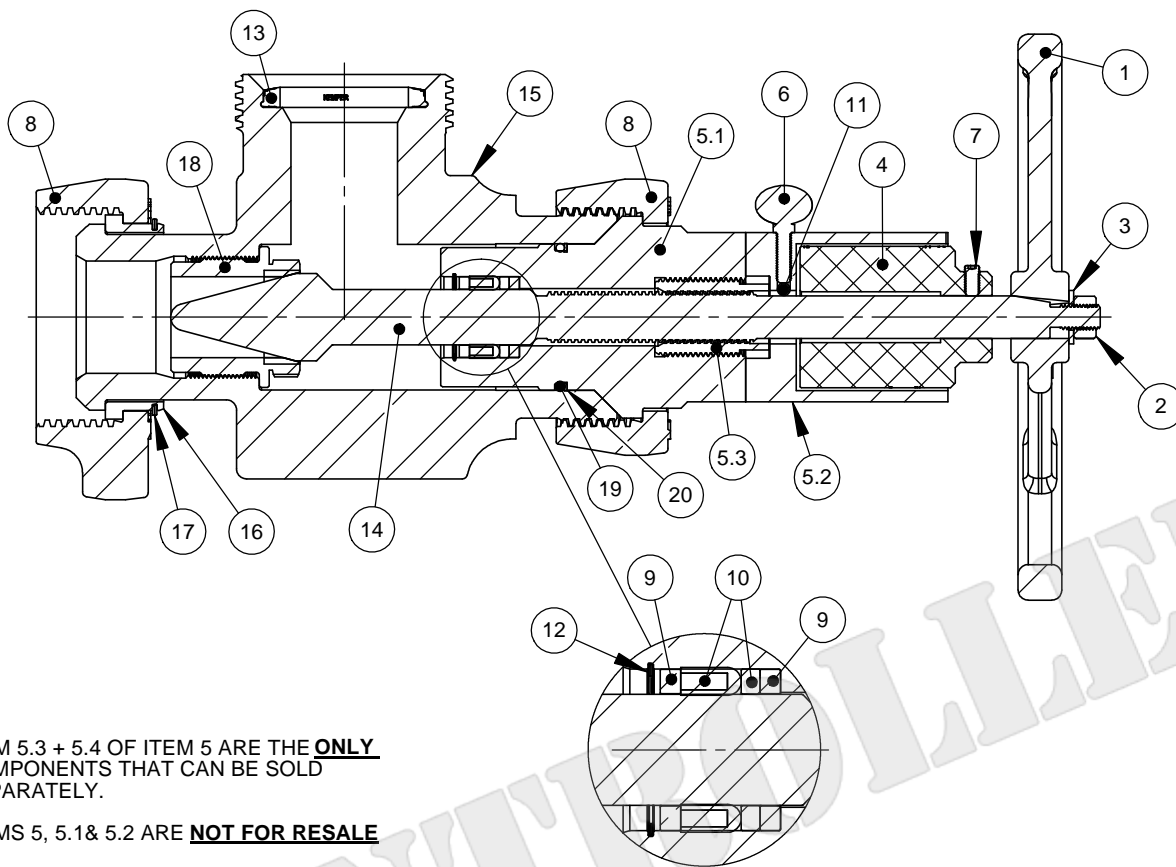
1. ITEM 5.3 + 5.4 OF ITEM 5 ARE THE **ONLY** COMPONENTS THAT CAN BE SOLD SEPARATELY.
2. ITEMS 5, 5.1 & 5.2 ARE **NOT FOR RESALE**
3. ITEM 5.4 IS NOT SHOWN IN MODEL

ITEM	DESCRIPTION	2" 1502	2" 1002	QTY.
1	* HANDWHEEL	2CHOKVLV-012	2CHOKVLV-012	1
2	* HEX NUT	2CHOKVLV-009	2CHOKVLV-009	1
3	* WASHER	2CHOKVLV-008	2CHOKVLV-008	1
4	* INDICATOR	2CHOKVLV-004	2CHOKVLV-004	1
5	* BONNET ASSY	92CHOKVLVBRM-A	-	1
5.1	* BONNET MALE BODY	92CHOKVLVBRM-1	-	1
5.2	* BONNET CAP	92CHOKVLVBRM-2	92CHOKVLVBRM-2	1
5.3	* STEM THREAD GUIDE	2CHOKVLVBRM-3	2CHOKVLVBRM-3	1
5.4	* SHCS 1/4"-20 BOLT	S-SH-1420-2.50-BO	S-SH-1420-2.50-BO	2
6	♂ * THUMB SCREW	2CHOKVLV-010	2CHOKVLV-010	1
7	♂ * GREASE FITTING	2CHOKVLV-007	2CHOKVLV-007	1
8	* HAMMER-LUG NUT	9150293	9120293	3
9	♂ * BACK SPACER	2CHOKVLV-006	2CHOKVLV-006	1
10	♂ * PACKING SET	2CHOKVLV-003	2CHOKVLV-003	1
11	♂ * FRONT SPACER	2CHOKVLV-005	2CHOKVLV-005	1
12	♂ * INTERNAL SNAP RING	2CHOKVLV-011	2CHOKVLV-011	1
13	UNION SEAL RING	V620295	V620295	3
14	* STEM	2CHOKVLV-001	2CHOKVLV-001	1
15	TEE BODY	92CHOKVLVTRFRFRM-M	-	1
16	SEGMENTED RING	150297	620297	2
17	RETAINING RING	150296S6	151596S6	2
18	VALVE SEAT	2CHOKVLV-002-X	2CHOKVLV-002-X	1
19	VALVE STOP	92CHOKVLVSRFRM	-	1

061713

ALL WEIGHTS ARE APPROXIMATE - EXACT SHIPPING WEIGHT MAY VARY

PARTS LIST FOR THE 3IN ADJUSTABLE CHOKE - STANDARD TEE



NOTES:

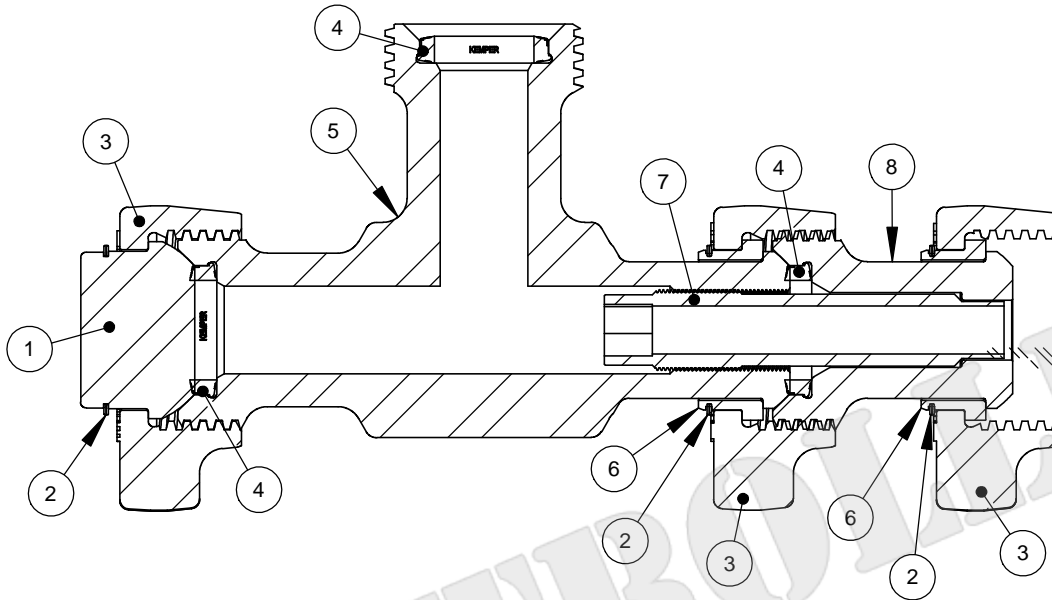
1. ITEM 5.3 + 5.4 OF ITEM 5 ARE THE **ONLY** COMPONENTS THAT CAN BE SOLD SEPARATELY.
2. ITEMS 5, 5.1 & 5.2 ARE **NOT FOR RESALE**
3. ITEM 5.4 IS NOT SHOWN IN MODEL

ITEM	DESCRIPTION	3" 1502	3" 1002	QTY.
1	* HANDWHEEL	3CHOKVLV-012	3CHOKVLV-012	1
2	* HEX NUT	2CHOKVLV-009	2CHOKVLV-009	1
3	* WASHER	2CHOKVLV-008	2CHOKVLV-008	1
4	* INDICATOR	3CHOKVLV-004	3CHOKVLV-004	1
5	* BONNET ASSY	3CHOKVLVBRM-A	-	1
5.1	* BONNET MALE BODY	3CHOKVLVBRM-1	-	1
5.2	* BONNET CAP	3CHOKVLVBRM-2	3CHOKVLVBRM-2	1
5.3	* STEM THREAD GUIDE	3CHOKVLVBRM-3	3CHOKVLVBRM-3	1
5.4	* SHCS 1/4"-20 BOLT	B-SHCS-1420-175-1-8-ZS	B-SHCS-1420-175-1-8-ZS	2
6	♂ * THUMB SCREW	2CHOKVLV-010	2CHOKVLV-010	1
7	INDICATOR SET SCREW	S-SS-3816-34-8-ZS	S-SS-3816-34-8-ZS	1
8	* HAMMER-LUG NUT	150393	120393	2
9	♂ * SPACERS	3CHOKVLV-005	3CHOKVLV-005	2
10	♂ * PACKING SET	3CHOKVLV-003	3CHOKVLV-003	1
11	NYLON BALL	2CHOKVLV-013	2CHOKVLV-013	1
12	♂ * INTERNAL SNAP RING	RR-S-I-2-CS	RR-S-I-2-CS	1
13	UNION SEAL RING	620395B	620395	1
14	* STEM	3CHOKVLV-001	3CHOKVLV-001	1
15	TEE BODY	3CHOKVLVTRMRFRF	-	1
16	SEGMENTED RING	150397	150397	1
17	RETAINING RING	150396S6	150396S6	1
18	VALVE SEAT	3CHOKVLV-002-3.19-2	3CHOKVLV-002-3.19-2	1
19	BONNET MALE BODY O-RING	0339	0339	1
20	BONNET MALE BODY BACKUP O-RING	B0339	B0339	1

100213

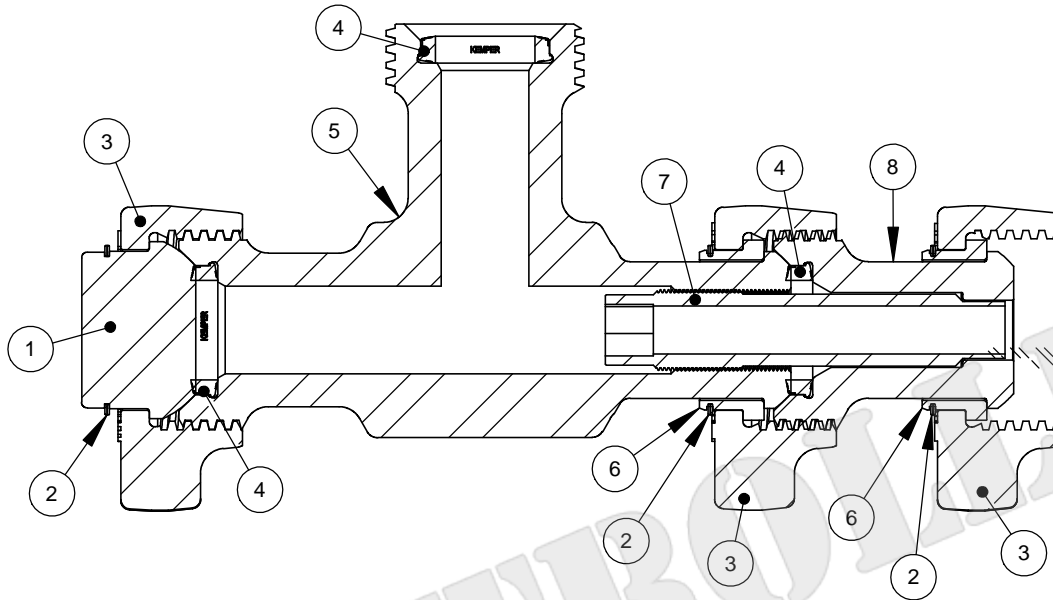
ALL WEIGHTS ARE APPROXIMATE - EXACT SHIPPING WEIGHT MAY VARY

PARTS LIST FOR THE POSITIVE CHOKE - STANDARD TEE / STANDARD SERVICE



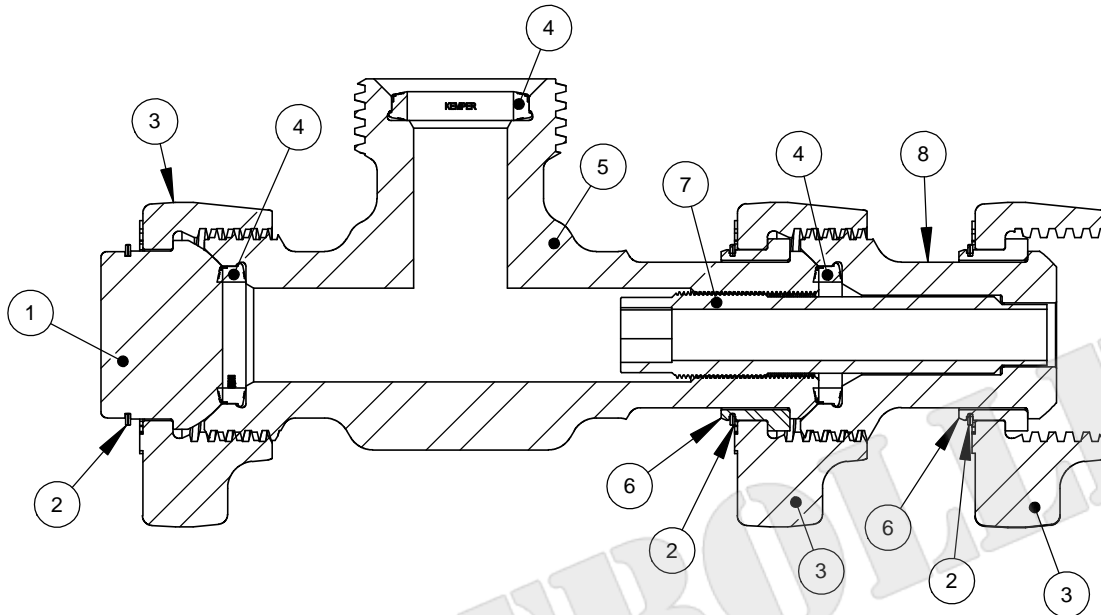
ITEM	DESCRIPTION	2" 1502	2" 1002	QTY.
1	MALE BULL	1502MB	1202MB	1
2	RETAINING RING	150296S6	151596S6	3
3	HAMMER-LUG NUT	150293	120293	3
4	UNION SEAL RING	620295B	620295B	3
5	TEE BODY	2CHOKVLVTRFRFRM		1
6	SEGMENTED RING	150297	620297	2
7	VALVE BEAN	2CHOKVLV-002-XX	2CHOKVLV-002-XX	1
8	VALVE STOP	2CHOKVLVSRFRM		1

PARTS LIST FOR THE POSITIVE CHOKE - STANDARD TEE / SOUR GAS SERVICE



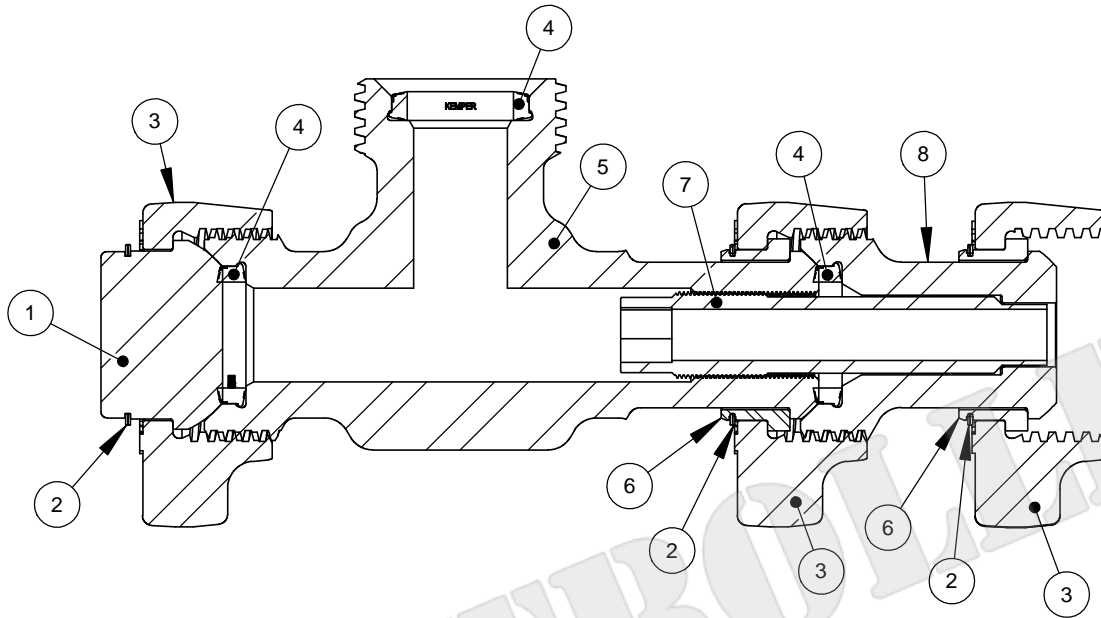
ITEM	DESCRIPTION	2" 1502	2" 1002	QTY.
1	MALE BULL	91502MB	91202MB	1
2	RETAINING RING	150296S6	151596S6	3
3	HAMMER-LUG NUT	9150293	9120293	3
4	UNION SEAL RING	V620295	V620295	3
5	TEE BODY	92CHOKVLVTRFRFRM		1
6	SEGMENTED RING	150297	620297	2
7	VALVE BEAN	2CHOKVLV-002-XX	2CHOKVLV-002-XX	1
8	VALVE STOP	92CHOKVLVSRFRM		1

PARTS LIST FOR THE POSITIVE CHOKE - OFFSET TEE / STANDARD SERVICE



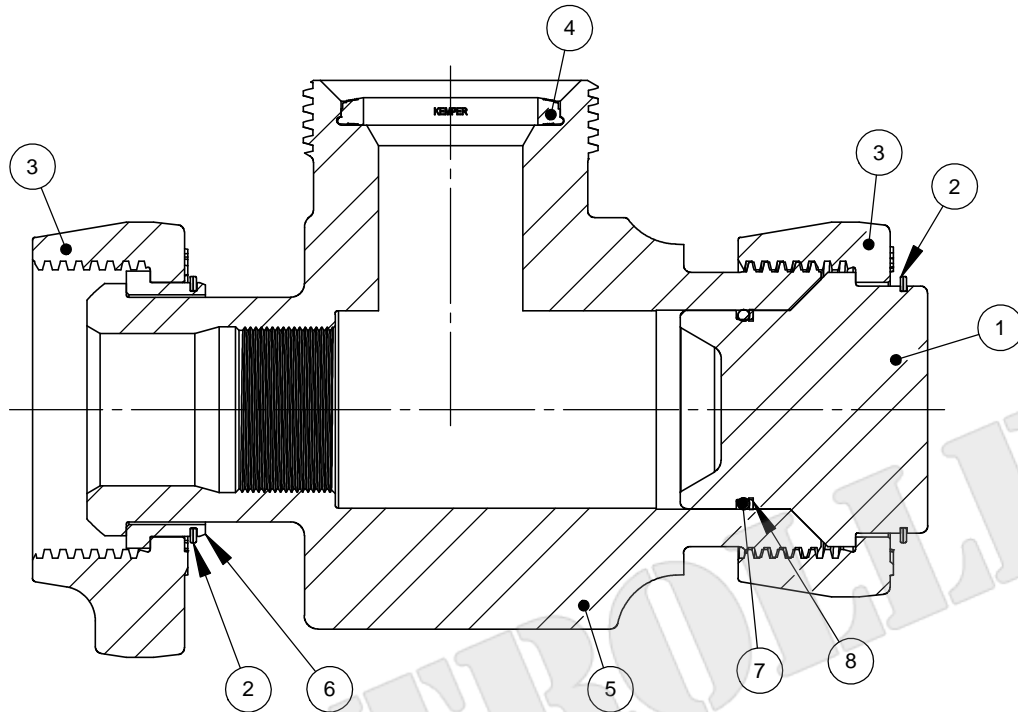
ITEM	DESCRIPTION	2" 1502	2" 1002	QTY.
1	MALE BULL	1502MB	1202MB	1
2	RETAINING RING	150296S6	151596S6	3
3	HAMMER-LUG NUT	150293	120293	3
4	UNION SEAL RING	620295B	620295B	3
5	TEE BODY	2CHOKVLVTRFRFRM-M		1
6	SEGMENTED RING	150297	620297	2
7	VALVE BEAN	2CHOKVLV-002-XX	2CHOKVLV-002-XX	1
8	VALVE STOP	2CHOKVLVSRFRM		1

PARTS LIST FOR THE POSITIVE CHOKE - OFFSET TEE / SOUR GAS SERVICE



ITEM	DESCRIPTION	2" 1502	2" 1002	QTY.
1	MALE BULL	91502MB	91202MB	1
2	RETAINING RING	150296S6	151596S6	3
3	HAMMER-LUG NUT	9150293	9120293	3
4	UNION SEAL RING	V620295	V620295	3
5	TEE BODY	92CHOKVLVTRFRFRM-M		1
6	SEGMENTED RING	150297	620297	2
7	VALVE BEAN	2CHOKVLV-002-XX	2CHOKVLV-002-XX	1
8	VALVE STOP	92CHOKVLVSRFRM		1

PARTS LIST FOR THE 3IN POSITIVE CHOKE - STANDARD TEE / STANDARD SERVICE



ITEM	DESCRIPTION	3" 1502	3" 1002	QTY.
1	BONNET MALE BULL	3CHOKVLVBRM-4	-	1
2	RETAINING RING	150396S6	150396S6	2
3	HAMMER-LUG NUT	150393	120393	2
4	UNION SEAL RING	620395B	620395	1
5	TEE BODY	3CHOKVLVTRMRFRF	-	1
6	SEGMENTED RING	150397	150397	1
7	BONNET MALE BULL O-RING	0339	0339	1
8	BONNET MALE BULL BACKUP O-RING	B0339	B0339	1



INTEGRAL FLOW LINE CHOKE VALVE

ADJUSTABLE CHOKE BONNET ASSEMBLY

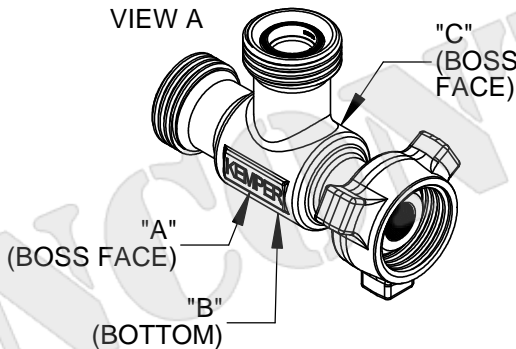
PART NO.	DESCRIPTION	WT.
* 2CHOKVLV-1-BON1-A	3" CHOKE VALVE BONNET ASSEMBLY FOR 1" SEAT	39.9 lbs
* 2CHOKVLV-3/4-BON1-A	3" CHOKE VALVE BONNET ASSEMBLY FOR 3/4" SEAT	39.9 lbs
* 92CHOKVLV-1-BON1-A	3" CHOKE VALVE BONNET ASSEMBLY SG FOR 1" SEAT	39.9 lbs
* 92CHOKVLV-3/4-BON1-A	3" CHOKE VALVE BONNET ASSEMBLY SG FOR 3/4" SEAT	39.9 lbs
* 3CHOKVLV-2-BON-A	3" CHOKE VALVE BONNET ASSEMBLY	68.6 lbs

ADJUSTABLE CHOKE - REPAIR KIT

PART NO.	DESCRIPTION	WT.
♂ 2CHOKVLV-BON1-KR	2" ADJUSTABLE CHOKE REPAIR KIT	0.5 lbs
♂ 92CHOKVLV-BON1-KR	2" ADJUSTABLE CHOKE SOUR GAS REPAIR KIT	0.5 lbs
♂ 3CHOKVLV-2-BON-KR	3" ADJUSTABLE CHOKE REPAIR KIT	0.8 lbs

* , ♂ - SEE PARTS LIST PAGE TO SEE WHAT INDIVIDUAL PARTS ARE INCLUDED

HOW TO ORDER



X	GAGE SIZE
0	NONE
1	1/8" NPT
2	1/4" NPT
3	3/8" NPT
4	1/2" NPT
5	9/16" AUTOCLAVE
6	3/4" AUTOCLAVE

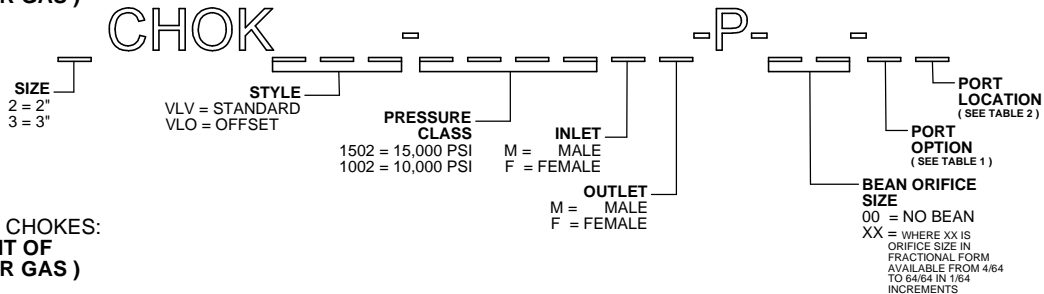
Y	LOCATION
0	NONE
1	BULL
2	TEE LOCATION "A"
3	TEE LOCATION "B"
4	TEE LOCATION "C"

TABLE 2
(SEE VIEW A FOR LOCATION REF)

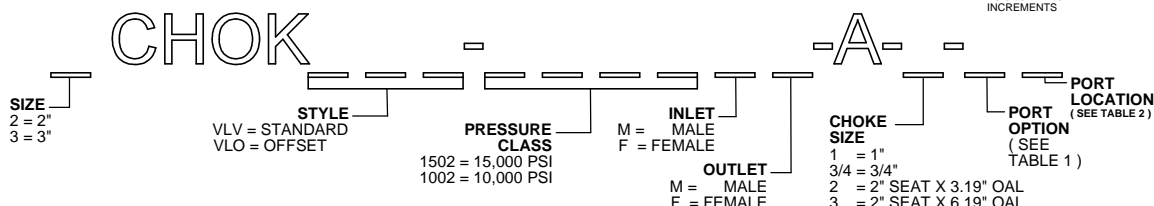
TABLE 1

MALE / NUT = WING END
 FEMALE = THREADED END

FOR POSITIVE CHOKES:
 (ADD "9" IN FRONT OF THE P/N FOR SOUR GAS)



FOR ADJUSTABLE CHOKES:
 (ADD "9" IN FRONT OF THE P/N FOR SOUR GAS)



NOTE: FIELD RE-BUILD OF RELIEF VALVES IS NOT RECOMMENDED.
 CONSULT FLOW CONTROL DIVISION FOR RE-BUILD AND RE-CERTIFICATION SERVICE.