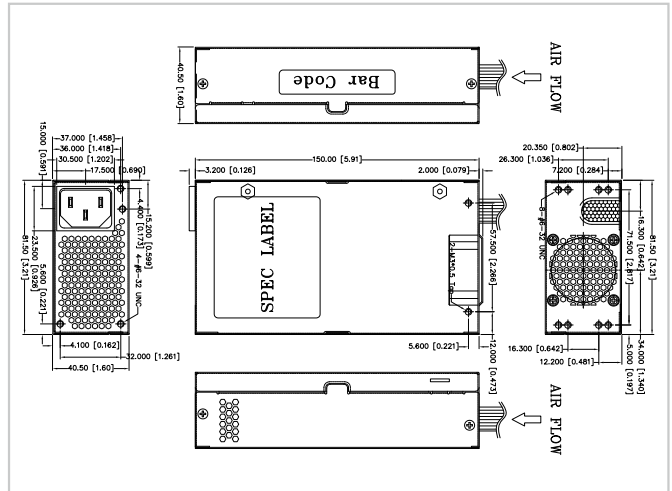


# ACE-A615C

150 W 1U Type ATX Power Supply



## Dimensions (Unit: mm)



## Specifications

Input Type	90~264 VAC Full Range				
Output Voltage	+3.3 V	+5 V	+12 V	-12 V	+5 Vsb
	10 A (0.1 A min.)	14 A (0.2 A min.)	10 A (0.6 A min.)	0.3 A	2.5 A
Efficiency	85%				
Temperature	Operating: 0°C ~ 50°C, Storage: -20°C ~ 80°C				
MTBF (hrs)	100,000				
Output Connector	20+4-pin ATX, 4-pin 12V CPU, 1 x FDD, 2 x HDD, 2 x SATA				
Dimensions (mm)	150 x 81.5 x 40.5				

## Ordering Information

Part No.	Description
ACE-A615C-R10	1U Flex ATX 150W Power Supply, 90~264VAC, ErP, CCL, RoHS

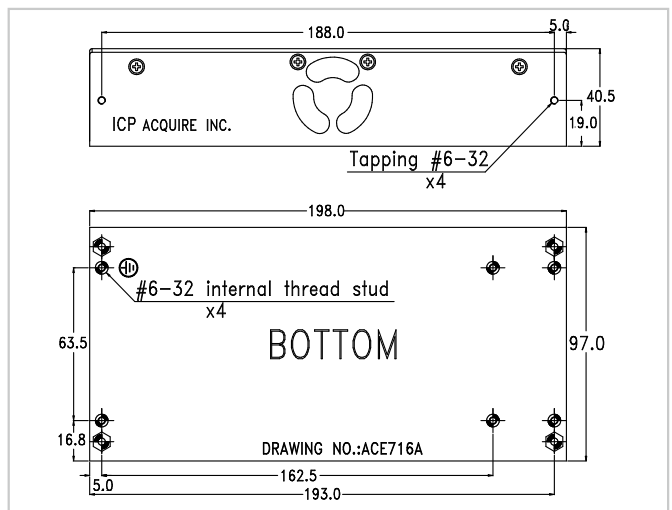
# 1U AC Input AT Type

# ACE-716A/AP

150 W 1U Type AT Power Supply



## Dimensions (Unit: mm)



## Specifications

Input Type	85 ~ 135 VAC, 180 ~ 265 VAC Auto Range (ACE-716A) 85 ~ 265 VAC Full Range (ACE-716AP)			
Output Voltage	+5V	+12V	-5V	-12V
	18 A (1 A min.)	4 A	0.5 A	1 A
Efficiency	75%			
Temperature	Operating: -20°C ~ 70°C (50°C ~ 70°C derating curve) Storage: -20°C ~ 85°C			
MTBF (hrs)	149,000			
Output Connector	Optional cable			
Dimensions (mm)	198 x 97 x 40.5			

## Ordering Information

Part No.	Description
ACE-716A-RS	150W AC-DC AT Power Supply
ACE-716AP-RS	150W AC-DC AT Power Supply, with PFC