

baelz 373-E45

DESCRIPTION

Electric linear actuator with load-dependent limit switches.

TECHNICAL SPECIFICATIONS

Actuator control: 3 point
 Stroke: 12, 16, 22, 40, 44 mm
 Electrical connection: 3 x M20x1.5
 Cover: plastic, yellow
 Manual operation: crank handle
 Actuator: Synchronous actuator

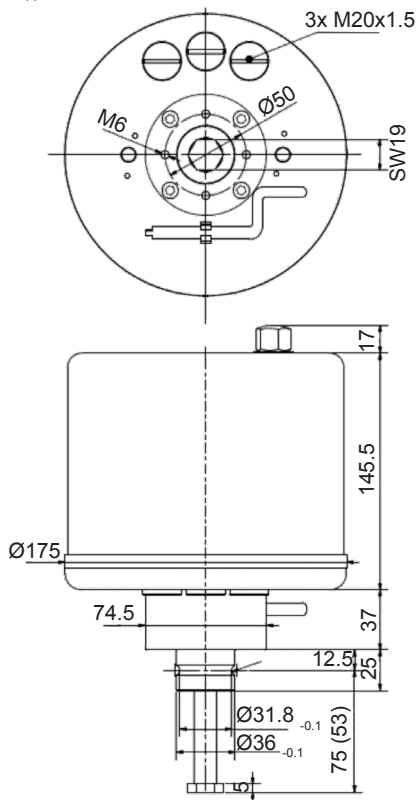
Environmental parameters:
 Temperature: 0 ... +50°C Relative humidity: 0 ... 75%

Yoke options:
 Aluminum yoke for DN15 ... DN125
 S21 - for fittings with Ø 10 mm spindle
 S21L - for fittings with Ø 16 mm spindle

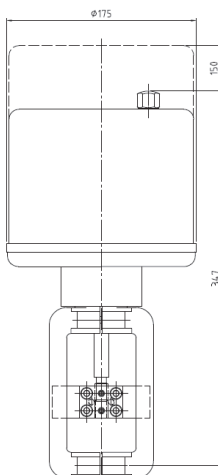
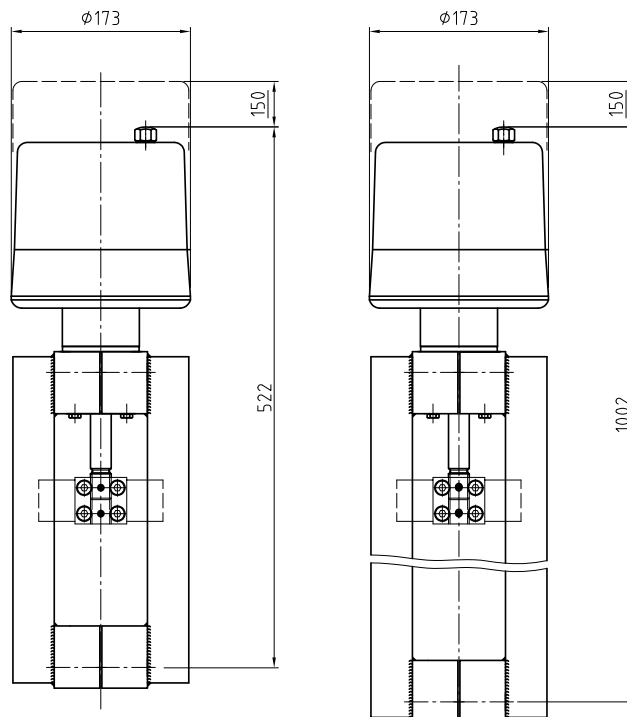
Galvanized steel yoke for DN150
 S41 - for fittings without cooling tube
 S41C - for fittings with cooling tube

| Type baelz 373 | Weight | Power | Speed | Power | Supply voltage | Protection type |
|-----------------|---------|-------|----------|-------|--------------------------------|-----------------|
| | (kg) | (N) | (mm/min) | (VA) | | |
| E45-40-15-S21/L | 8 | 4000 | 15 | 11 | 230 V, 115 V, 24 V 50/60 Hz | IP65 |
| E45-40-15-S41C | 15 / 18 | | | | | |

| Options | | |
|-----------|---|---|
| Option | Description | Remarks |
| 2EZ-FgA | 2 additional position switches with potentiometer | A= 5 kΩ or 1 kΩ Specify resistance when ordering |
| PEL-230 | Positioner for electric actuator 230V 50 / 60Hz | Specify 0(2)-10 or 0(4) -20 mA when ordering default = 0-10V Including 1 kΩ potentiometer Output signal = input signal |
| PEL-215 | Positioner for electric actuator 115V 50 / 60Hz | |
| PEL-24 | Positioner for electric actuator 24V 50 / 60Hz | |
| ESR-24VDC | Electronic position indicator | 4-20 mA Including 5 kΩ potentiometer. |
| Hzg-230 | Heating resistor for electric actuator 230V 50 / 60Hz | Power 15W For ambient temperatures -20°C ... + 50°C |
| Hzg-115 | Heating resistor for electric actuator 115V 50 / 60Hz | |
| Hzg-24 | Heating resistor for electric actuator 24V 50 / 60Hz | |
| Hzg-OS | Outdoor model: with 1.4571 stainless steel cover with internal insulation and actuator heating. | Power 15W Outdoor model for min. temperature - 40°C |



Dimensions
baelz 373-E45
with yoke S41 /
S41-C (mm)



Dimensions
baelz 373-E45
with yoke S21
(mm)

Wiring diagram for baelz 373-E45 electric actuator - Basic version

