



EVER s.n.c. di ING:  
Via del commercio 2/4  
26900 Lodi - Italy  
tel. +39-0371-412318  
fax +39-0371-412367  
mail

web [www.everelettronica.it](http://www.everelettronica.it)  
infoever@everelettronica.it

# MOTOR TECHNICAL SPECIFICATION

M-06-STP



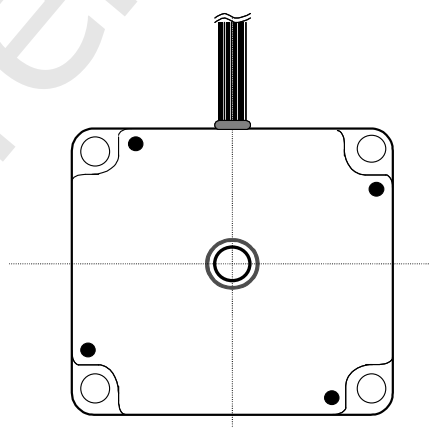
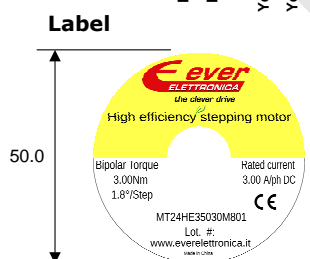
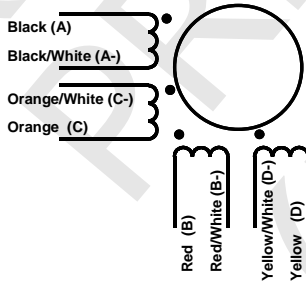
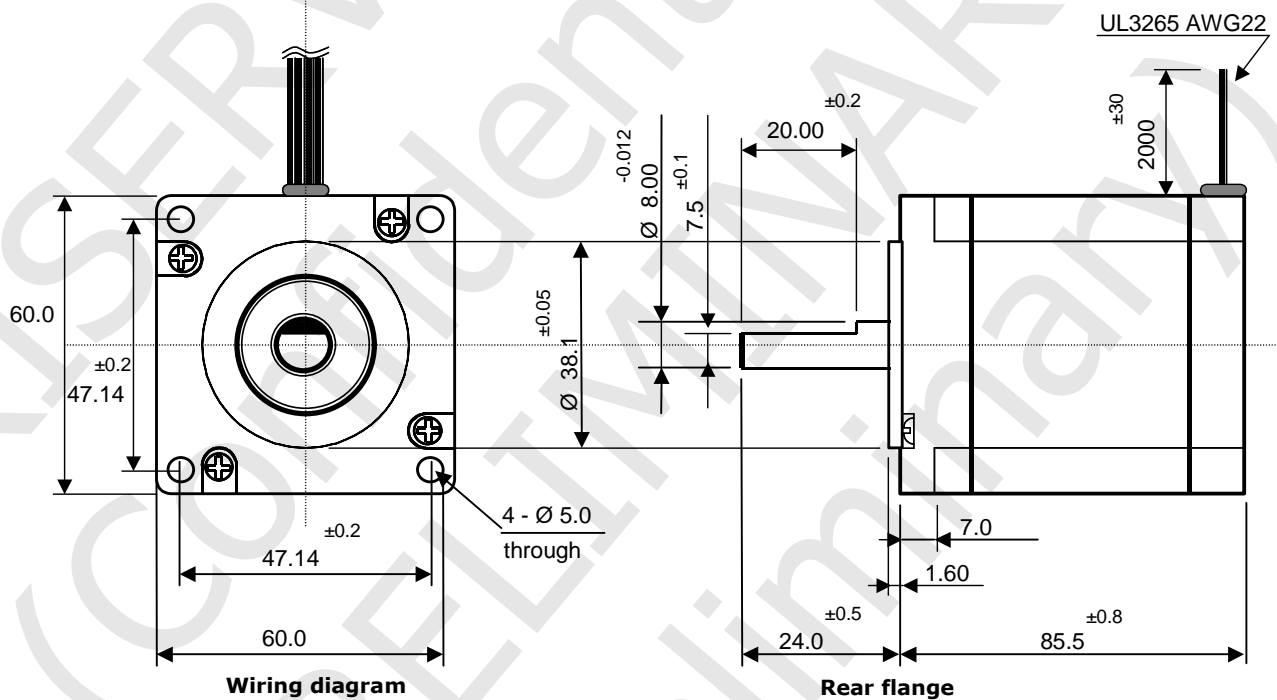
Red. : Bianchi Mario

Doc: **MT24HE35030M801 - 02a**

Date : 21/03/2018

Motor size	<b>24" - 60 mm square flange</b>	Step Angle	<b>1.8° ±5%</b>
Front Shaft	<b>24.00 mm length - Ø 8.0 mm with D-cut 7.5 x 20.0 mm</b>	Rear Shaft	<b>None</b>
Lead wires	<b># 8 lead wires UL3265 AWG22</b>	Lead Wire Length	<b>2000 mm ±30</b>
Rated Voltage	<b>5.40 Volt</b>	Rated Current	<b>3.00 Amps</b>
Resistance	<b>1.80 ohm ±10%</b>	Inductance	<b>3.00 mH ±20%</b>
Winding	<b>Unipolar for bipolar parallel or bipolar serie connections</b>	Bipolar Holding Torque	<b>3.00 Nm</b>
Rotor Inertia	<b>922 g.cm.<sup>2</sup></b>	Insulation class	<b>Class B, 130°C</b>
Dielectric strength	<b>500 Vac 1 minute</b>	Insulation resistance	<b>100 Mohm min.</b>
Ambient temperature	<b>-20°C ~ +40° C</b>	Temperature rise	<b>80K max</b>
Shaft thrust load	<b>15 N</b>	Shaft radial load	<b>75 N (at the shaft end)</b>

## Mechanical drawing (Dimensions in mm)



	Motor specification: STM00944-02a	Date: March, 21st 2018	Customer approval: _____
	Ever motor code: MT24HE35030M801		Customer code: _____