

# Vacuum/pressure switch cube shape

## VS-V-W-D PNP M8-4

Part no.:10.06.02.00113

<https://www.schmalz.com/10.06.02.00113>

Homepage > Vacuum Technology for Automation > Vacuum Components > Switches and System Monitoring > Electronic Vacuum and Pressure Switches > Vacuum and Pressure Switches VS-V/P-W-D > VS-V-W-D PNP M8-4

## Vacuum/pressure switch in cube shape with display and digital output signals



Measuring range: -1.0 ... 0.0 bar

Shape: Cube, digital display

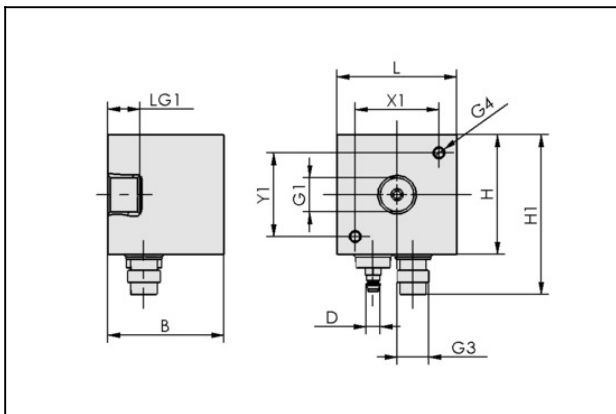
Type: Switches to plus

Electrical connection:

Male connect M8, 4 pole

Inputs/outputs: 2 digital

### Design Data



Attribute	Value
B	29 mm
D	3.4 mm
G1	G1/8"-F
G3	M8x1-M
G4	M3-F
H	30 mm
H1	40 mm
L	30 mm
LG1	8 mm
X1	21 mm
Y1	21 mm

# Vacuum/pressure switch cube shape

## VS-V-W-D PNP M8-4

Part no.:10.06.02.00113

<https://www.schmalz.com/10.06.02.00113>

### Technical Data

Attribute	Value
Measured medium	Non-aggressive gases; dry, oil-free air
Measuring range	-1.0...0.0 bar
Measured-value display	3-digit 7-segment LED
Overpressure resistance	5 bar
Repeatability	± 1% of full-scale value
Hysteresis	Adjustable: 0 to 100% of set value or comparator mode
Inputs/outputs	2 digital
Switching capacity (max)	180 mA
Indication	2xLED
Electrical connection	Male connect M8, 4 pole
Connection	G1/8"-F
Voltage	10.8-30V DC
Current consumption	55 mA
Protection type IP	IP 40/65 (with hose)
Temperature influence	± 3% of full-scale value in the range 0 to 50°C
Operating temperature	0 ... 50 °C
Weight	25 g

---

### Accessories

## Vacuum/pressure switch cube shape

### VS-V-W-D PNP M8-4

Part no.:10.06.02.00113

<https://www.schmalz.com/10.06.02.00113>



#### **ASK B-M8-4 5000 K-4P**

Part no.10.06.02.00031

Connection cable

Interface Connection cable:

Fem connect M8, 4 pol

Cable length: 5000 mm

Interface Connection cable: Cable 4

Material: PUR-Cable



#### **ASK WB-M8-4 5000 K-4P**

Part no.10.06.02.00032

Connection cable

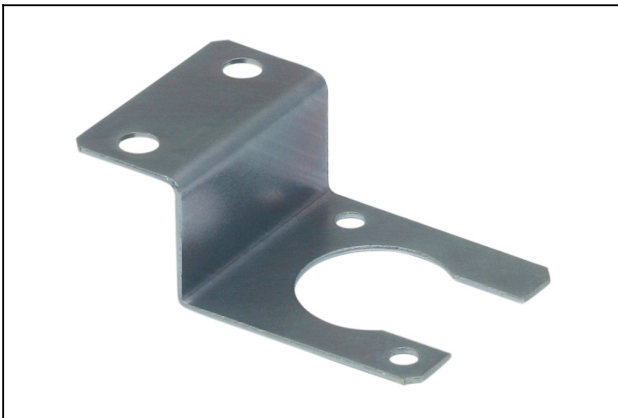
Interface Connection 1:

Elbow fem con M8, 4 pol

Cable length: 5000 mm

Interface Connection 2: Cable 4

Material: PUR-Cable



#### **BEF-WIN 16x43.5x29 1.5 VS**

Part no.10.06.02.00154

Mounting bracket

Width B: 16 mm

Height H: 43.5 mm

Length L: 29 mm

Wall thickness s: 1.5 mm

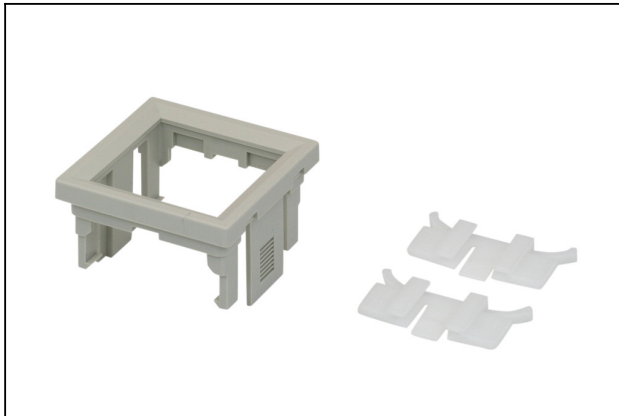
for: Vacuum switch

## Vacuum/pressure switch cube shape

VS-V-W-D PNP M8-4

Part no.:10.06.02.00113

<https://www.schmalz.com/10.06.02.00113>



### **EINB-RAx25.6x36 VS**

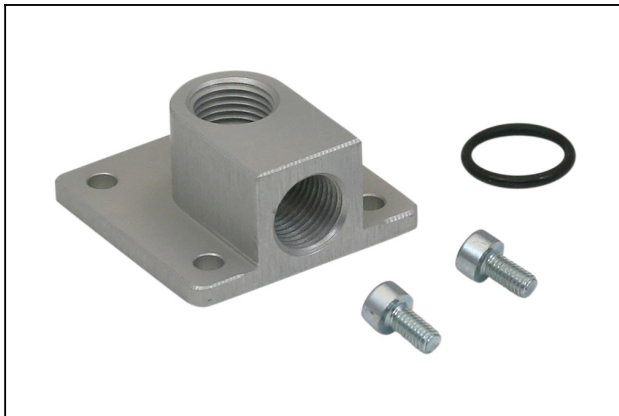
Part no.10.06.02.00115

Mounting frame

Width B: 25.6 mm

Height H: 36 mm

for: Vacuum switch



### **FLAN-PL 30x14x30 VS AL-EL**

Part no.10.06.02.00116

Flange plate

Length: 30 mm

Width: 14 mm

Height: 30 mm

for: Vacuum switch

Material: Aluminium